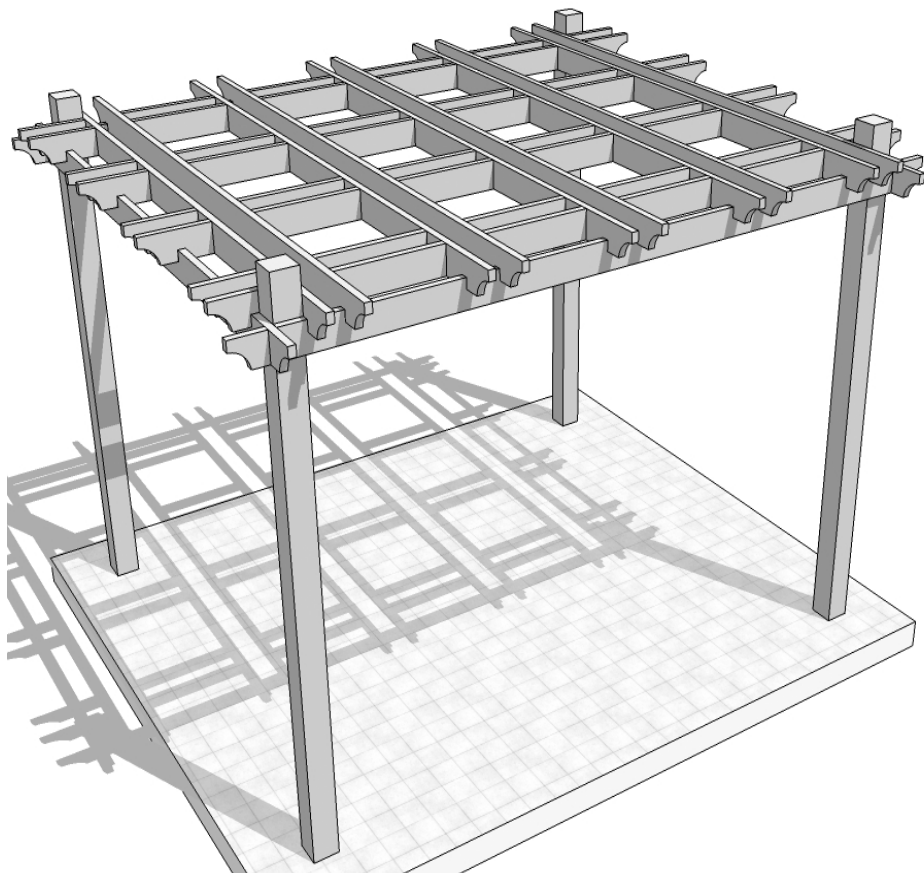


The Breeze is versatile enough to be enjoyed by the pool, on your deck or at a place in your backyard that you would love to escape to.

### The 10x12 Breeze Pergola Kit Includes:

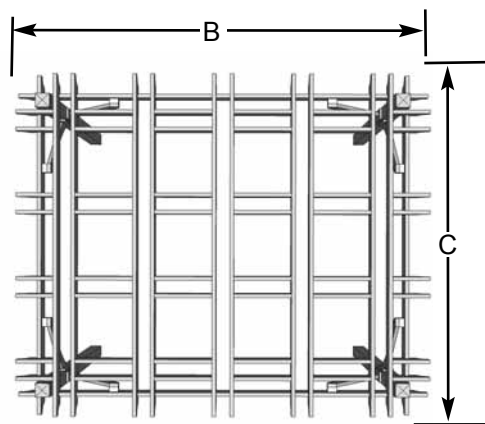
- Notched and Pre-drilled Girders
- Notched and Pre-marked Joists
- 4 - 5 1/2" x 5 1/2" Engineered Cedar Posts
- Western Red Cedar Construction
- Hardware Included (screws, nails and lag bolts)
- Step by Step Detailed Assembly Manual.
- \* Post Mounts not included.



### Specifications:

#### Dimensions:

- A: Outside Height = 108"  
 B: Total Outside Width = 162"  
 C: Total Outside Depth = 138"  
 D: Outside Post to Post Width = 144"  
 E: Outside Post to Post Depth = 120"  
 F: Height to Underside of Girder = 94"



#### Materials List:

- 5 1/2" x 5 1/2" Engineered Western Red Cedar Posts  
 1 1/2"t x 5 1/2"w Architect Knotty Cedar Girders & Joists  
 (All pieces are surfaced smooth)

\*Post Mounts not Included in kit.

Shipping Pkg. Size: 41"w x 165"l x 16"h  
 Shipping Weight: = 875 lbs

