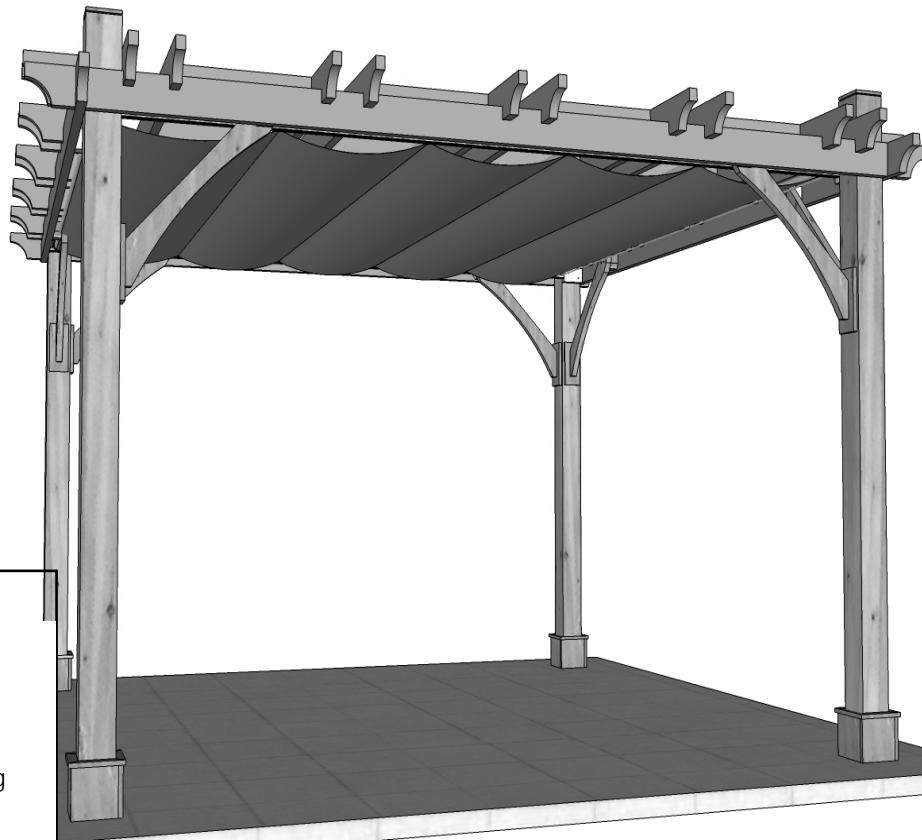


Item#BZ1212WRC

For a perfectly symmetrical look, try our 12x12 Breeze Western Red Cedar pergola with retractable canopy. Easy on the eyes, simple to operate!

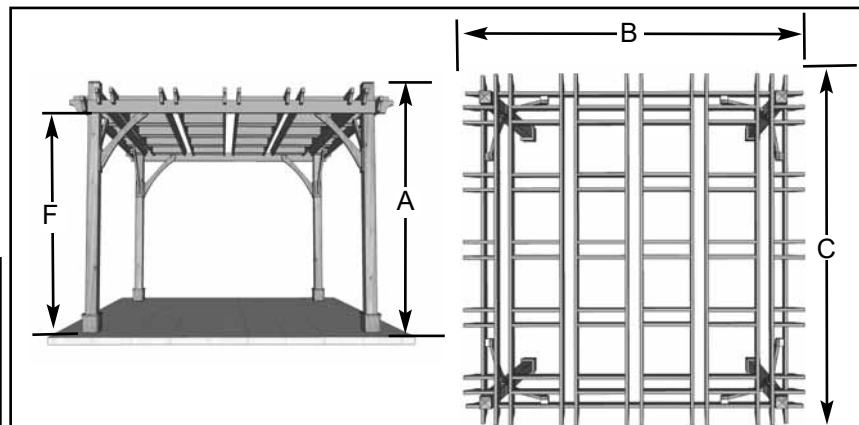


The 12x12 Breeze Pergola Kit Includes:

- Western red cedar construction is environmentally friendly, provides natural beauty and is resistant to decay and insects
- 144 in. D x 144 in. W outside post to outside post dimensions
- 4 engineered 5-1/2 in. L x 5-1/2 in. W western red cedar posts provide an overall assembled height of 108 in
- 162 in. D x 162 in. W overall dimensions including joist and girder overhang
- Includes notched and pre-marked western red cedar joists
- Includes notched and pre-drilled western red cedar girders
- Hardware included screws, nails and lagbolts, some stainless steel hardware
- 4 sets of post skirting manufactured from western red cedar to conceal post mount hardware included
- Assembly time is approximately 6-8 hours for 2 persons depending on skill level
- Western red cedar is naturally resistant to decay and insects
- Product ships unstained
- Accepts a wide range of finishes to help you create a personalized look
- Made entirely with renewable resources
- Minimal tools required and hardware included

The 12x12 Retractable Canopy Kit Includes:

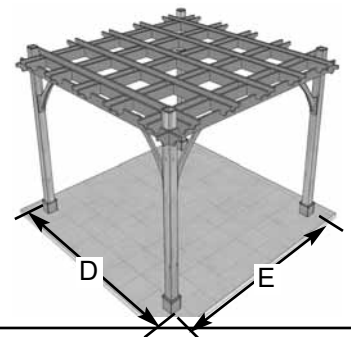
- Unique patented design
- Dual track system
- Independent laterally tensioned tracking wheels
- Fixed magnetic tracking wheel housings ensures canopy fabrics stay together when retracted
- Black anodized aluminum Tracks and Wings- Rust proof
- Black plastic injected molded tracking wheels and bearings – Rust proof
- Harbor-Time canopy fabric. Acrylic –coated polyester material ideal for harsh wet environments. Highly water repellent
- Pull handle with marine grade pull rope
- Withstands wind speeds of 60 mph when canopy fully extended
- Fabric can be cleaned with light soap and pressure washed
- 5 year limited warranty
- 1 hour assembly time
- Minimal tools required and hardware included
- Check with your local building, zoning and neighborhood association to obtain all applicable permits before ordering



Dimensions:

- A: Outside Height = 108"
- B: Total Outside Width = 162"
- C: Total Outside Depth = 162"
- D: Outside Post to Post Width = 144"
- E: Outside Post to Post Depth = 144"
- F: Height to Underside of Girder = 94"

*Post Mounts not Included in kit.



Shipping Pkg. Size: 41"w x 18"h x 165"l

Shipping Weight: = 1050 lbs