



12x16 Space Maker Garden Shed with Cedar Roof Assembly Manual

Revision #1.3
Mar 8, 2022

Thank you for purchasing a 12x16 SpaceMaker Garden Shed from Outdoor Living Today. Please take the time to identify all the parts prior to assembly.



Safety Points and Other Considerations

Our products are built for use based on proper installation and normal residential use, on level ground. Please follow the instruction manual when building your shed and retain the manual for future maintenance purposes.

Important Information:

- It is the sole responsibility of the customer to check with your local municipal or county by-laws before ordering this product to confirm it complies with building codes in your area.
- If the product is elevated, any structural and building code requirements are solely the customer's responsibility, and should be abided by.
- Customer agrees to hold Outdoor Living Today free of any liability for improper installation, maintenance and repair of any of our products.
- Snow load ratings vary by geographical location. If heavy or wet snowfall occurs, it is advisable to sweep the snow off the roof(s).
- In high or gusty wind conditions it is advisable to keep the structure securely grounded.
- Have a regular maintenance plan to ensure screws, doors, windows and parts are tight.
- In the event of a missing or broken piece, call the Outdoor Living Today Customer Support Line @ 1-888-658-1658 within 30 days of the delivery of your purchase. It is our commitment to you to courier replacement parts, free of charge, within 10 business days of this notification. Replacement parts will not be provided free of charge after the 30 day grace period.
- All structures purchased from Outdoor Living Today are covered for a period of one year for defects in manufacturing and workmanship. Costs incurred for customer installations are not included.
- Failure to use supplied parts included in this kit could result in poor product performance and may void your warranty. Please contact Outdoor Living Today's Customer Toll Free Line if you plan to deviate from our written instructions.

What to do before my Shed arrives?



- Become familiar with this assembly manual and determine if you can complete the project yourself or will require a professional contractor.



- One helper is recommended to assist in constructing your shed. It generally takes two people 3 to 4 days to assemble a shed. If you're hiring a contractor, their rate should be in line with that duration of work.



- Clear the construction area and ensure a clear pathway for delivery when the freight company arrives. Remove all debris: roots, grass, rocks, etc.

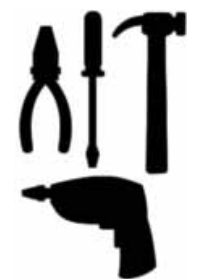


- Excavate the site. Contact your local utilities company to ensure there are no gas or electric lines buried in the area before digging.



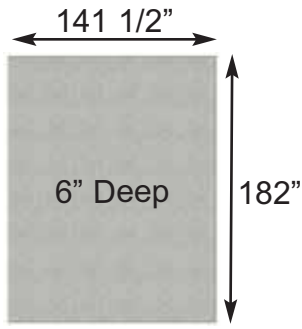
- Decide on the type of foundation you will be using:
 - Concrete slab, or
 - 4-6 inches of crushed gravel with paver stones or 4x4 stringers.

You can find the footprint for your shed on Page 3 of your Assembly Manual.

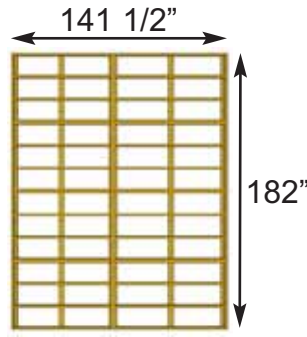


- If doing the assembly yourself, have all the necessary tools ready to go and in working condition. A list of required tools can be found after the parts list.

Foundation Types for 12x16 Garden Shed



Concrete Foundation



Floor Frame

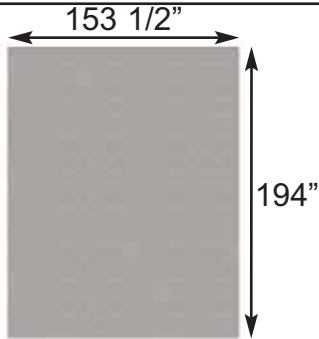


Completed Foundation

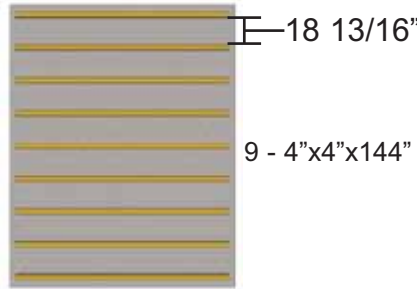
Concrete Slab Foundation:

- Slab must be at least the same size as assembled floor frame (141 1/2" x 182") or larger.
- 6" Deep foundation.
- 3.4 Cubic Yards of concrete required.
- A concrete slab will have the longest durability out of your foundation options.

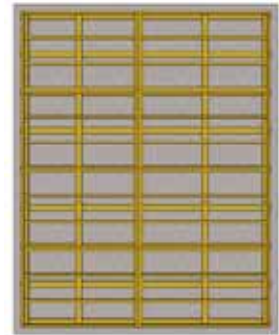
Once level, a concrete slab is the easiest surface to build on.



Gravel Foundation



Gravel Foundation with treated stringers

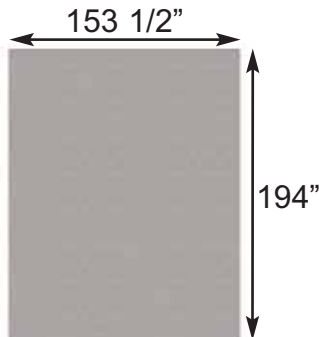


Completed Foundation

Gravel with 4x4 Pressure Treated Stringers:

- Excavate at least 6" deep, and 6" wider than floor frame on each side.
- 3.9 Cubic Yards of gravel required, approximately 36 wheelbarrows.
- 9 - 4x4 Pressure Treated Stringers 12' long required.
- Evenly spaced, with one at each end of floor frame.

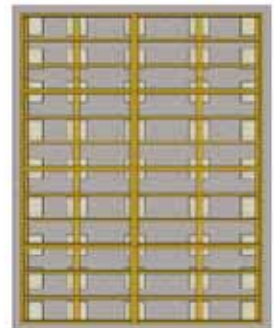
Saves money on materials, easy to level and work with.



Gravel Foundation



Gravel Foundation with Patio Pavers



Completed Foundation

Gravel with Patio Paver Stones:

- Excavate at least 6" deep, and 6" wider than floor frame on each side.
- 3.9 Cubic Yards of gravel required, approximately 36 wheelbarrows.
- 45 patio pavers (8" x 8" or larger).
- Center patio paver stones underneath floor runners and underneath seams in floor joists.

Patio paver stones are widely available from most landscape stores.

**Thank you for purchasing our 12x16 SpaceMaker Garden Shed.
Please take the time to identify all the parts prior to assembly.**

1. Floor Section	Parts List - Page 4-5	Steps ↓
Floors		1 - 11
4 - 45 1/2" x 75" - Floor Joist Frames - Large 4 - 45 1/2" x 66 1/2" - Floor Joist Frames - Small 8 - 1 1/2" x 3 1/2" x 72" - Floor Joists Large - Unattached 8 - 1 1/2" x 3 1/2" x 63 1/2" - Floor Joists Small - Unattached 2 - 1 1/2" x 5 1/2" x 56" - Wide Floor Runner 1 - 1 1/2" x 5 1/2" x 70" - Wide Floor Runner 4 - 1 1/2" x 3 1/2" x 38" - Floor Runners 8 - 1 1/2" x 3 1/2" x 72" - Floor Runners 4 - 5/8" x 45 1/2" x 75" - Floor Plywood Large 4 - 5/8" x 45 1/2" x 66 1/2" - Floor Plywood Small		
2. Wall Section		Steps ↓
Main Wall Panels		12 - 20
10 - 45 1/2" x 81 3/4" - Solid Wall Panels 1 - 45 1/2" x 81 3/4" - Solid Wall Panel With Extra Vertical Studs 11 - 1 5/8" x 2 1/2" x 45 1/2" - Bottom Wall Plates 2 - 34 3/4" x 81 3/4" - Narrow Window Wall Panels		
Door Headers		21 - 26
2 - 1 1/2" x 3 1/2" x 73" - Vertical Door Jambs 1 - 1 1/2" x 2 1/2" x 70" - Door Header Riser 1 - 1 1/2" x 7 1/4" x 70" - Door Header 2 - 1/2" x 7 1/4" x 70" - Door Header Spacer 1 - 67" long - Drip Edge with Bevel Siding attached		
Top Wall Plates & Gables		27 - 32
4 - 1 1/2" x 2 1/2" x 70 3/4" - Front & Rear Riser Plates 4 - 1 1/2" x 2 1/2" x 88 1/2" - Side Riser Plates 4 - 3/4" x 2 1/2" x 45" - Front & Rear Top Plates (angle cut ends) 2 - 3/4" x 2 1/2" x 51 1/2" - Front & Rear Top Plates (straight cut ends) 2 - 3/4" x 2 1/2" x 45 1/2" - Side Top Plates (angle cut edge) 4 - 3/4" x 2 1/2" x 65 3/4" - Side Top Plates (angle cut edge) 4 - Triangular Gable Walls (end tip tucked inside)		
3. Rafter and Roof Section		Steps ↓
Rafter Assembly		33 - 45
3 - 3/4" x 9 1/4" x 91" - Roof Ridge Boards 2 - 3/4" x 9 1/4" x 45 1/2" - Roof Ridge Boards 24 - 1 1/2" x 3 1/2" x 80 7/8" - Roof Rafters (angle cut ends) 4 - 1/2" x 4 1/2" x 91" - Soffits 4 - 3/4" x 80" x 19 3/4" - Triangular Roof Gussets		
Roof		46 - 57
4 - 51" x 83 3/4" - Outside Cedar Roof Panels (2 Left, 2 Right) 4 - 45 1/2" x 83 3/4" - Center Cedar Roof Panels 30 - Filler Shingles Long 6 - Filler Shingles Short 29 - Cedar Ridge Caps (28 Long, 1 Short)		

Continued on next page



















4. Trim & Miscellaneous Section	Steps ↓
<p>Outer Wall Trim & Door -----</p> <ul style="list-style-type: none"> 11 - 3/4" x 4 1/2" x 45 1/4" - Bottom Skirting (Bevel) - Solid Wall 2 - 3/4" x 4 1/2" x 33 3/4" - Bottom Skirting (Bevel) - Window Wall 1 - 3/4" x 4 1/2" x 68 1/2" - Bottom Skirting (Bevel) - Door 4 - 7/8" x 2 1/2" x 81 3/4" - Filler Trims 8 - 3/4" x 1 1/2" x 45 1/4" - Top Wall Trims 3 - 3/4" x 4 1/2" x 45 1/4" - Horizontal Gable Trims (Rear) - Bevel 1 - 3/4" x 4 1/2" x 68 1/2" - Horizontal Gable Trims (Door) - Bevel 2 - 3/4" x 4 1/2" x 32 1/4" - Horizontal Gable Trims (Window) - Bevel 10 - 1/2" x 2 1/2" x 87" - Side Trims 4 - 1/2" x 5 1/2" x 90" - Wide Corner Trims 2 - 1/2" x 2 1/2" x 85" - Rear Wall Trims 2 - 1/2" x 3 1/2" x 85" - Vertical Door Trims 	58 - 67
<p>Facia Trim -----</p> <ul style="list-style-type: none"> 8 - 3/4" x 1 1/2" x 40" - Facia Cleat 4 - 3/4" x 5 1/2" x 81 1/4" - Front and Rear Facia Angled 4 - 3/4" x 5 1/2" x 49 1/2" Side Facia 2 - 3/4" x 5 1/2" x 89 1/4" - Side Facia 2 - 9 1/2" x 7 3/8" - Pentagon Detail Plates 4 - 8" x 5 1/2" Facia Detail Plates 4 - 8" x 4 1/2" Front & Rear Detail Plates 	68 - 73
<p>Miscellaneous -----</p> <ul style="list-style-type: none"> 2 - 31 1/2" x 72" - Left & Right Doors (1 each) 2 - 1/2" x 2 1/2" x 72" - Interior Vertical Door Stops 1 - 1/2" x 2 1/2" x 68" - Interior Horizontal Door Stop 1 - 3/4" x 2 1/2" x 62 1/2" - Door Threshold 1 - 1/2" x 2 1/2" x 71" - Interior Door Flange 2 - Regular Window Inserts 2 - Regular Window Trim Pkgs 2 - Flower Box Kits 2 - Spare Bevel Siding 1 - Spare Lap Siding 2 - Spare Shingles - use to shim door, etc 	74 - 84

Advice: Wood has a tendency to split when screwing near the ends of a board. To prevent splitting, it is always recommended to pre-drill pilot holes before screwing into these areas.




12x16 SPACEMAKER WITH CEDAR ROOF HARDWARE SHEET

Hardware Kit (Provided)

- 2 1/2"  400 pcs
- 2"  245 pcs
- 1 1/4"  350 pcs
- 2"  39 pcs
Black Headed
- 3/4"  24 pcs
Silver
- 3/4"  23 pcs
Black Headed
- 1 1/2"  700 pcs
Finishing
- 1 1/2"  80 pcs
Shingle
-  2 pcs
Square Drive Bit
-  90° Metal Bracket (8)
-  Y6 - Cane Bolt
-  Tee Hinge x6
-  Pull Handle x 2
-  Black Drop Latch
-  Ridge Board Connector x 3
-  Double Rafter Bracket x 6 (22°)
-  Single Rafter Bracket x 8 (22°)
-  x 2
Silicon Caulking

Tools Required (Not Provided)

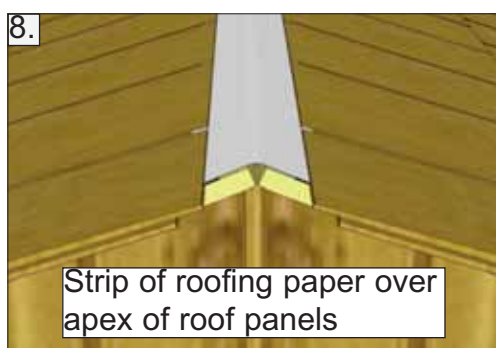
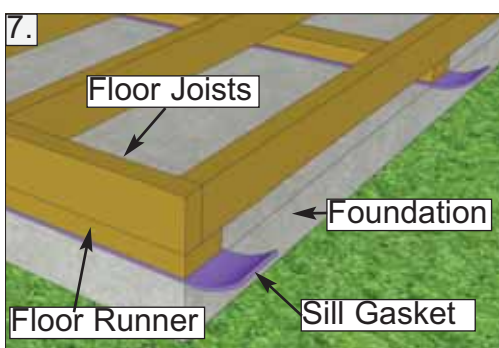
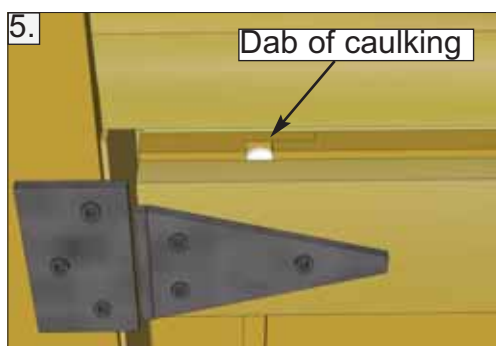
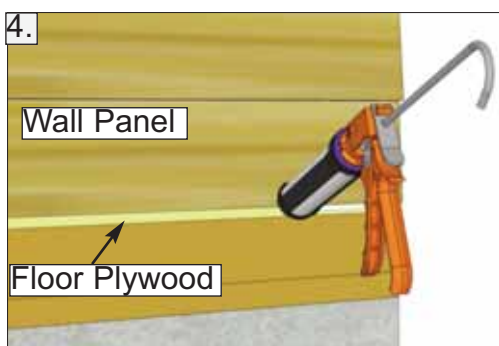
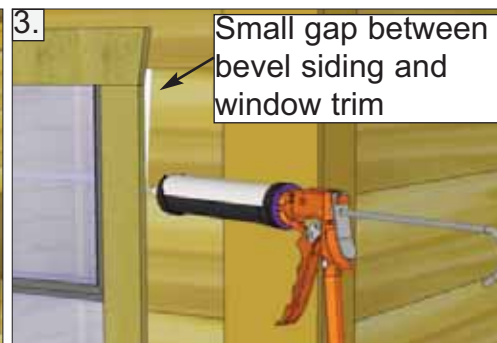
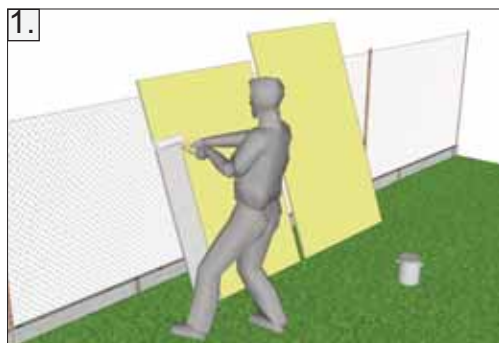
-  Hammer
-  Screw Gun/Drill
-  Tape Measure
-  Wood Clamp
-  Caulking Gun
-  Level
-  Pliers
-  Ladder
-  1/8" Drill Bits

Safety Equipment Required (Not Provided)

-  Safety Glasses
-  Work Gloves

Before/During Assembly:

- 1.) Paint each face and edge of your plywood floor with a latex exterior paint.
- 2.) Caulk wall seams if gaps appear.
- 3.) Caulk around window framing.
- 4.) Caulk perimeter between floor plywood and bottom wall plate.
- 5.) Caulk channels in lap siding at the top of your door above the trim, just a drop in each channel.
- 6.) Caulk edge of door threshold (if applicable).
- 7.) Optional: Install a Sill Gasket between floor runners and foundation.
- 8.) Optional: Install an 8" strip of roofing paper below Cedar Ridge Caps for Cedar Roof Sheds.



Routine Maintenance:

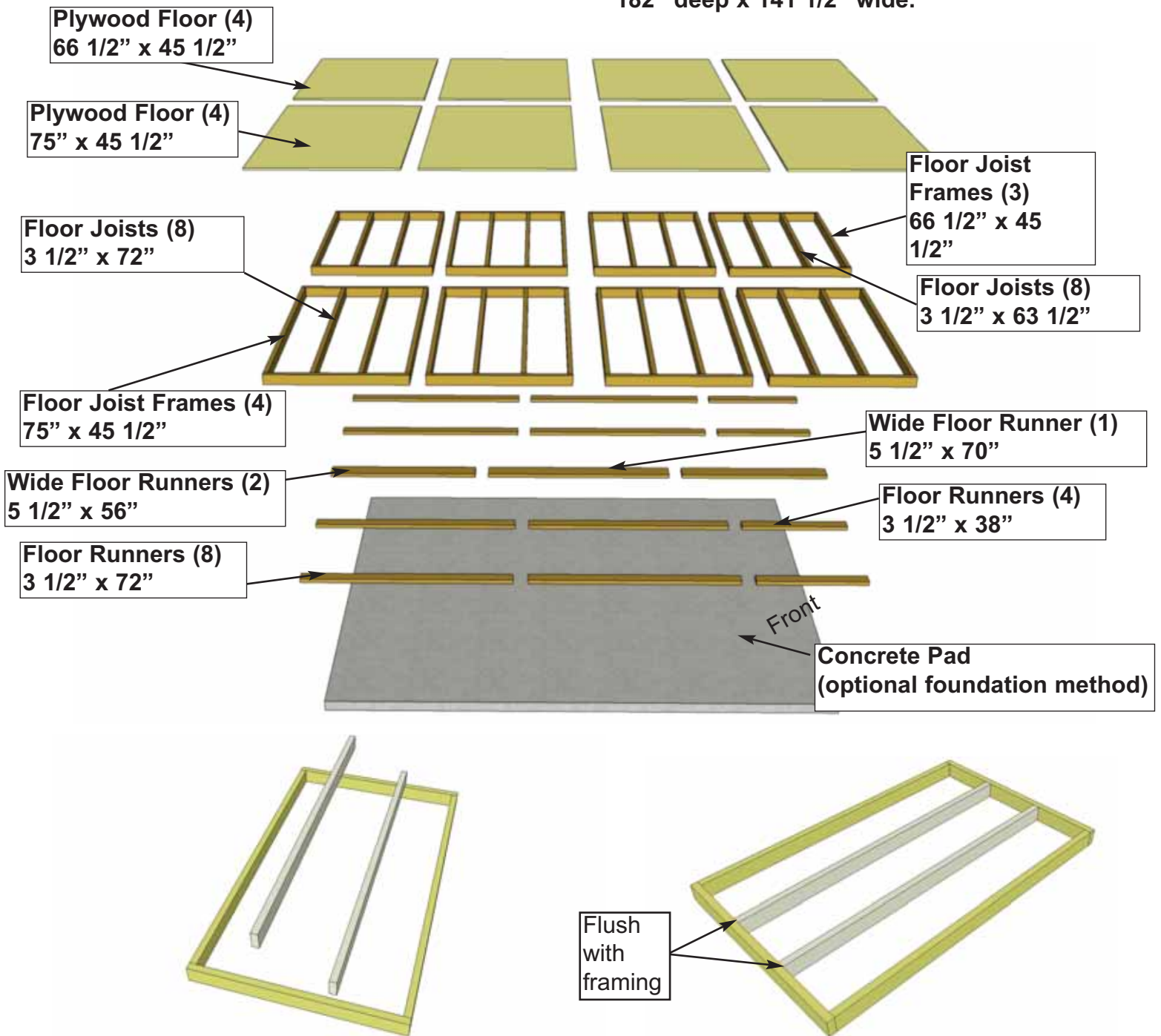
- Routinely check all fasteners are tight (ex. Door Hinges, Nails)
- Brush off dirt from walls.
- Brush off snow from roof regularly.
- Routinely remove needles and leaves from roof.

Painting/Staining

- Your cedar shed, if left untreated, will weather to a silvery grey colour.
- Painting or staining your structure is highly recommended and will prolong the life of your shed.
- You do not need to wait to paint or stain your shed, the wood in your kit has been dried and can be stained or painted immediately.
- Consult your local paint store for the best paint or stain for cedar.
- Optional: stain the inside of your shed. (Note: this will remove the fresh cedar smell.)

A. Floor Section

Exploded view of all parts necessary to complete Floor Section. Identify all parts prior to starting. Note, Floor Footprint is 182" deep x 141 1/2" wide.

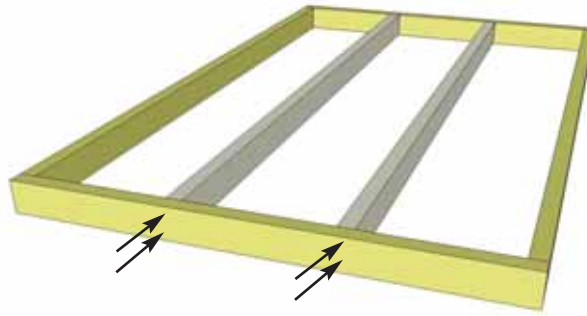


1. Lay out all **Floor Joist Frames** and **Floor Joists** on ground as illustrated above. Position 72" Floor Joists in 75" frames and 63 1/2" Floor Joists in 66 1/2" frames. Position Joists equally in Floor Joist Frame. Position Joist so flush with framing.

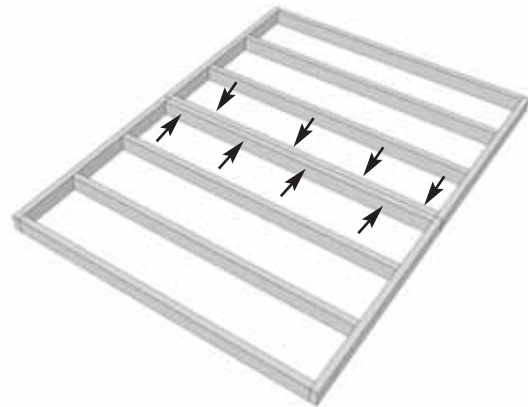
Parts (Steps 1 - 3)
Floor Joists - Large
 (1 1/2" x 3 1/2" x 72") x 8
Floor Joists - Small
 (1 1/2" x 3 1/2" x 63 1/2") x 8
Floor Joist Frames - Large
 (45 1/2" x 75") x 4
Floor Joist Frames - Small
 (45 1/2" x 66 1/2") x 4

Hardware (Steps 1 - 3)
S1 - 2 1/2" Screws
 x 58 total

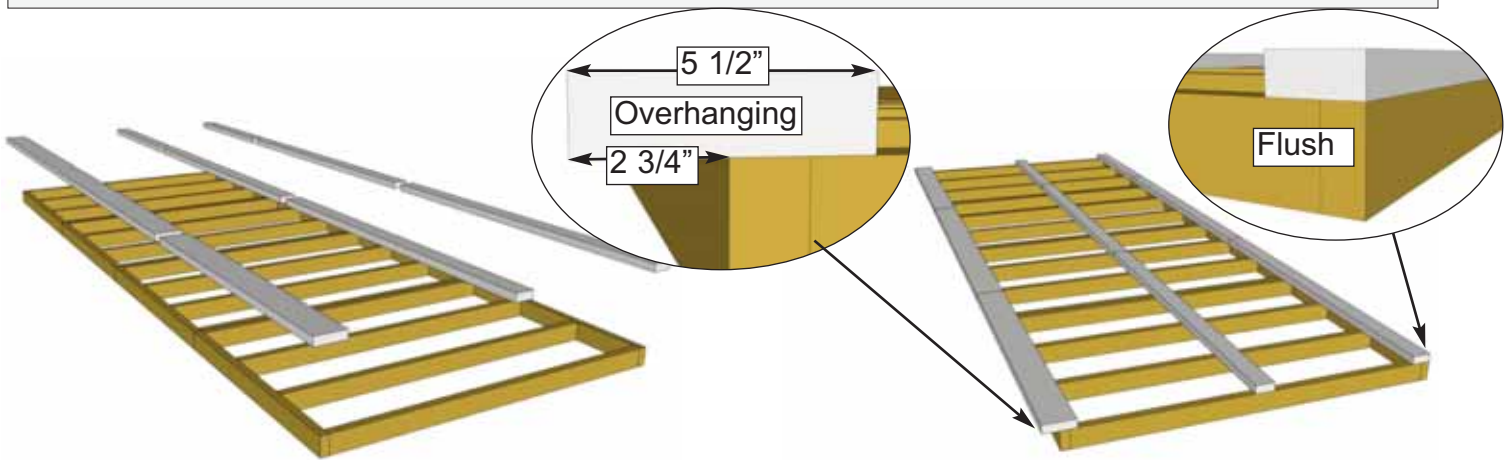
You can find the Square Drive Bit for the screws in with the Hardware Kit Bag.



2. When correctly positioned, attach each Joist with 4 - 2 1/2" screws (2 per end). Complete all Floor Frame and Joist connections. You can find the Square Drive Bit for the screws in with the Hardware Kit Bag.



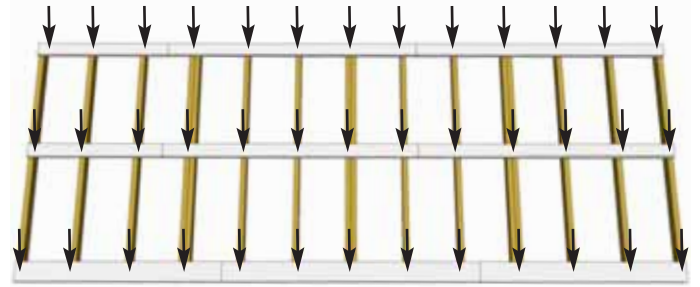
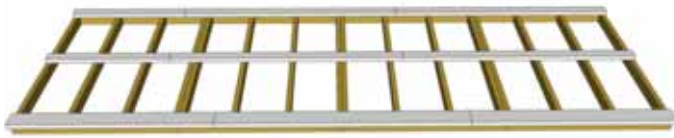
3. Lay out 75" Floor Frames as shown above. Attach each completed frame to the next with 8 - 2 1/2" screws (24 Total). Once complete assemble 66 1/2" Floor Frames the same way.



4. Locate Floor Runners and Wide Floor Runners. Lay out Floor Runners above Completed Floor Frame section as shown above. The 3 1/2" wide Floor Runner should be flush with the edge of the floor frame. 5 1/2" wide Floor Runner should overhang the edge of the floor Frame by 2 3/4". Third set of Floor Runners should be centered on Floor Frame.

Parts (Steps 4 - 9)
Wide Floor Runners
 (1 1/2" x 5 1/2" x 56") x 2
Wide Floor Runner
 (1 1/2" x 5 1/2" x 70") x 1
Floor Runners
 (1 1/2" x 3 1/2" x 38") x 4
Floor Runner
 (1 1/2" x 3 1/2" x 72") x 8

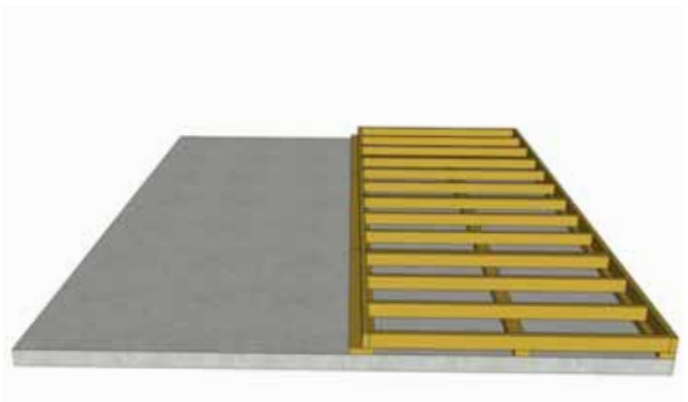
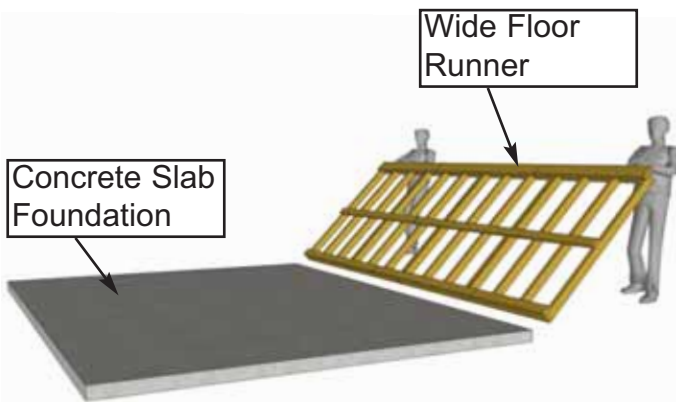
Hardware (Steps 4 - 9)
S1 - 2 1/2" Screws
 x 116 total



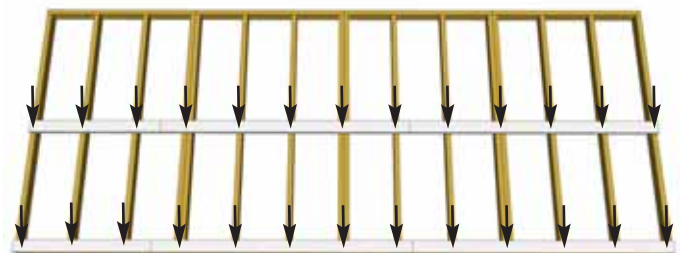
5. Attach **Floor Runners to Floor Frames** with **13 - 2 1/2" screws** per completed runner length (**39 Total**). For **Wide Floor Runner** use 4 screws in the 56" pieces and 5 screws in the 70" piece. For the 3 1/2" **Floor Runner** use 5 screws for the 72" pieces and 3 screws for the 38" pieces.

Foundations

Note: The floor will be flipped over and floor runners will sit on your foundation. It is important to note that having a level foundation is critical. Choosing a foundation will vary between regions. Typical foundations can be concrete pads or patio stones positioned underneath the floor runners.

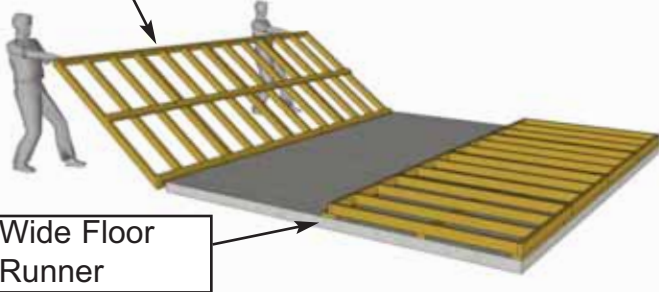


6. With some helpers, flip the floor section over so it rests on your foundation. **Wide Floor Runner** should rest in the center of your foundation. **Caution:** you will need 2 people to assist you. Be careful when laying floor down not to bend or twist floor. When in place, level floor completely.

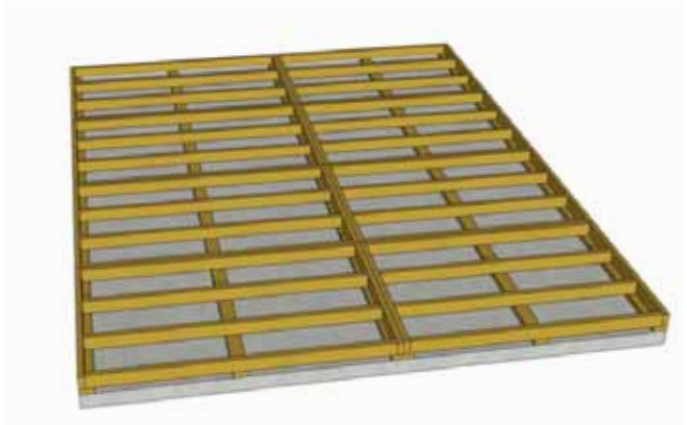


7. Lay out remaining **Floor Runners** on second set of floor frames (4x 72" Runners and 2x 38" Runners). Attach remaining runners with a total of **26 - 2 1/2" screws** as per **Step 5**.

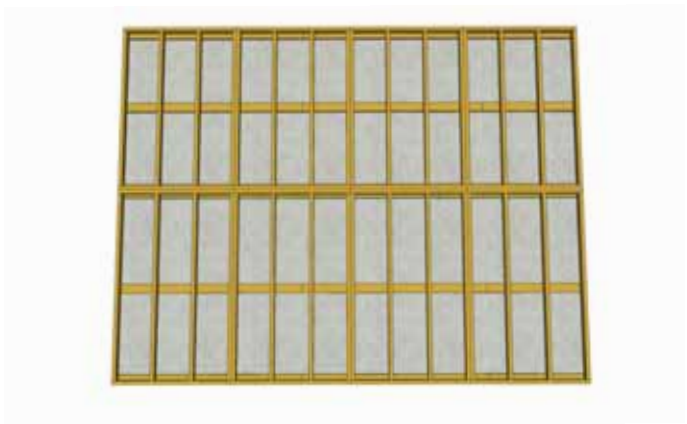
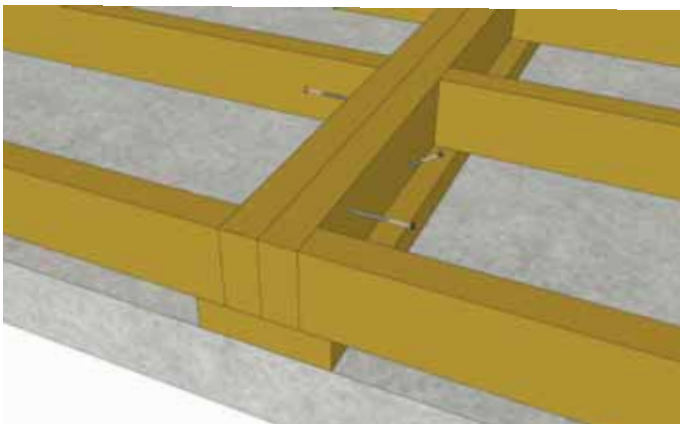
Edge without Floor Runner



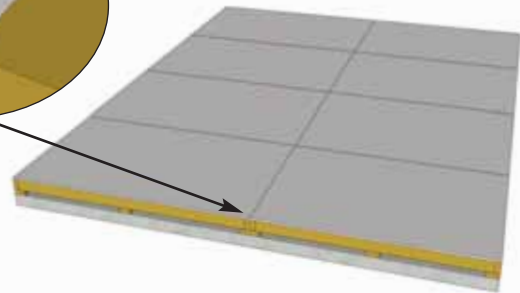
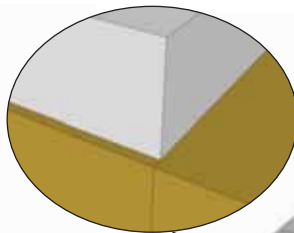
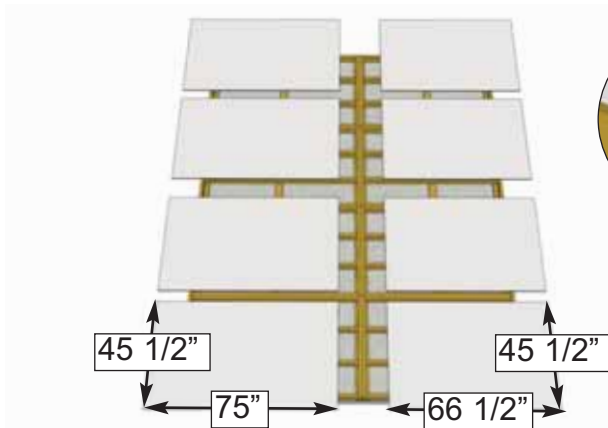
Wide Floor Runner



8. With a helper, flip remaining floor section over onto your foundation. Edge of frame without floor runner should land on wide floor runner.



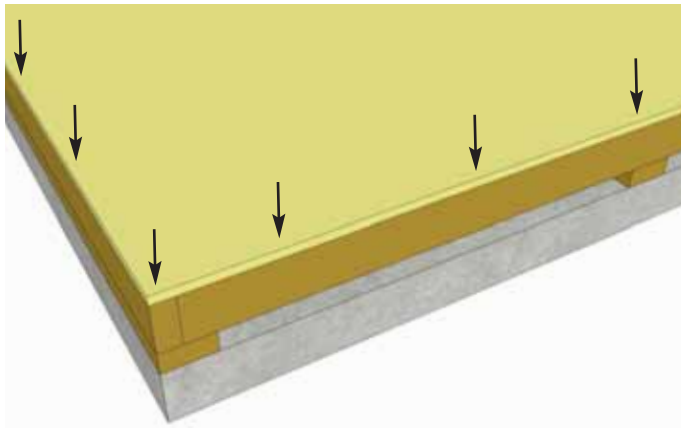
9. To attach floor sections together attach each **75" Frame** to **66 1/2" Frame** with **3 - 2 1/2" screws (36 Total)**. Use 2 screws on both sides to attach horizontally. On the 66 1/2" Frame side toenail one screw into the **Wide Floor Runner**.



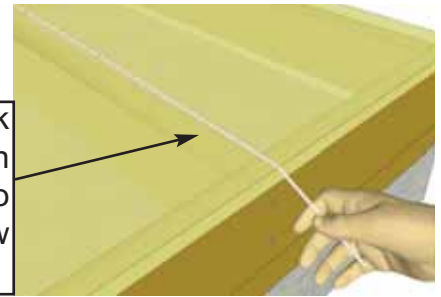
10. Position **Plywood Floor** pieces (8) on top of completed **Floor Joists**. Plywood will sit slightly back from edge of **Floor Joist Framing**.

Parts (Steps 10 - 11)
Floor Plywood - Large
 (5/8" x 45 1/2" x 75") x 4
Floor Plywood - Small
 (5/8" x 45 1/2" x 66 1/2") x 4

Hardware (Steps 10 - 11)
S2 - 1 1/4" Screws
 x 120 total

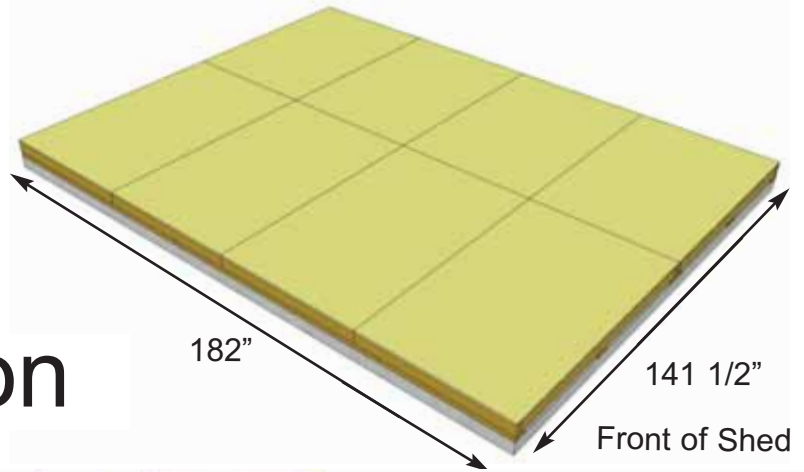


Hint: Use a chalk line to mark location of floor joists to determine screw placement.

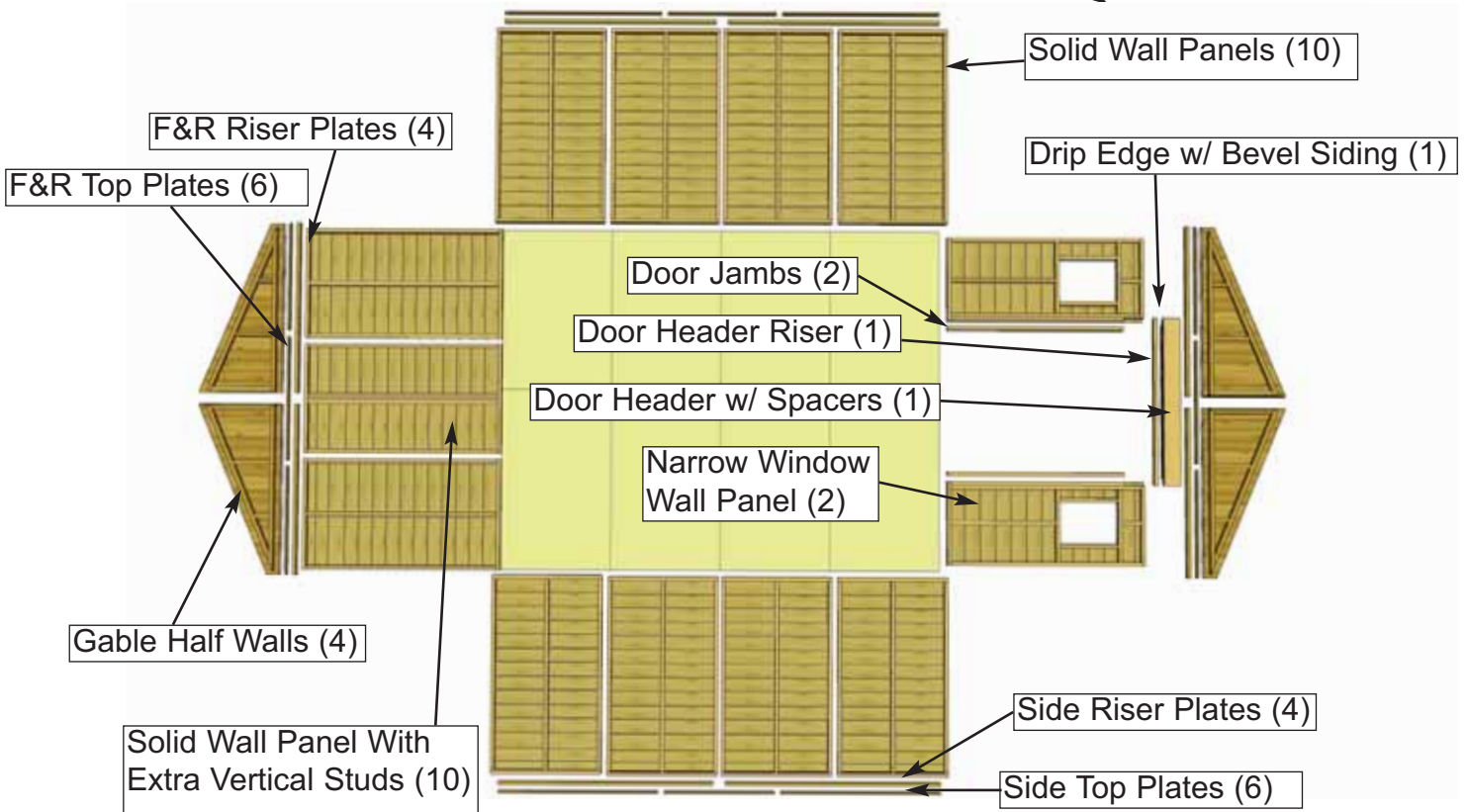


11. With **Floor Plywood** pieces in position, attach with **1 1/4" screws**. Use screws every 16" (approximately 120 total). The plywood is cut slightly smaller than floor framing. Keep plywood seams tight.

Important: Check to confirm that your floor is level prior to proceeding to the next step of wall assembly.

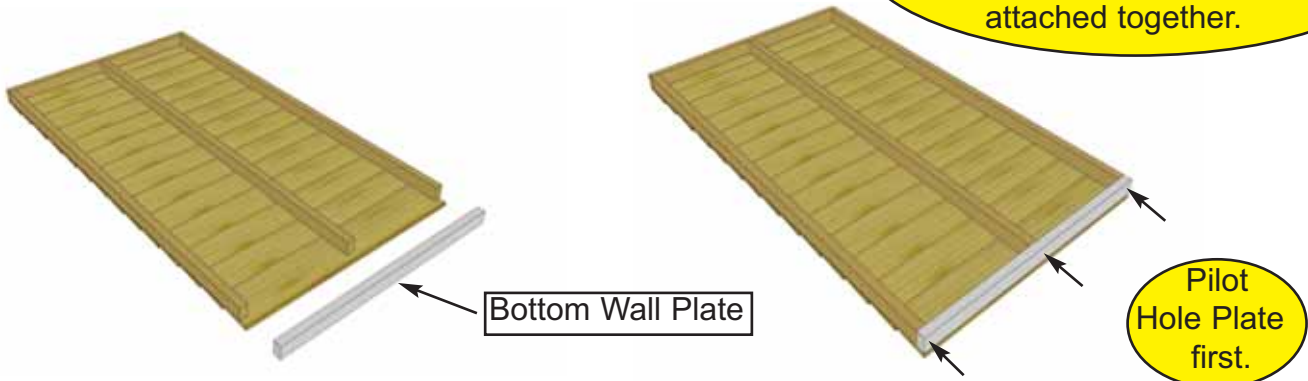


B. Wall Section



Important:

Pilot hole **ALL** 2x3 Wall Studs with 1/8" drill bit prior to screwing. This will make it much easier to attached together.

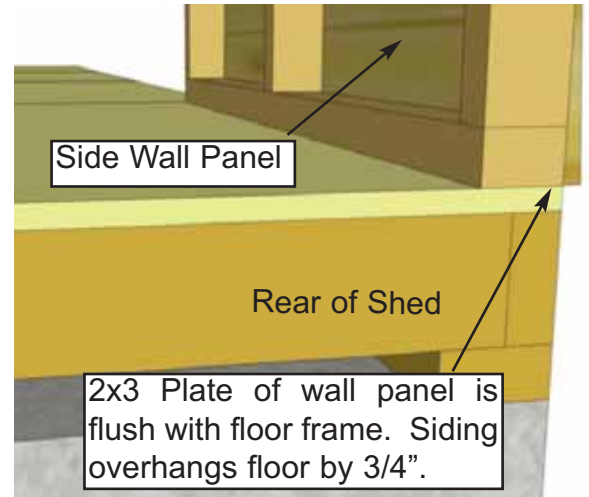
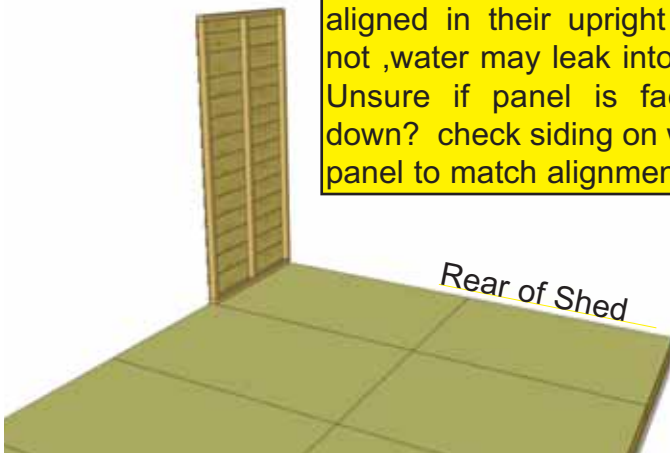


12. Starting with **Solid Wall Panels**, carefully lay panel face down. Position and attach **Wall Plate** to bottom of wall studs of each **Wall Panel** with **3 - 2 1/2" screws**. Position so plates are flush with framing. **Note:** Bottom Wall Plates may already be attached to some Solid Walls.

Parts (Step 12)
Solid Wall Panels
(45 1/2" x 81 3/4") x 10
Solid Wall Panel - Extra Studs
(45 1/2" x 81 3/4") x 1
Bottom Wall Plates
(1 1/2" x 2 1/2" x 45 1/2") x 11

Hardware (Step 12)
S1 - 2 1/2" Screws
x 33 total

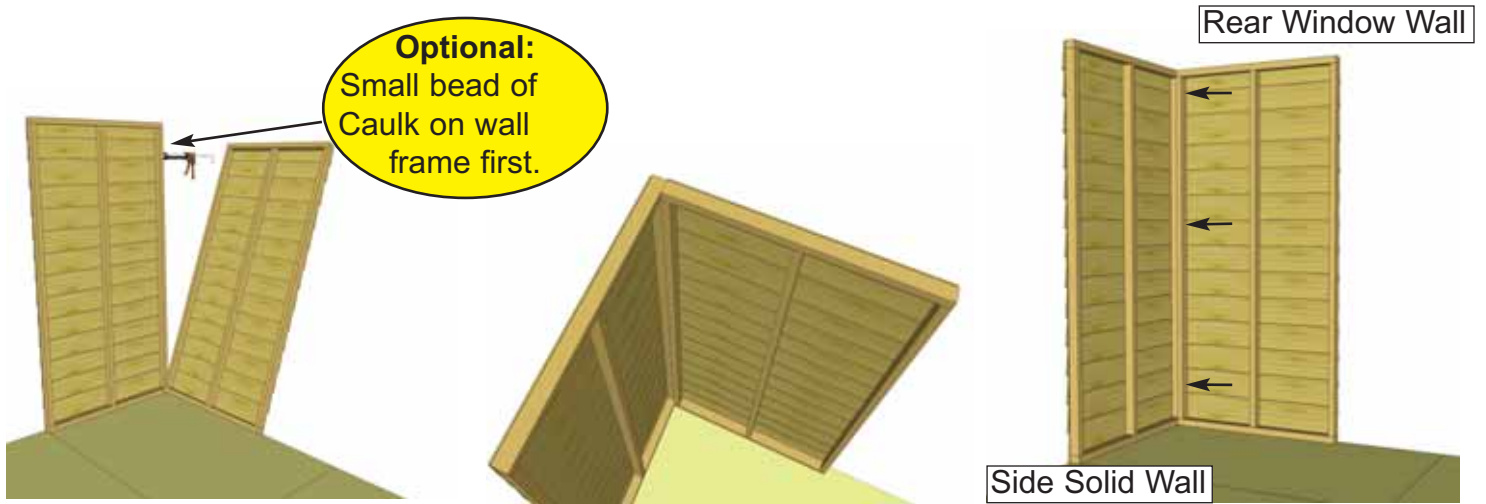
Important: Make sure all walls are aligned in their upright position. If not ,water may leak into your shed. Unsure if panel is facing up or down? check siding on window wall panel to match alignment.



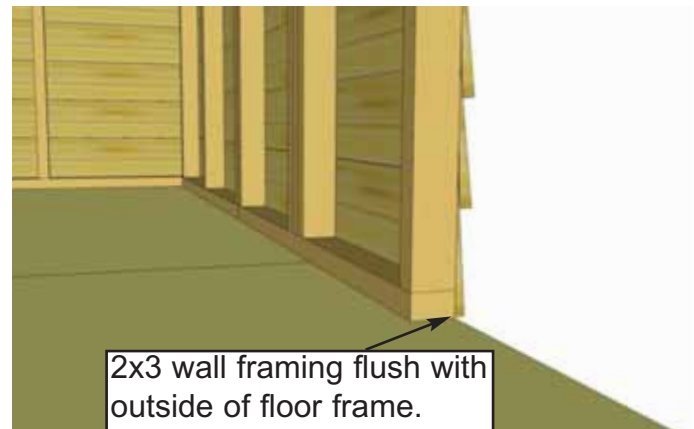
13. Starting at Rear Corner, position a **Solid Wall Panel** on top of plywood floor. Make sure panel is facing up. The **Side Wall Panels** will sit flush with floor frame with the front and rear panels sandwiched between them. **Note:** siding will overhang the floor by approx. 3/4".

Parts (Step 13)
Solid Wall Panels
(45 1/2" x 81 3/4") x 10
Solid Wall Panel - Extra Studs
(45 1/2" x 81 3/4") x 1
Narrow Window Wall Panels
(34 3/4" x 81 3/4") x 2

Hardware (Step 13)
S1 - 2 1/2" Screws
x 39 total



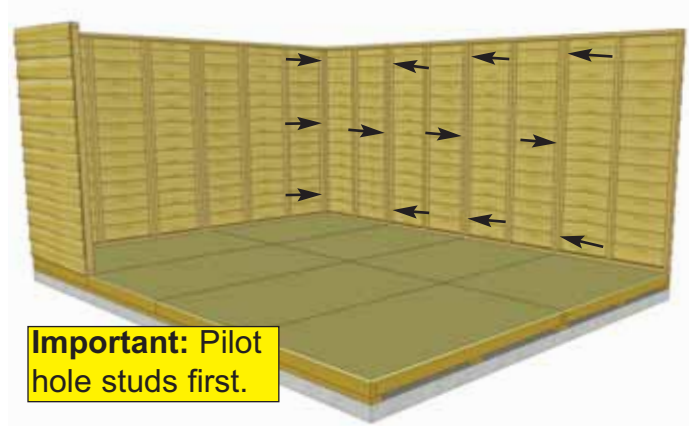
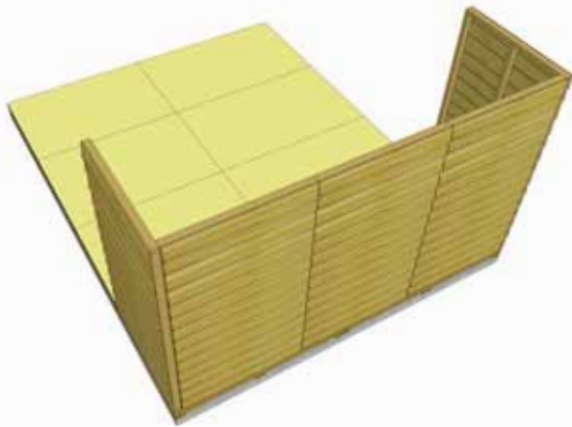
14. Position rear **Wall Panel** into place on plywood floor. Butt both vertical wall studs of side and rear walls together and attach with **3 - 2 1/2" screws**. Screw at the bottom, middle and top of stud to secure properly.



15. With the corner wall attachment complete, position a Rear **Solid Wall Panel With Extra Vertical Studs** so bottom 2x3 wall framing is sitting flush with outside floor frame. Wall siding should overhang floor by approximately 3/4". Attach rear wall panel studs together as per **Step 14**.

16. Position the final Rear Panel on the floor. Position vertical wall studs together and attach as per **Step 14**.



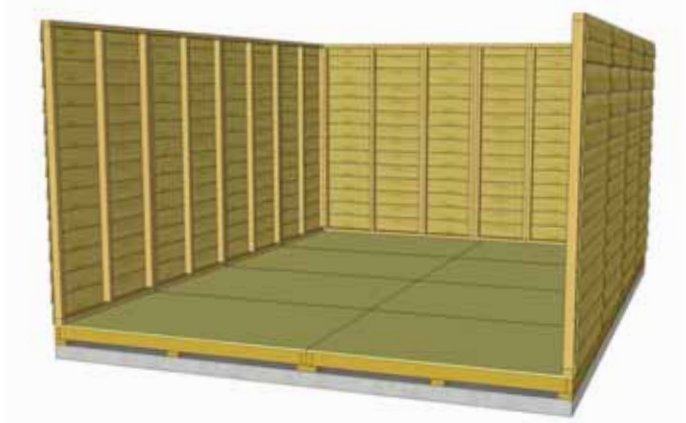


Important: Pilot hole studs first.

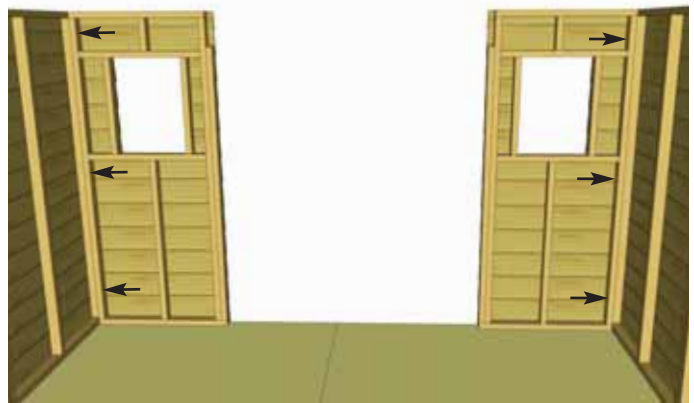
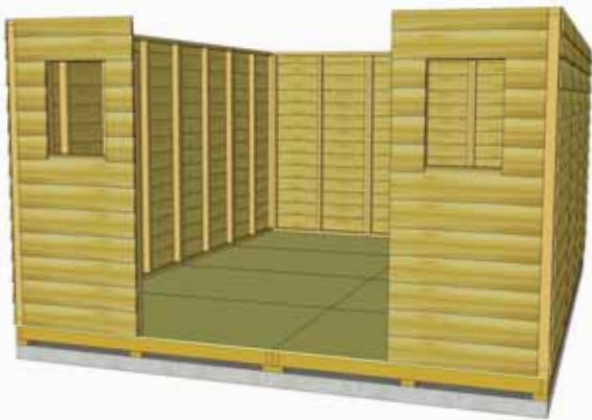
17. Attach a **Solid Wall Panel** in corner. Attach as per **Step 14**. Start positioning and securing remaining **Solid Walls**. Attach wall studs together as per **Step 14**.



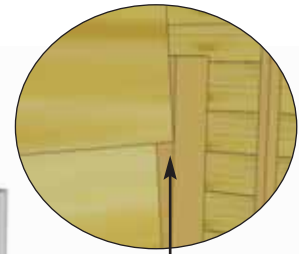
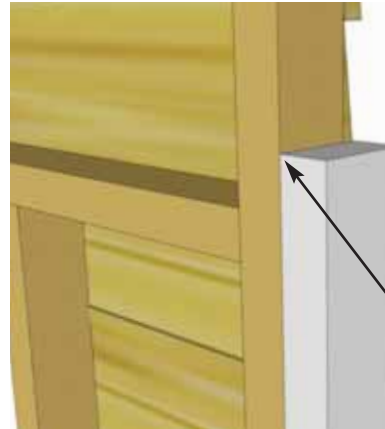
Wall panel will sit flush with floor framing at front of shed.



18. Complete attachment of left side **Solid Wall Panels**. At the front of the shed, side walls will sit flush with front floor framing.



19. Secure remaining two **Narrow Window Walls** to both front corners of shed.

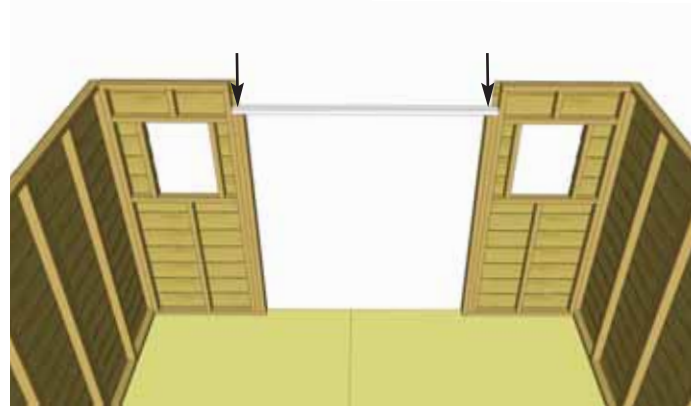
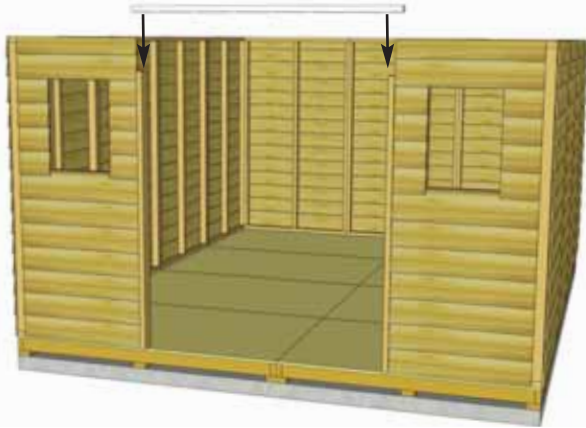


Door Jamb sits flush with wall framing and tips of bevel siding.

20. Locate **Vertical Door Jamb** and position flush against each wall panel stud. The Jamb is 3 1/2" wide and will sit flush to outside of wall siding. When positioned correctly, secure Jamb using **4 - 2 1/2" screws**.

Part (Step 20)
Vertical Door Jamb
 (1 1/2" x 3 1/2" x 73") x 2

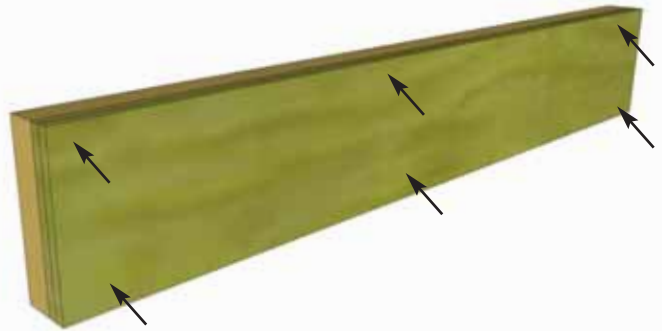
Hardware (Step 20)
S1 - 2 1/2" Screws
 x 8 total



21. Position and attach **Door Header Riser** to **Door Jamb** and **Narrow Wall Panel** top framing. Header should fit flush with **Door Jamb** and Outside of **Narrow Wall Siding**. Attach with **4 - 2 1/2" screws**.

Part (Step 21)
Door Header Riser
 (1 1/2" x 2 1/2" x 70") x 1

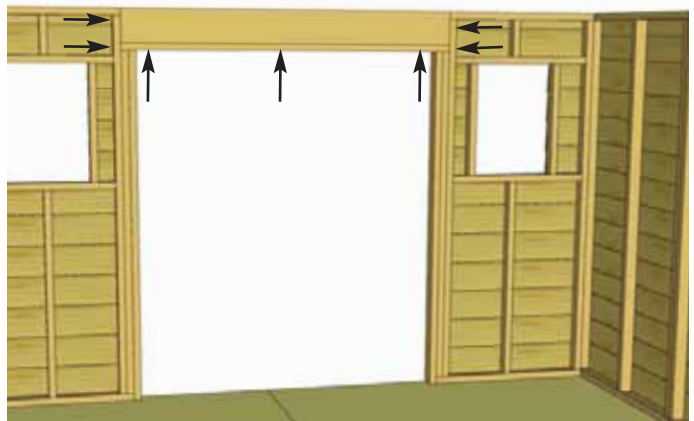
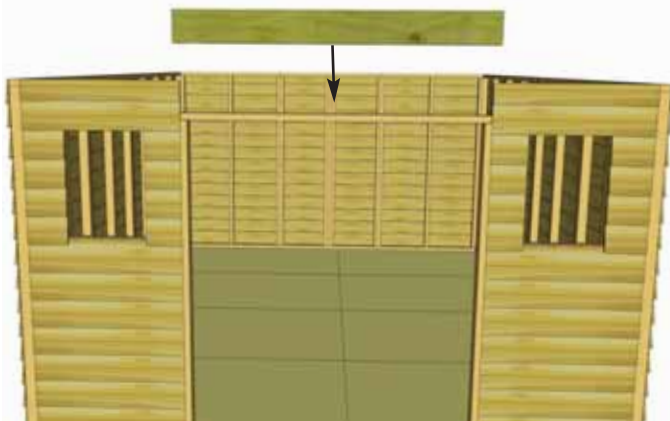
Hardware (Step 21)
S1 - 2 1/2" Screws
 x 4 total



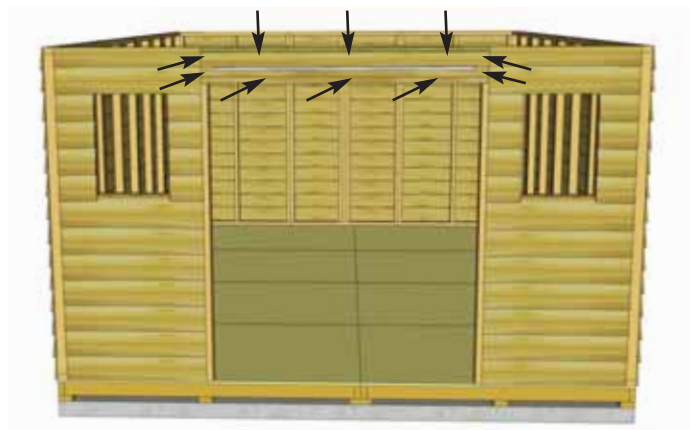
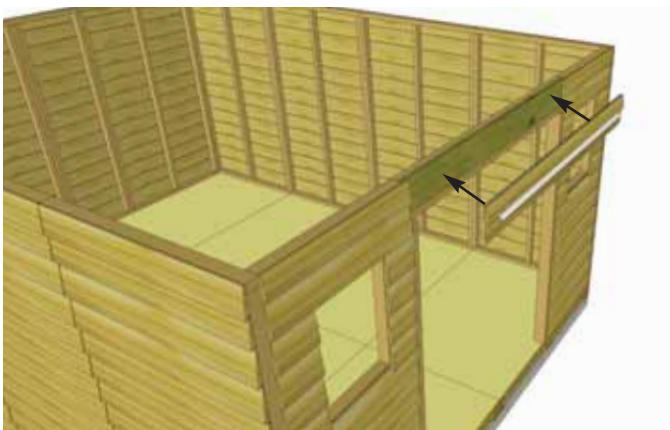
22. Locate **Door Header** and **Door Header Spacers**. Lineup three pieces together so they are flush to create a larger piece, attach with **6 - 2" screws**.

Part (Step 22 - 23)
Door Header
 (1 1/2" x 7 1/4" x 70") x 1
Door Header Spacer
 (1/2" x 7 1/4" x 70") x 2

Hardware (Step 22 - 23)
S3 - 2" Screws
 x 13 total



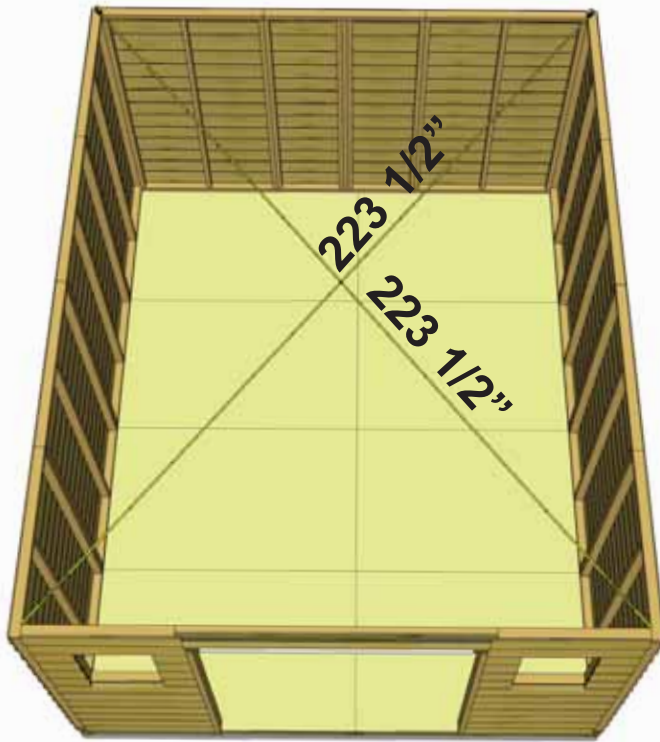
23. Place assembled **Door Header** onto **Door Header Riser** and attach with **7 - 2" screws**.



24. Locate **Drip Edge with Bevel Siding** attached. Attach to **Door Header Spacer** with **8 - 1 1/2" Finishing Nails**.

Part (Step 24)
Drip Edge w/ Bevel Siding
 (67") x 1

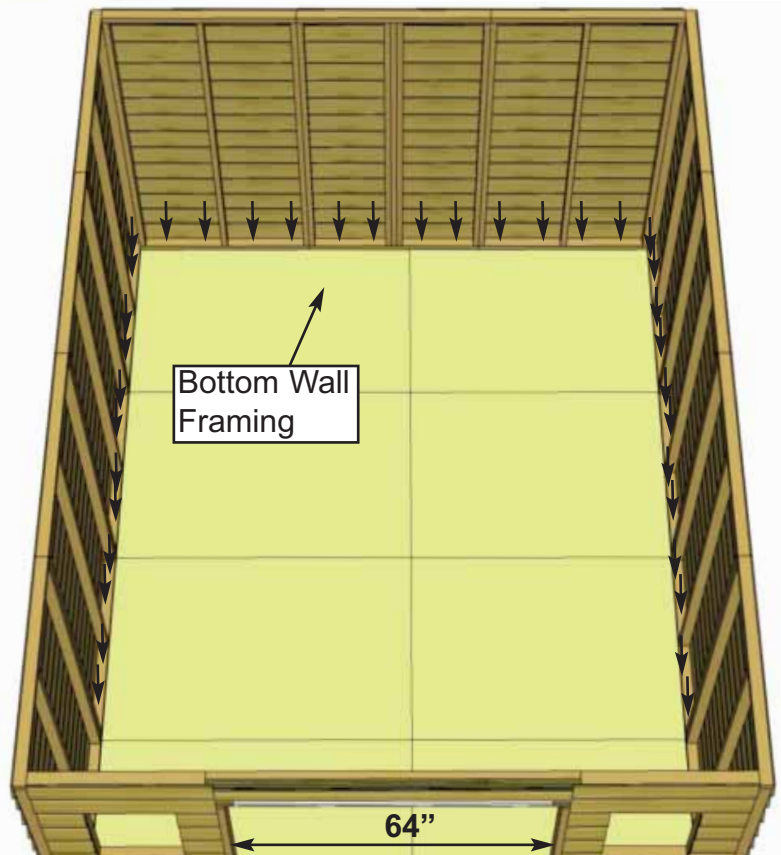
Hardware (Step 24)
N1 - 1 1/2" Finishing Nails
 x 10 total



Advice: Prior to fastening walls and installing rafters, take time to confirm your walls are level, square and plumb.

Measure diagonal at top and bottom of walls corner-to-corner. This should be approximately 223 1/2". More importantly, if measurements are not within 1/4", your walls are not square. Adjusting now will make it easier to the roof section later.

Important: If walls are not lining up and appear higher or lower than each other, please check the level of your floor. You may need to make slight adjustments before proceeding.

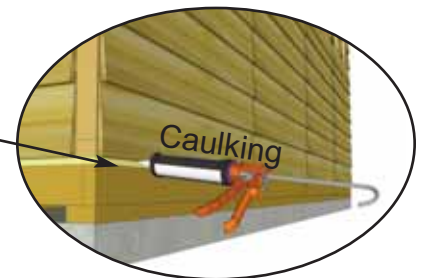


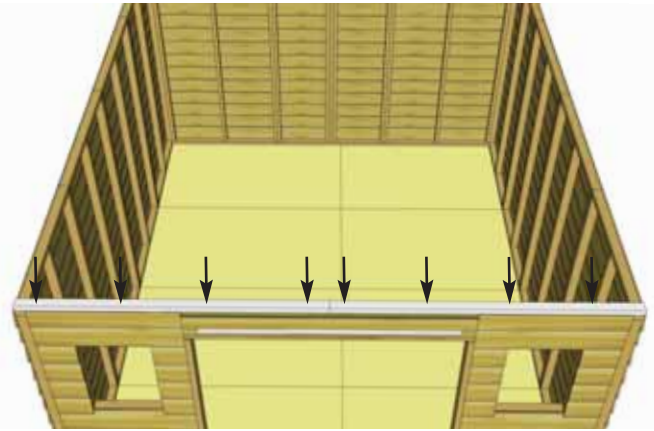
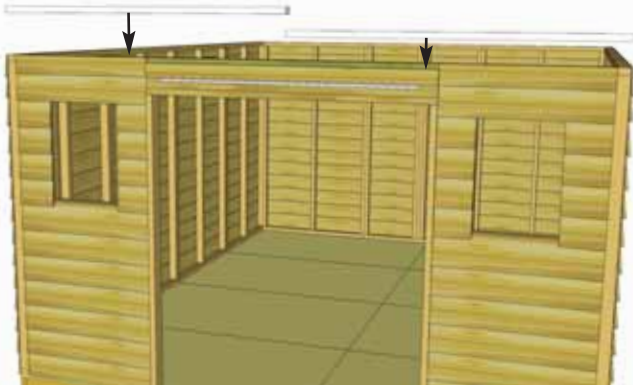
25. When all walls are attached together, check alignment with the floor. Bottom wall framing should sit flush with outside of floor joists. When positioned correctly, fasten bottom wall plates to floor using **4 - 2 1/2" screws** per wall panel (54 total). **Confirm 64" wide door opening at bottom.**



Angle screws into perimeter Floor Joists.

Optional: Caulking seams will help prevent moisture from entering your shed. Caulking is included to complete roof only. Additional Caulking may be required.

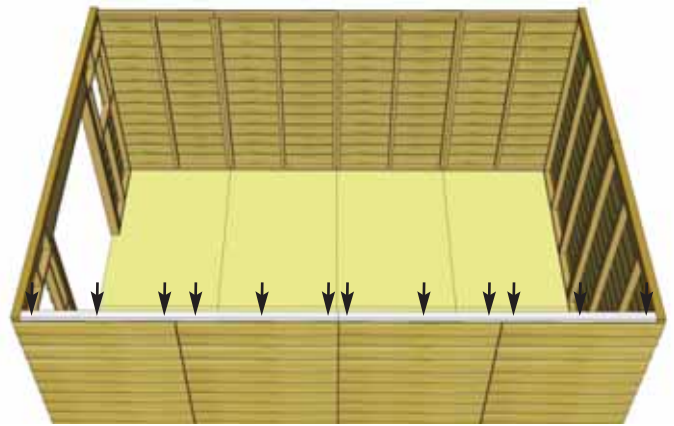




26. Position and attach **F & R Riser Plates** on top of Front and Rear **Wall Frames**. attach with **4 - 2 1/2" screws** each. Complete both front and rear of shed.

Parts (Steps 26)
F&R Riser Plates
 (1 1/2" x 2 1/2" x 70 3/4")
 x 4

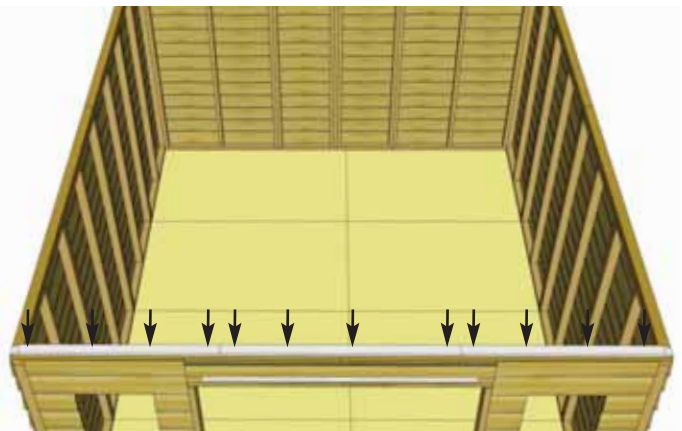
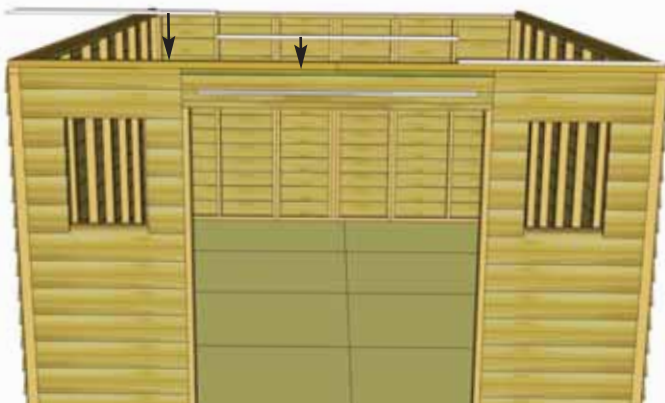
Hardware (Steps 26)
S1 - 2 1/2" Screws
 x 16 total



27. Position and attach **Side Riser Plates** with **6 - 2" screws** per piece. Complete both sides of shed.

Parts (Steps 27)
Side Riser Plates
 (1 1/2" x 2 1/2" x 88 1/2")
 x 4

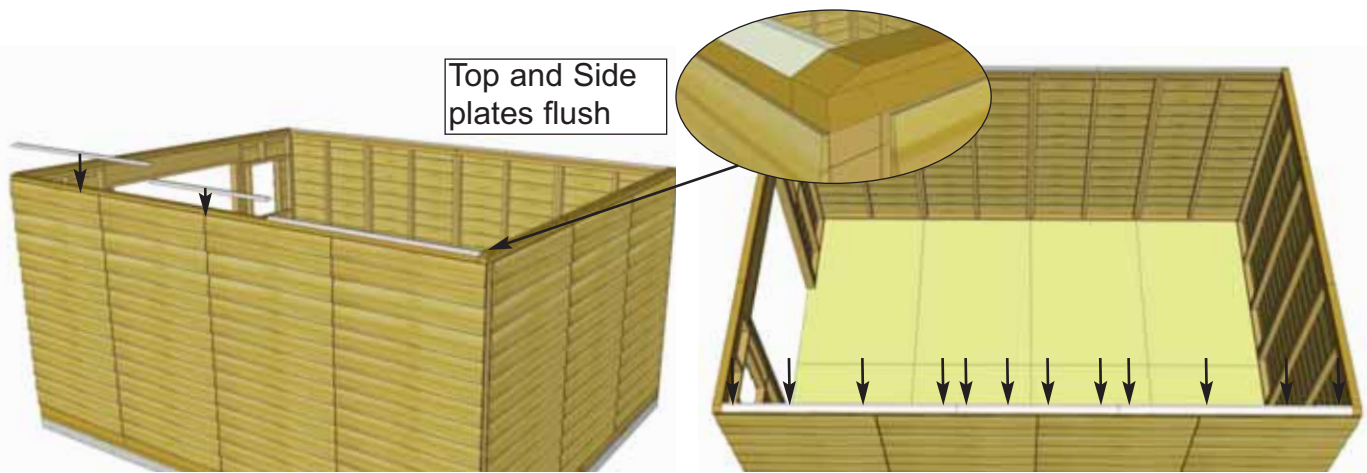
Hardware (Steps 27)
S3 - 2" Screws
 x 24 total



28. Position and attach **Front & Rear Top Plates**. There are two pieces with angle cut ends and one straight piece per side. Attach with **4 - 1 1/4" screws** per piece. Complete Front and Rear

Parts (Steps 28)
F&R Top Plates Angle
 (3/4" x 2 1/2" x 45") x 4
F&R Top Plates Straight
 (3/4" x 2 1/2" x 51 1/2") x 2

Hardware (Steps 28)
S2 - 1 1/4" Screws
 x 24 total



Top and Side plates flush

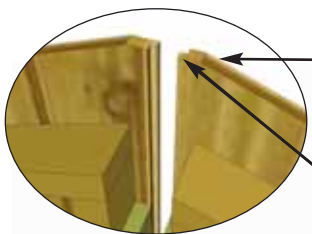
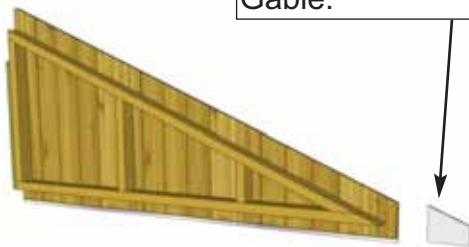
29. Position and attach **Side Top Plates** on **Side Riser Plates**. 65 3/4" side plates are on the outside with the 45 1/2" plate in the center. Angle of **Side Plates** should match angle of **F&R Top Wall Plates**. Attach each piece with **4 - 1 1/4" screws**. Complete both sides of shed.

Parts (Steps 29)
Side Top Plates
 (3/4" x 2 1/2" x 45 1/2") x 2
 (3/4" x 2 1/2" x 65 3/4") x 4

Hardware (Steps 29)
S2 - 1 1/4" Screws
 x 24 total



Gable End tucked inside Gable.



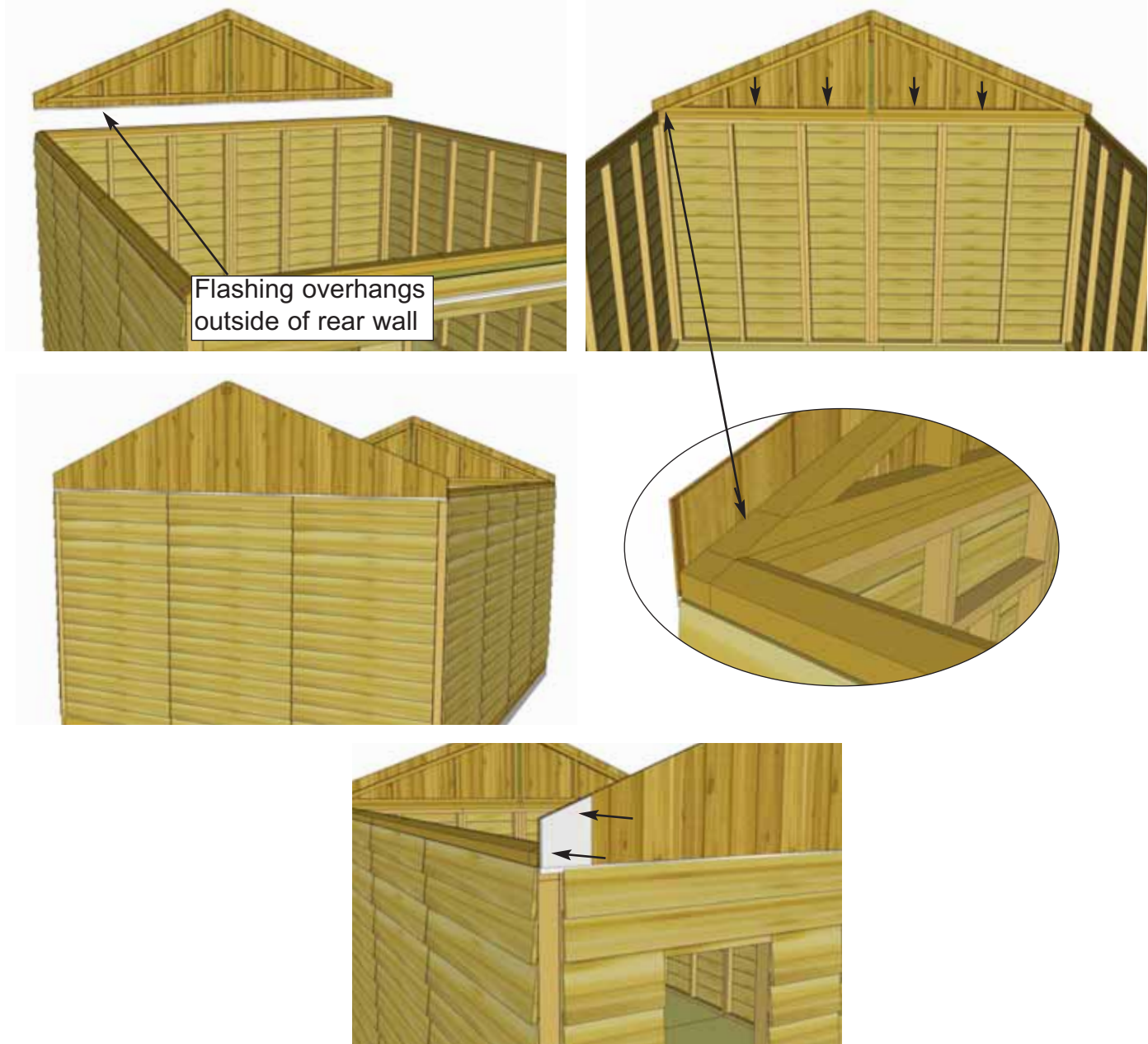
Male / Female Gable Siding Overlap



30. Locate Triangular **Gable Half Walls** for both sides of shed. Align framing and wall siding lap together. Screw center wall framing of each piece together with **4 - 2 1/2" screws**. Note: Prior to attaching, try each combination of Gables for best fit. Tip of Gables are separate pieces that need to be attached on in **Step 31**.

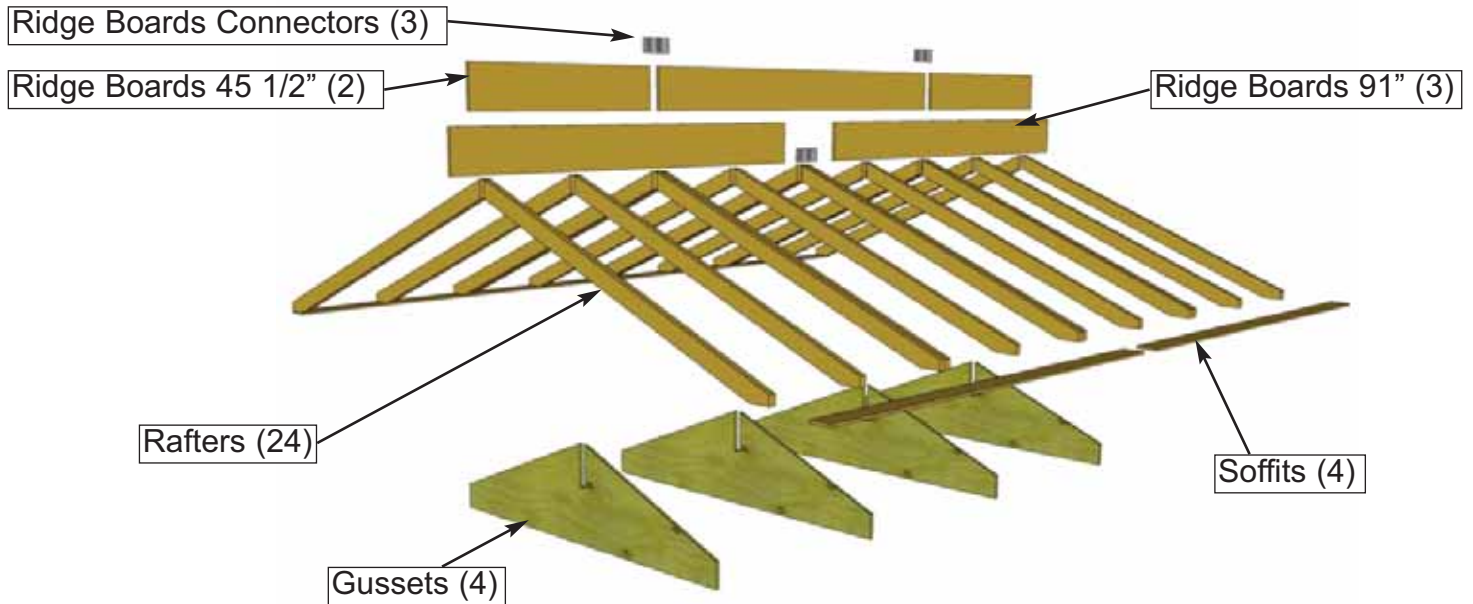
Parts (Steps 30-31)
Gable Half Walls x 4

Hardware (Steps 30-31)
S1 - 2 1/2" Screws
 x 8 total
S3 - 2" Screws
 x 8 total



31. Place completed **Gable Section** so framing sits flush with the inside of the **Top Wall Plate**. It should also be centered side-to-side on the **Top Wall Plate**. Gable Flashing overhangs wall on the outside. Temporarily attach **Gables** to **Top Wall Plate** with **4 - 2" screws** . Gables may need slight adjustment in **Step 42** when attachment will be completed with an additional 6 screws. Screw from the bottom of **Gable** framing down into **Top Wall Plate** and **Wall Framing**. Complete **Gable** positioning and attachment on the other side. **Hint:** Use a straight edge to check the angle of the Gable framing and Top Plate. Both angles should lineup at 22.5°. Attach Gable tip to shed with **2 - 1 1/2" Finishing Nails** as shown above.

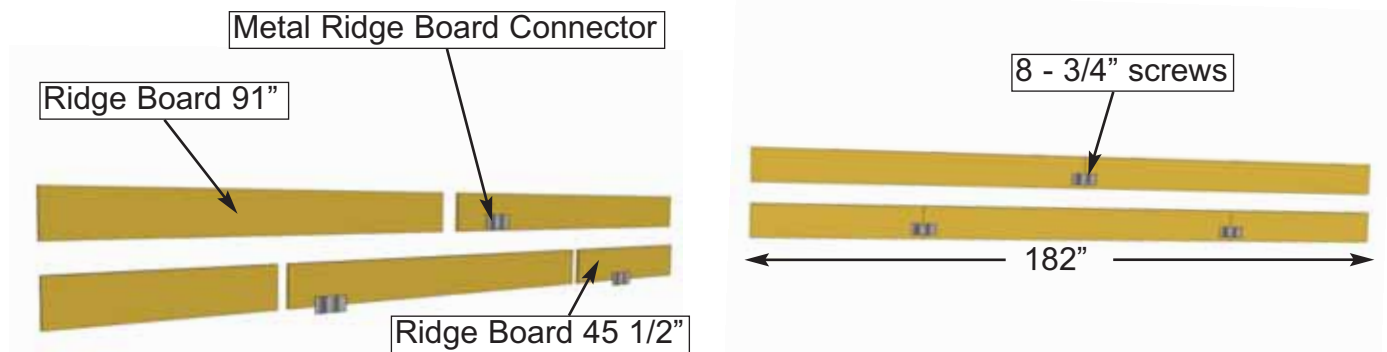
C. Rafter Section



Important: Locate all parts necessary to assemble each Rafter Section prior to beginning.

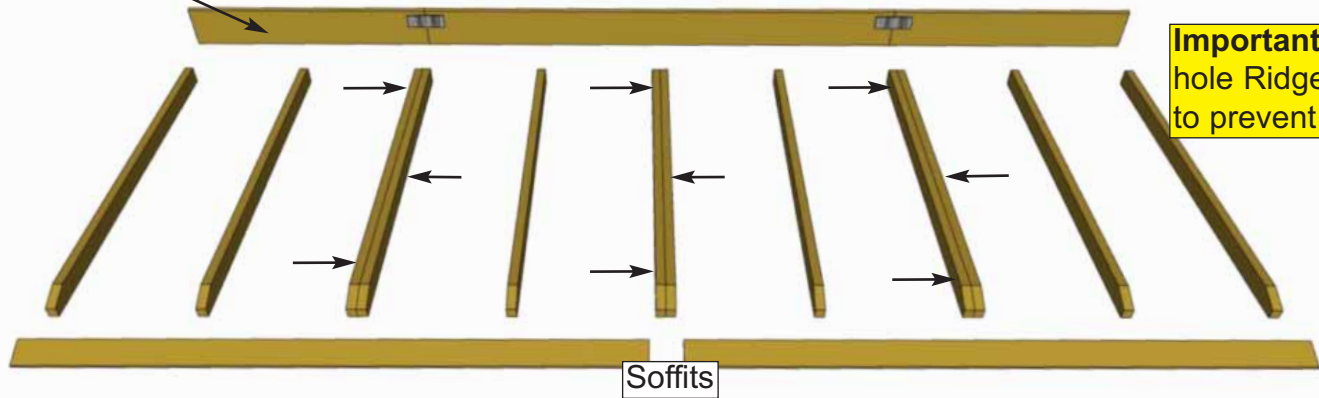
Parts for first Rafter Section: 2 - 3/4" x 9 1/4" x 45 1/2" - Ridge Boards 1 - 3/4" x 9 1/4" x 91" - Ridge Board 12 - 1 1/2" x 3 1/2" x 80 7/8" - Rafters 2 - 1/2" x 4 1/2" x 91" - Soffits * <i>Must complete 2 Rafter Sections</i>	Parts for second Rafter Section: 12 - 1 1/2" x 3 1/2" x 80 7/8" - Rafters 2 - 3/4" x 9 1/4" x 91" - Ridge Board 2 - 1/2" x 4 1/2" x 91" - Soffits Remaining Rafter Pieces: 4 - 3/4" x 80" x 19 3/4" - Gussets
--	--

Follow **Steps 32- 45** to Assemble Rafter Sections. Make sure to complete on a flat, level surface.



32. Locate Ridge Boards and attach together using Metal Ridge Board Connectors and 8 - 3/4" screws evenly spaced on boards per connector. Place connector approximately 1 1/4" up from bottom of Ridge Board . Total length when connected is 182". Complete two Ridge Boards .	Parts (Steps 32) Ridge Boards (3/4" x 9 1/4" x 45 1/2") x 2 (3/4" x 9 1/4" x 91") x 3	Hardware (Steps 32) SS2 - 3/4" Screws x 24 total Y9 - Metal Ridge Connector x3 total
---	--	---

Completed Ridge Board 2 1/2" Screws into Doubled up Rafters



Important: Pilot hole Ridge Board to prevent splitting

33. Lay out 12 Rafters, 2 Soffits and the completed Ridge Board from Step 33 on level ground as shown. Double up Rafters as illustrated. Screw doubled up Rafters together with 3 - 2 1/2" screws. Note: completed rafter section will be flipped over in Step 37.

Parts (Steps 33 - 36)

Ridge Boards

(3/4" x 9 1/4" x 45 1/2") x 2

(3/4" x 9 1/4" x 91") x 3

Rafters

(1 1/2" x 3 1/2" x 80 7/8") x 24

Soffits

(1/2" x 4 1/2" x 91") x 4

Hardware (Steps 33 - 36)

S1 - 2 1/2" Screws

x 18 total

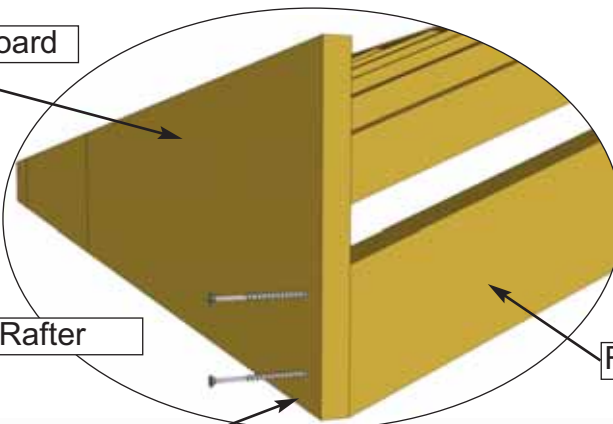
S3 - 2" Screws

x 48 total

S2 - 1 1/4" Screws

x 48 total

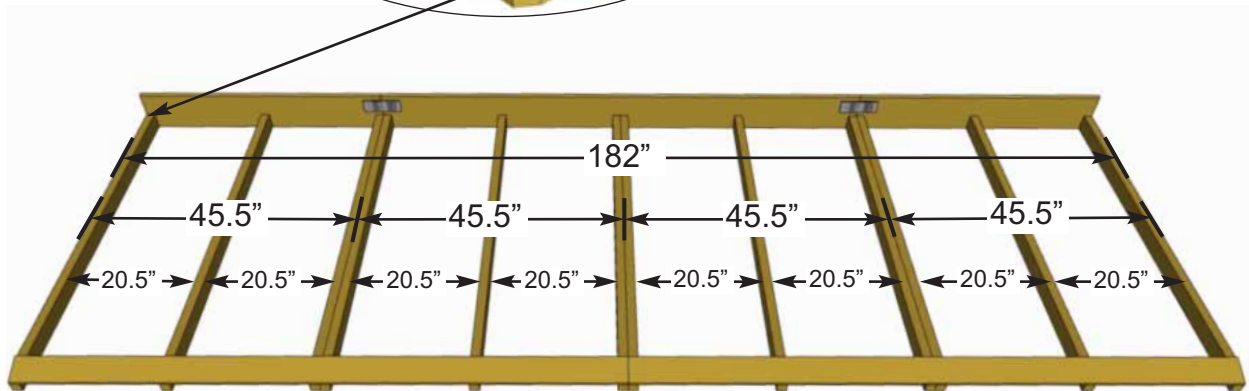
Completed Ridge Board



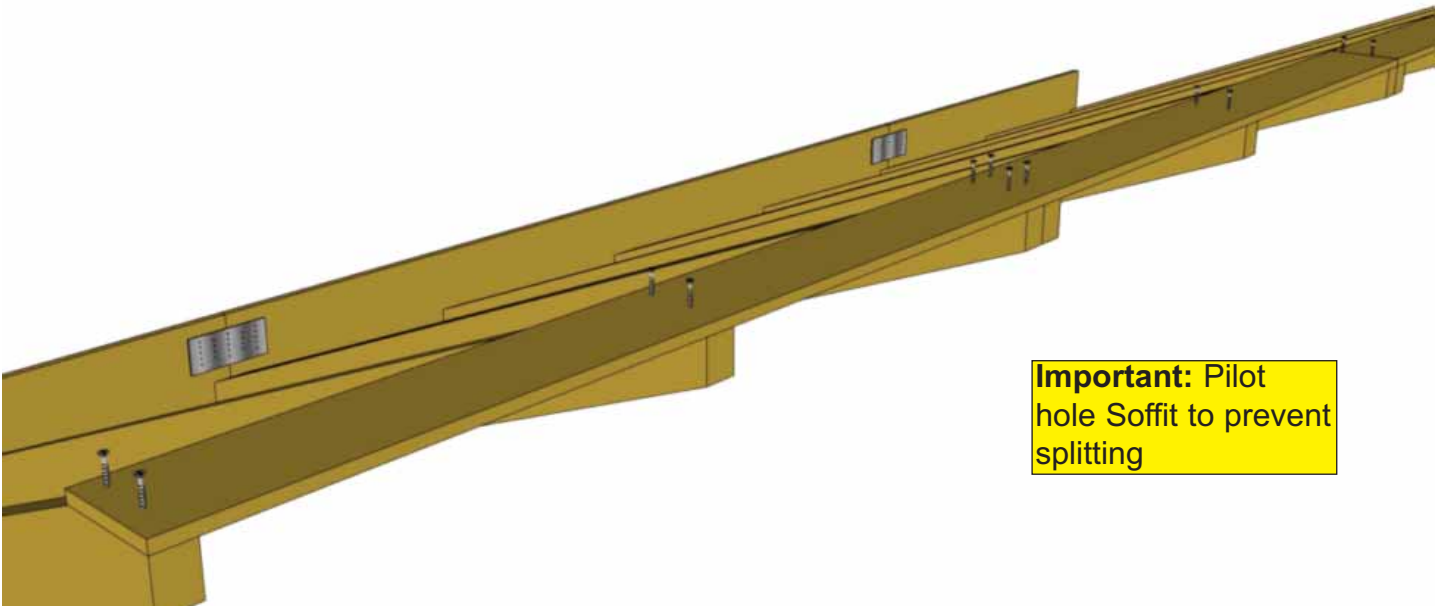
Important: Measure 20 1/2" spacing accurately.

2 - 2" Screws / Rafter

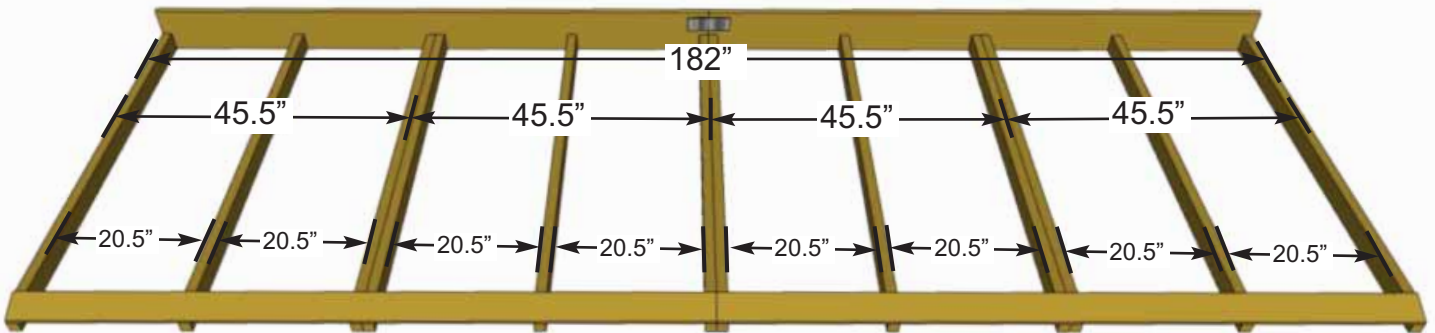
Rafter



34. Attach completed Ridge Board to ends of both outside Rafters with 2 - 2" screws per end. Measure and position interior Rafters as illustrated above. When positioned correctly, attach Ridge Board to remaining Rafters with 2 - 2" screws per rafter end. Important: Pilot Hole Ridge Board to prevent splitting.



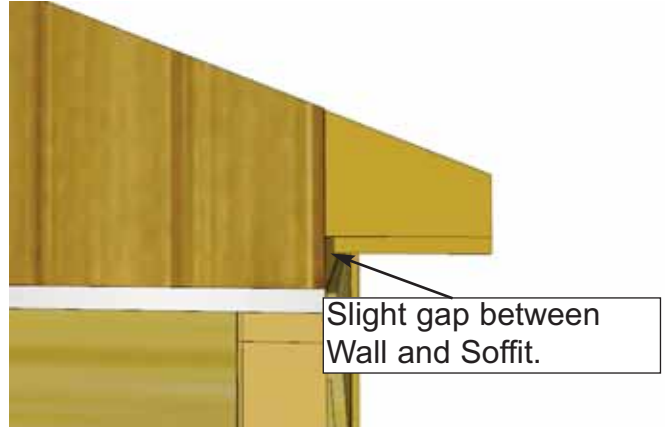
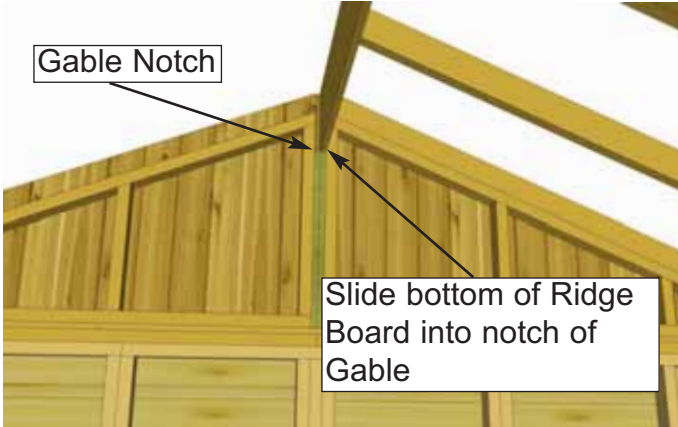
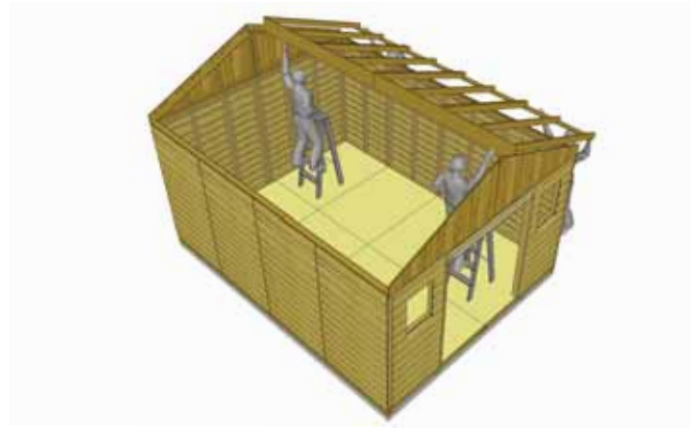
35. Attach end **Soffit** Board flush to ends of outside **Rafters** with **2 - 1 1/4" screws** per **Rafter** end. Complete both outside **Rafter/Soffit** connections first. Measure and position interior **Rafters** as illustrated above. When positioned correctly, attach **Soffits** to remaining **Rafters** with **2 - 1 1/4" screws/rafter**. **Important: Pilot Hole Soffits** to prevent splitting.



36. Complete second **Rafter** section following **Steps 33 - 35**.

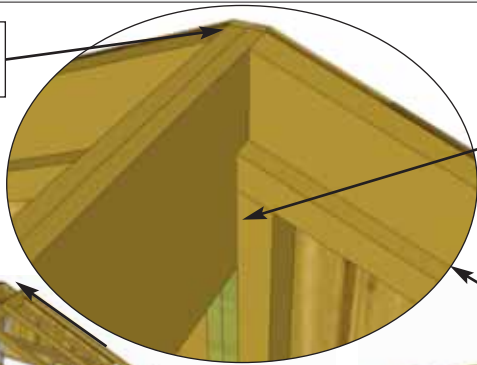


37. With some helpers flip over each **Rafter** section so they can be lifted onto the shed. **Soffits** should now be on the ground. Prepare to lift onto Wall and **Gable Frame**

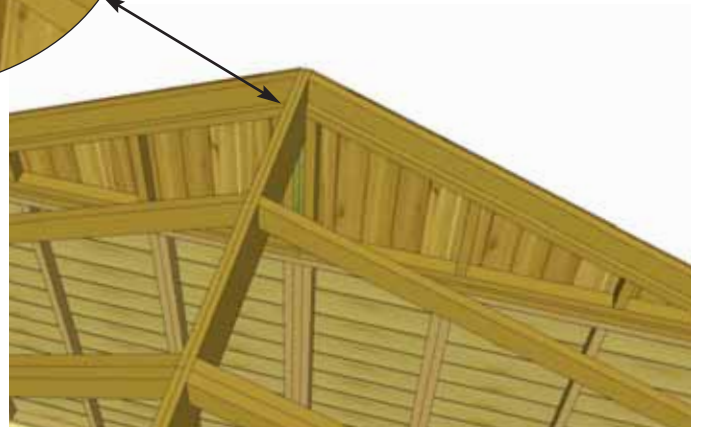
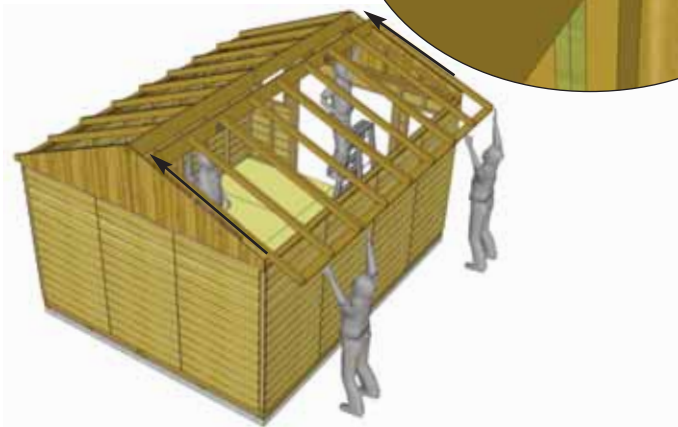


38. With the assistance of two or more helpers and some ladders, slide first **Rafter Section** up onto **Gable Framing** until bottom of **Ridge Board** slips into gable notch. Position **Rafters** so they sit evenly on **Gable Framing** from side to side. Where **Wall** and **Soffit** meet, a small gap may appear. Confirm all **Rafters** are resting on **Top Plate**.

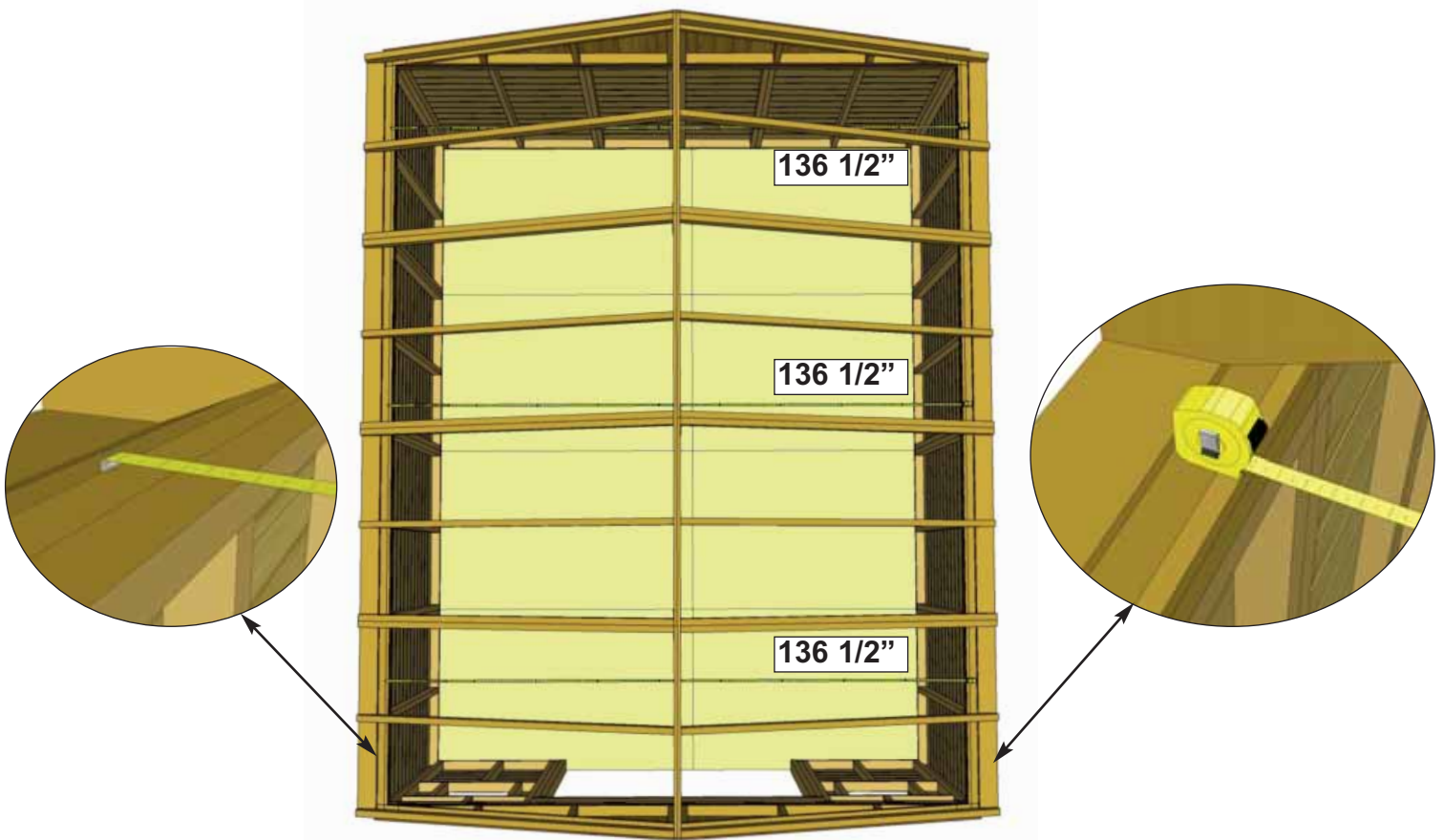
Ensure Ridge Boards are flush with one another.



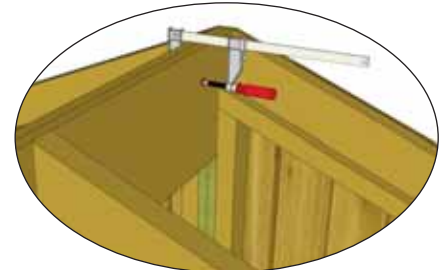
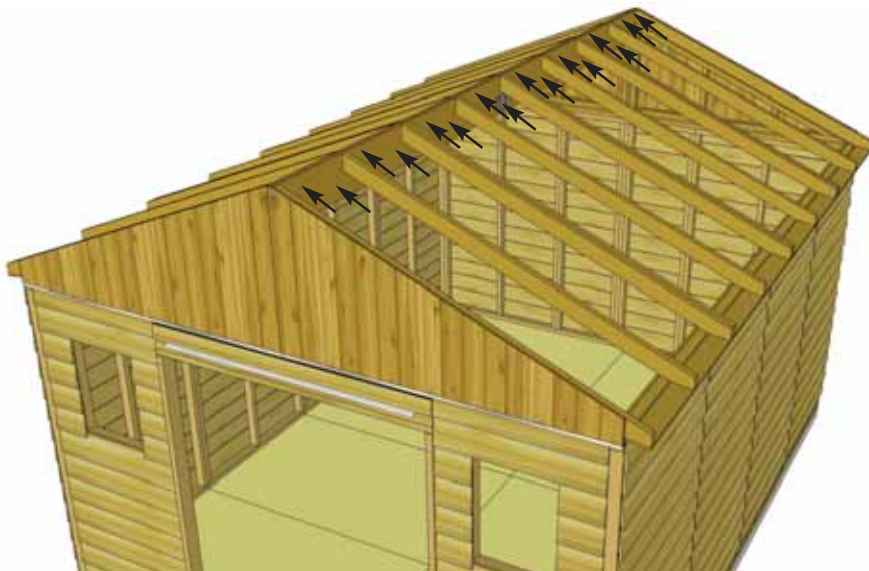
Bottom of Ridge Board fits in gable notch.



39. Lift second **Rafter Section** up and place on **Gable Framing**. Slide **Rafter Section** up on framing until bottom of **Ridge Board** slips into Gable notch. **Soffit** will sit approximately 1/8" away from wall as per **Step 38**.



40. Take the inside-to-inside measurement between **Top Wall Plates** and **Bottom Wall Plates** at the front, middle, and rear of your shed. These measurements should each be approximately 136 1/2", but more importantly, if they are not within 1/4" of each other, your walls are not square.



Advice: It may be helpful to use a clamp to help hold Ridge Boards together flush while screwing.

41. Where **Ridge Boards** meet, press together and secure with **16 - 1 1/4" screws** per side. We recommend using a clamp to hold the **Ridge Boards** together flush while screwing. Stagger screw position vertically on **Ridge Board** to create a stronger connection. Complete both sides, Important: if there is a gap between **Ridge Boards**, try pushing side walls closer together from outside. Walls should be 136 1/2" apart at top from inside of wall plate to wall plate as per **Step 40**.

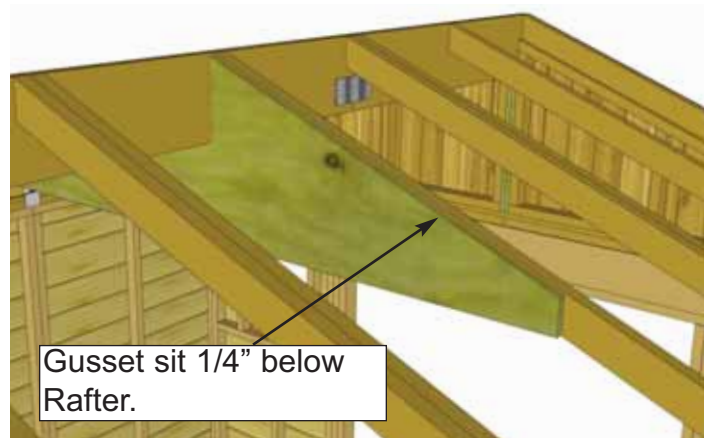
Hardware (Steps 41)
S2 - 1 1/4" Screws
 x 32 total



Important: If Gable framing does not line up with Rafters, remove temporary 2" screws from Gable framing. Re align gable and then secure.

42. With both **Rafter Sections** correctly aligned, secure **Gable Framing** to both outside **Rafters** with **8 - 2" screws** per side at top and with **8 - 2" screws** into **Top Wall Plates** at bottom.

Hardware (Steps 42)
S3 - 2" Screws
 x 32 total

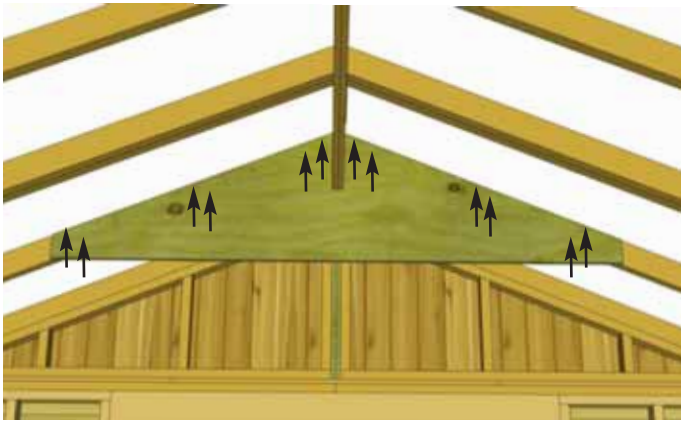


43. Start by attaching one **Gusset** onto the middle **Rafters** as illustrated. Attach only **1 - 2" screw** per side now. **Important:** Pilot hole **Gussets** to prevent splitting.

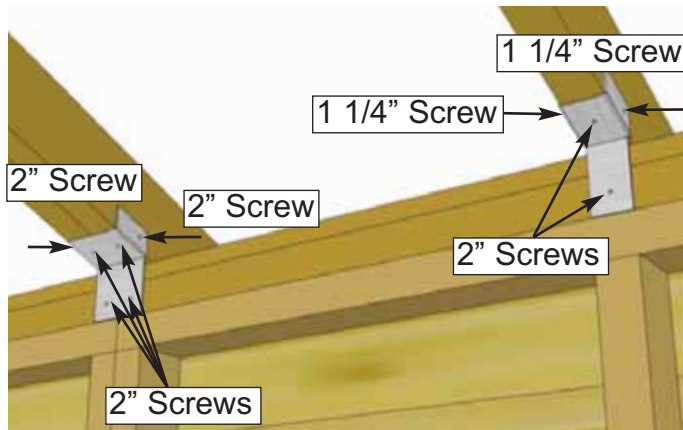
Parts (Steps 43 - 44)
Gussets
 (3/4" x 80" x 19 3/4") x 4

Hardware (Steps 43-44)
S3 - 2" Screws
 x 40 total

Important: Before attaching remaining Gussets, recheck the inside-to-inside wall measurements are done as in **Step 40**. Use a level to check they are square.



44. Once walls are confirmed to be square and plumb, attach the remaining 3 **Gussets** with **10 - 2" screws** per **Gusset**. **Gussets** attach to single **Rafters**. Attach remaining screws to **Gusset** that was attached in **Step 43**. **Important:** Pilot hole ends of **Gusset** to prevent splitting.



45. Attach all Single and Double **Rafter Brackets** where **Rafters** meet **Top Wall Plates** inside of shed. Attach with **2 - 1 1/4" screws** and **2 - 2" screws** per Single **Rafter Bracket** and **6 - 2" screws** per Double **Rafter Bracket**.

Hardware (Steps 45)

Y30 - Single Rafter Bracket
x 8 total

Y31 - Double Rafter Bracket
x 6 total

S2 - 1 1/4" Screws
x 16 total

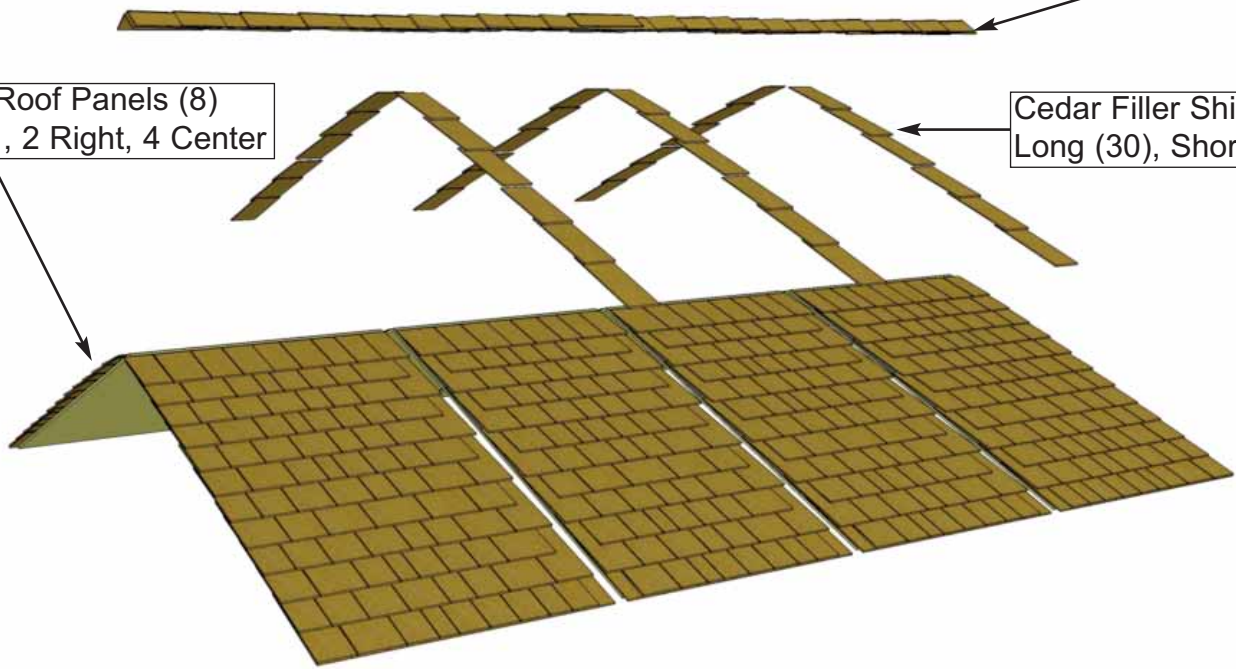
S3 - 2" Screws
x 52 total

D. Roof Section

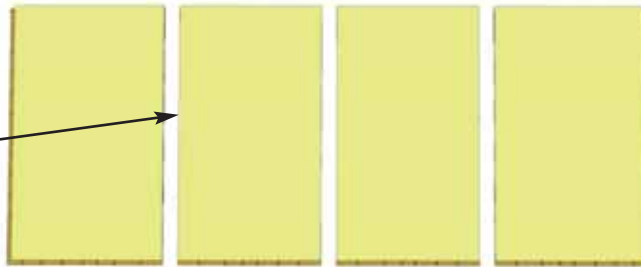
Cedar Roof Ridge Caps
Long (28), Short (1)

Long Roof Panels (8)
2 Left, 2 Right, 4 Center

Cedar Filler Shingles
Long (30), Short (6)

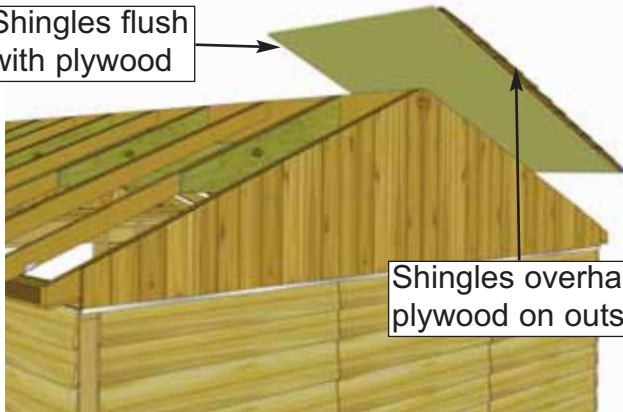


Shingles flush with plywood on center panels.



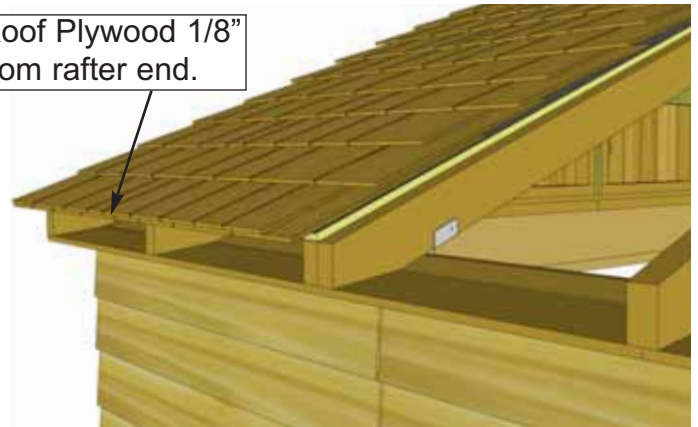
Shingles overhang plywood on outside panels

Shingles flush with plywood



Shingles overhang plywood on outside

Roof Plywood 1/8" from rafter end.

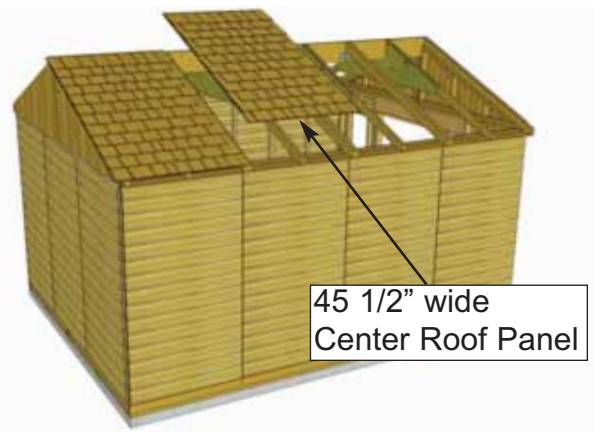
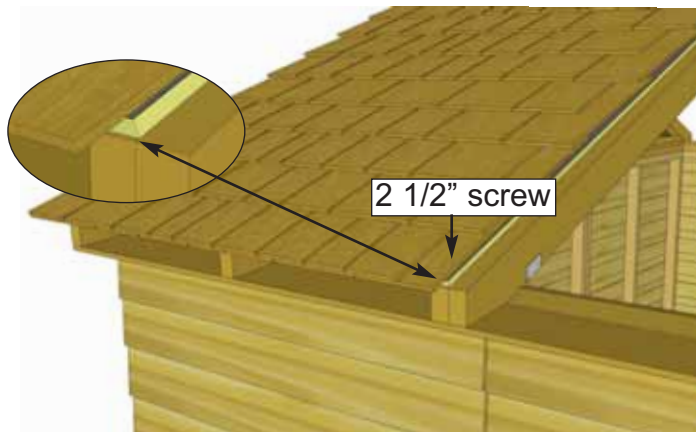


46. Identify Roof Panels. There are Left, Right, and Center Roof panels. Lift one left panel onto the roof such that the roof plywood is 1/8" from end of roof rafter.

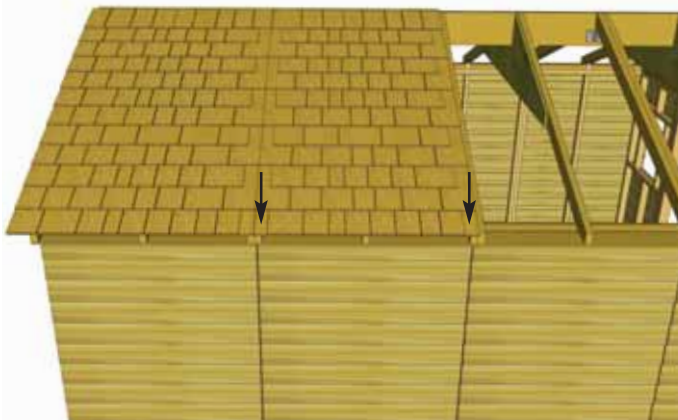
Parts (Steps 46 - 51)
L&R Roof Panels
(48" x 81") x 4
Center Roof Panels
(45 1/2" x 81") x 4

Hardware (Steps 46 - 51)

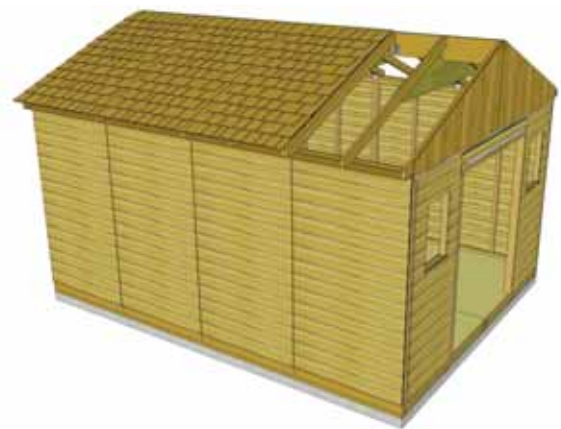
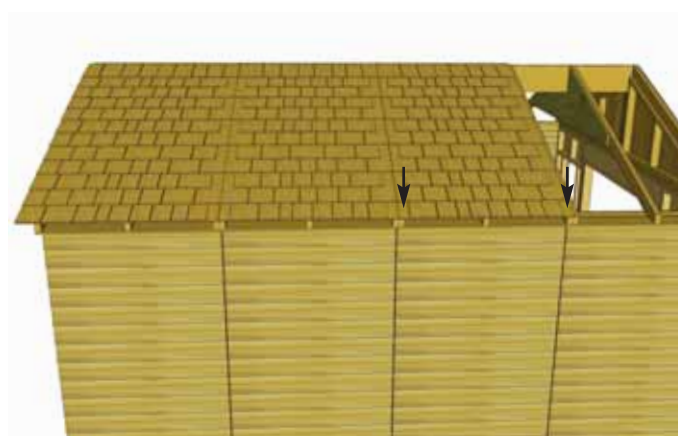
S1 - 2 1/2" Screws
x 12 total



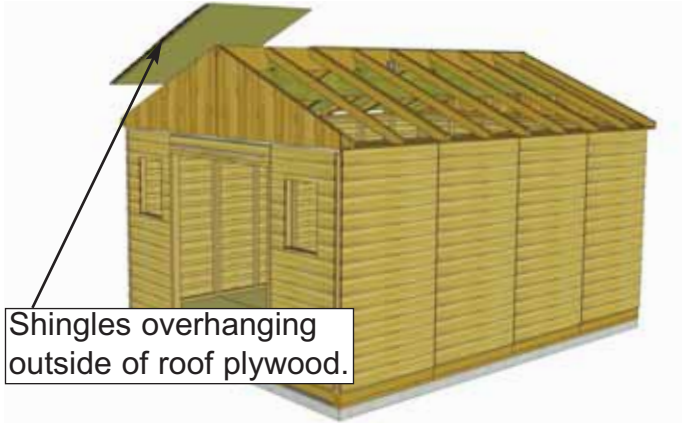
47. Position panel so roof plywood sits evenly on doubled up rafters. Screw panel to rafters through bottom row of shingles with **1 - 2 1/2" screw**. Lift up and place a **Center Roof Panel** on rafters. Center Panel will have plywood flush with shingles on both sides. Position evenly on rafters.



48 . Position **Center Roof Panel** so plywood is 1/8" from end of Rafters as per **Step 46**. From side-to-side, make sure Roof Panel is sitting equally on rafters. When positioned correctly, screw down with **2 - 2 1/2" screws** into outside lower shingles.



49 . Locate 2nd **Center Roof Panel** and position so plywood is 1/8" from end of Rafters as per **Step 46**. From side-to-side, make sure Roof Panel is sitting equally on rafters. When positioned correctly, screw down with **2 - 2 1/2" screws** into outside lower shingles.



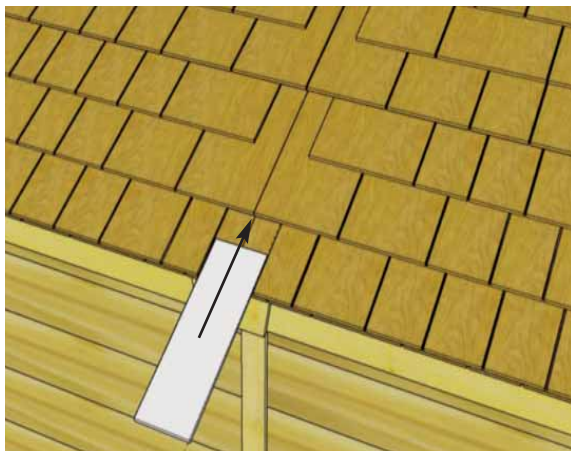
Shingles overhanging outside of roof plywood.



50 . Lift up and place remaining Outside Roof Panel on Rafters. With **Outside Roof Panel** centered on rafters and aligned as per **Steps 46 - 47**, screw panel down with **1 - 2 1/2"** screw.



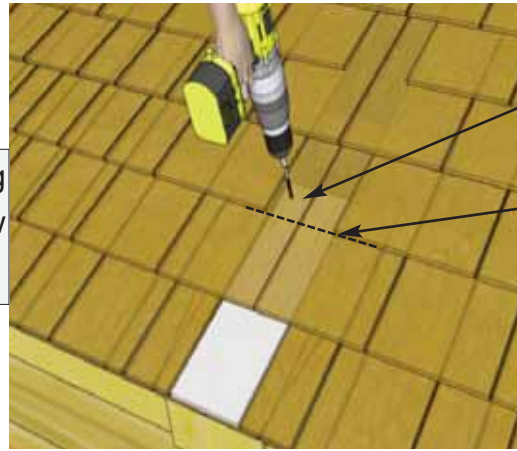
51 . Switch to opposite side of Roof. Repeat Steps 46 - 50 to attach remaining panels on opposite side of roof.



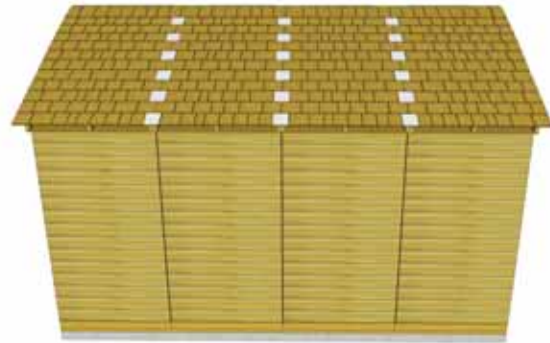
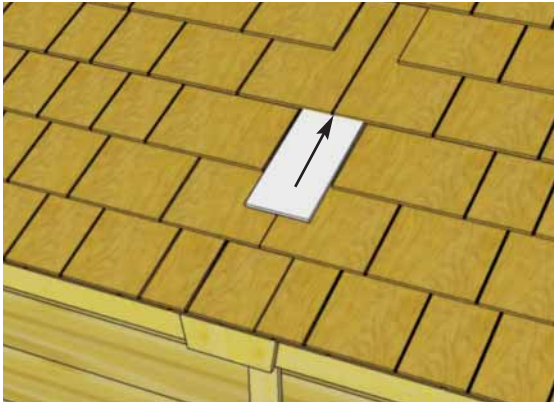
52. Roof **Filler Shingles** are included to cover roof seams. Starting at the bottom, slide the first Long shingle in until flush with other bottom shingles.

Parts (Steps 52 - 54)	Hardware (Steps 52 - 54)
Filler Shingles - Long x 30	S1 - 2 1/2" Screws x 30 total
Filler Shingles - Short x 6	N2 - Shingle Nails x 12

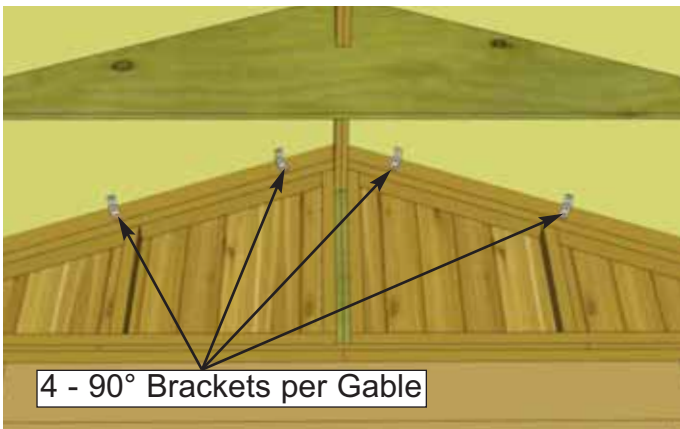
53. Screw first **Filler Shingle** down to rafters using **1 - 2 1/2" screws** (1 per panel). Make sure to screw into both rafters.



Attach above the exposure line.
Exposure Line



54. Slide in another **Filler Shingle** and attach as per **Step 53**. On your last row of shingles, attach smaller **Filler Shingles** with **2 - 1 1/2" Shingle Nails** near the top, to be covered by **Ridge Caps** in **Step 56**. Complete each row of **Filler Shingles** where roof seams meet in the same way.



4 - 90° Brackets per Gable

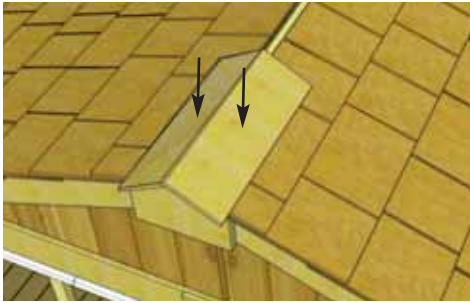


4 - 1 1/4" screws into each bracket

55 . Position **4 - 90° Metal Brackets** onto the roof plywood and outside rafter. Secure each bracket with **4 - 1 1/4" screws**. Complete for both gables. There are 8 brackets total (4 per side).

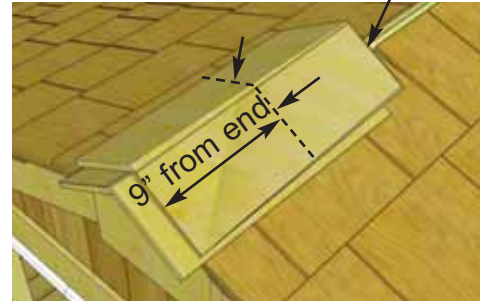
Hardware (Steps 55)
S2 - 1 1/4" Screws
x 32 total
Y2 - 90° Metal Bracket
x 8

Alternate Ridge Cap seams (offsetting angle cut at peak)



Important: Butt (thick) end of Ridge Cap will be facing towards the outside of shed.

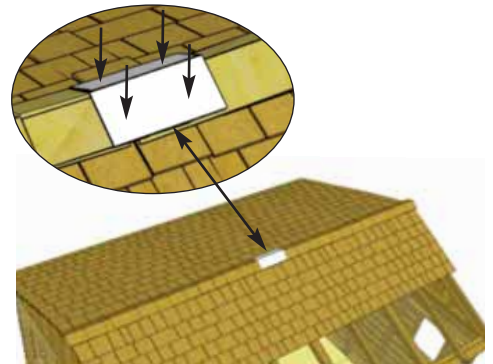
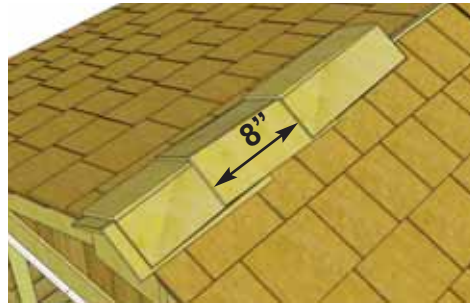
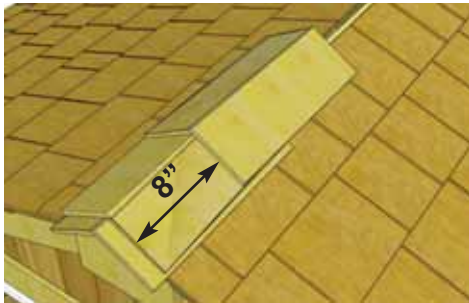
Thin End



56. Place 1st **Roof Ridge Cap** on roof peak overhanging shingles by approximately 1". Attach with **2 - 1 1/2" Shingle Nails** 9" from end. Place 2nd Ridge Cap 1" back from first cap. Attach with **2 - 1 1/2" Shingle Nails** 9" from end. Alternate each Ridge Cap seam as you proceed.

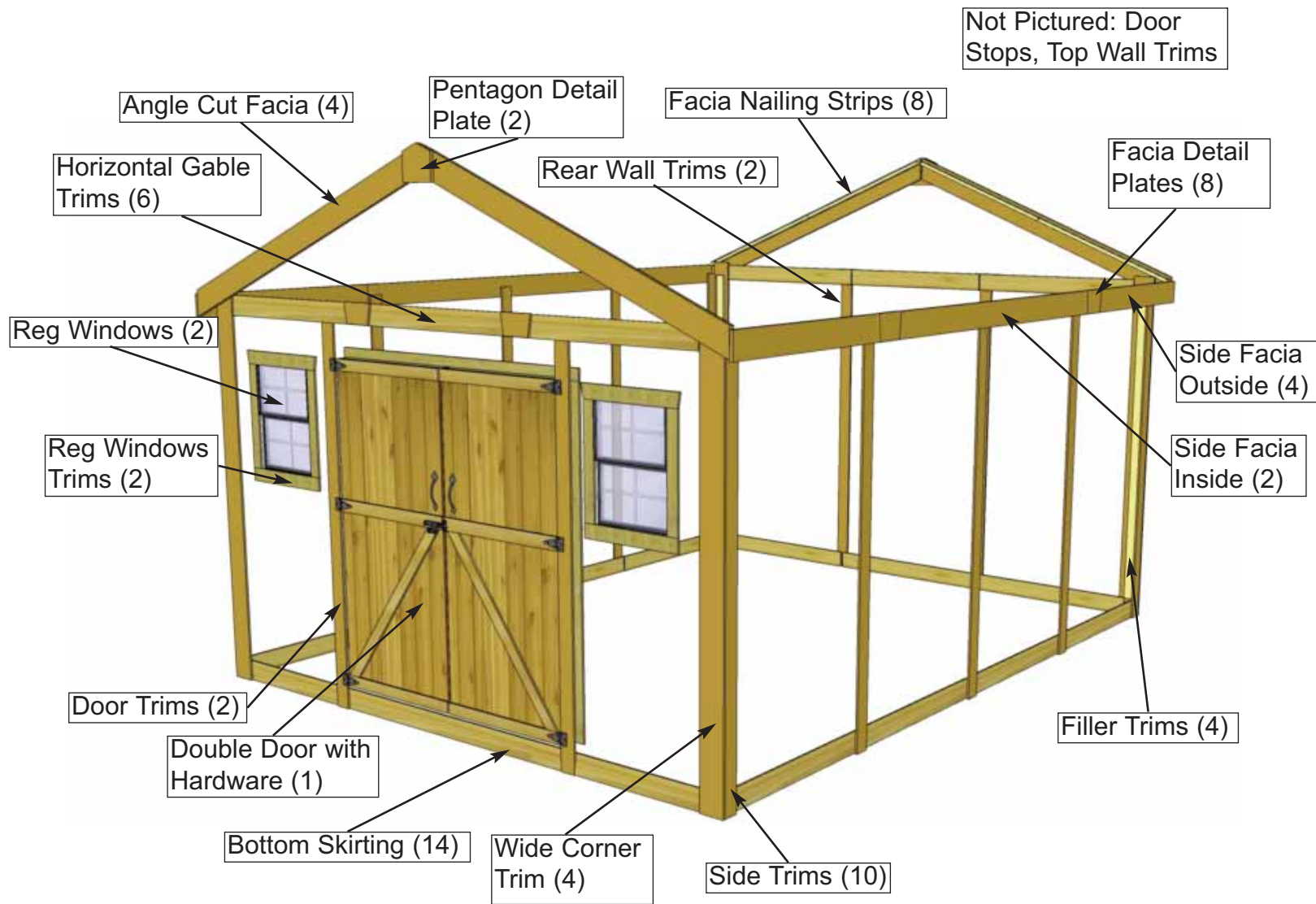
Parts (Steps 56 - 57)
Roof Ridge Caps Long x 28
Roof Ridge Caps Short x 1

Hardware (Steps 56 - 57)
N2 - 1 1/2" Shingle Nails
 x 60 total

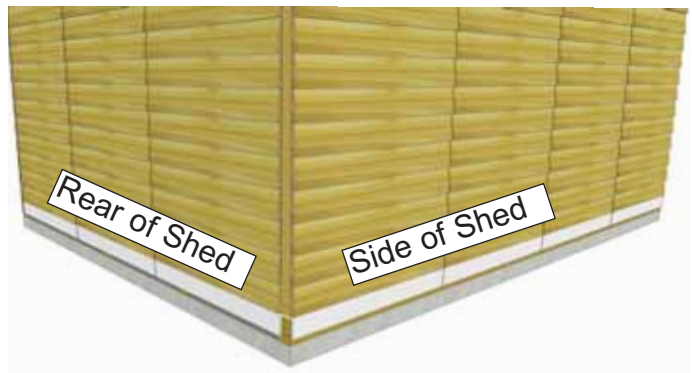


57. Place 3rd **Ridge Cap** 8" back from 2nd (enough to cover shingle nails). Attach 3rd Ridge Cap as per **Step 56**. Continue to position and attach Ridge Caps until half the roof is complete. From opposite side, position and attach Ridge Caps as described above. One Ridge Cap is cut shorter to fit in the center of the roof. Attach center cap with **4 - 1 1/2" Shingle Nails**.

E. Miscellaneous Section



Expert Advice: When installing trim, sort pieces according to color and pieces that are most pleasing to the eye. Start with least visible side and use the least desirable pieces first. Install trim to most visible sides as your skill installing trim improves.



58. Attach **Bottom Skirting - Bevel** around the base of the shed. Skirting will hide floor framing. Gaps on outside will be covered by trim pieces later. Start with front and rear skirting pieces first and attach with **4 - 1 1/2" finishing nails** per piece.

Hardware (Step 58)
1 1/2" - Finishing Nails
 x 44 total

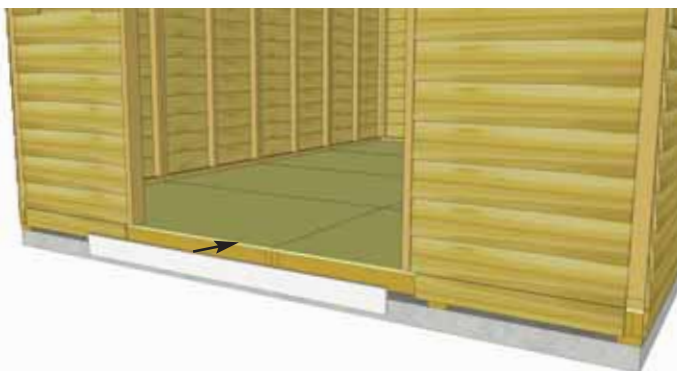
Parts (Step 58)
Bottom Skirting-Bevel
 (7/8" x 4 1/2" x 45 1/4") x 11



59. Attach **Bottom Skirting - Bevel** below the two front **Narrow Window Walls**. Attach with **4 - 1 1/2" finishing nails** per piece.

Parts (Step 59)
Bottom Skirting-Bevel
 (7/8" x 4 1/2" x 33 3/4") x 2

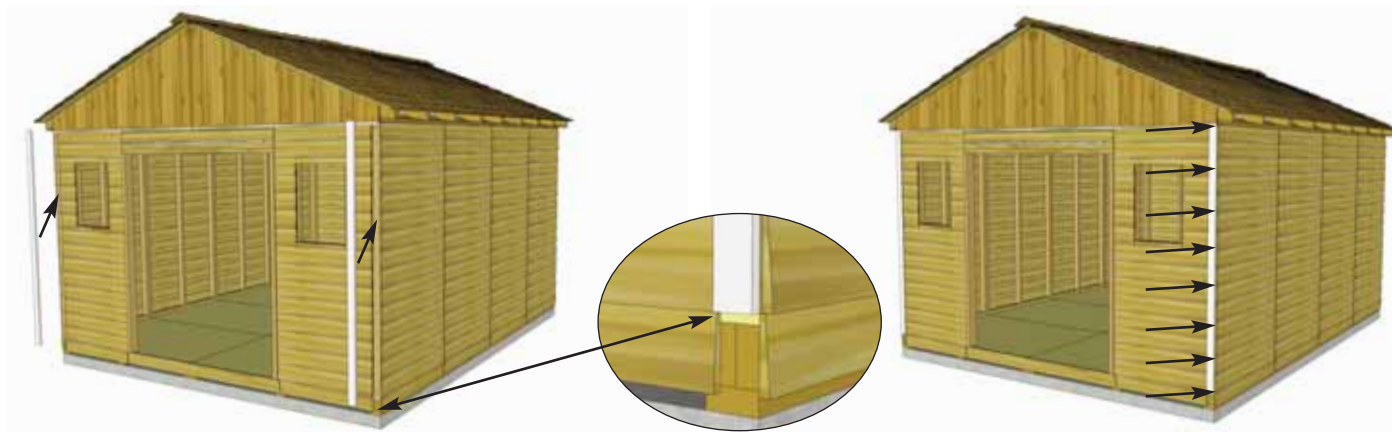
Hardware (Step 59)
N1 - 1 1/2" - Finishing Nails
 x 8 total



60. Attach **Bottom Skirting - Bevel** below the doorway. Attach with **6 - 1 1/2" finishing nails** per piece.

Parts (Step 60)
Bottom Skirting-Bevel
 (7/8" x 4 1/2" x 68 1/2") x 1

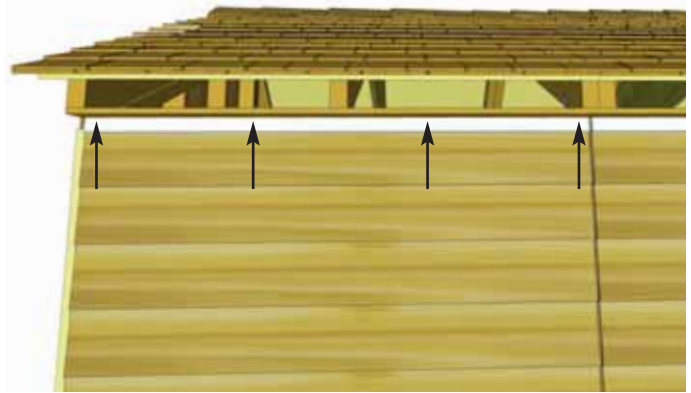
Hardware (Step 60)
N1 - 1 1/2" - Finishing Nails
 x 6 total



61. Attach **Filler Trim** to front and rear walls in each corner. Attach with **8 - 1 1/2" Finishing Nails** per piece. Strips are positioned flush with bottom skirting.

Parts (Step 61)
Filler Trims
 (3/4" x 2 1/2" x 81 3/4") x 4

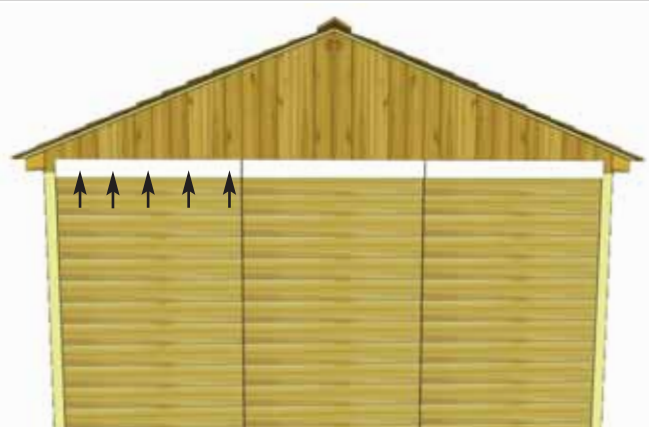
Hardware (Step 61)
N1 - 1 1/2" Finishing Nails
 x 32 total



62. Trim out side walls by attaching **Top Wall Trim**. Position with thick end of Bevel downwards at top of wall, tight against Soffits. Attach with **4 - 1 1/2" Finishing Nails** per piece. Complete both sides.

Parts (Step 62)
Top Wall Trim
 (3/4" x 1 1/2" x 45 1/4") x 8

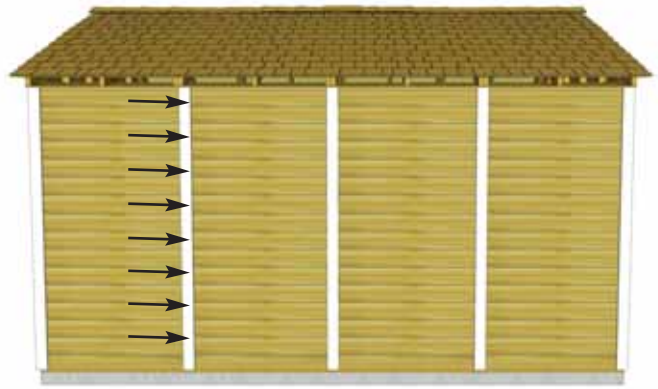
Hardware (Step 62)
N1 - 1 1/2" Finishing Nails
 x 32 total



63. Locate **Horizontal Gable Trims** for both front and rear of shed. Position equally over Gable and Wall seam. Attach each piece with **5 - 1 1/2" Finishing Nails**.

Parts (Step 63)
Horizontal Gable Trims - Bevel
 (3/4" x 4 1/2" x 45 1/4") x 3 **Rear**
 (3/4" x 4 1/2" x 68 1/2") x 1 **Door**
 (3/4" x 4 1/2" x 32 1/4") x 2 **Window Walls**

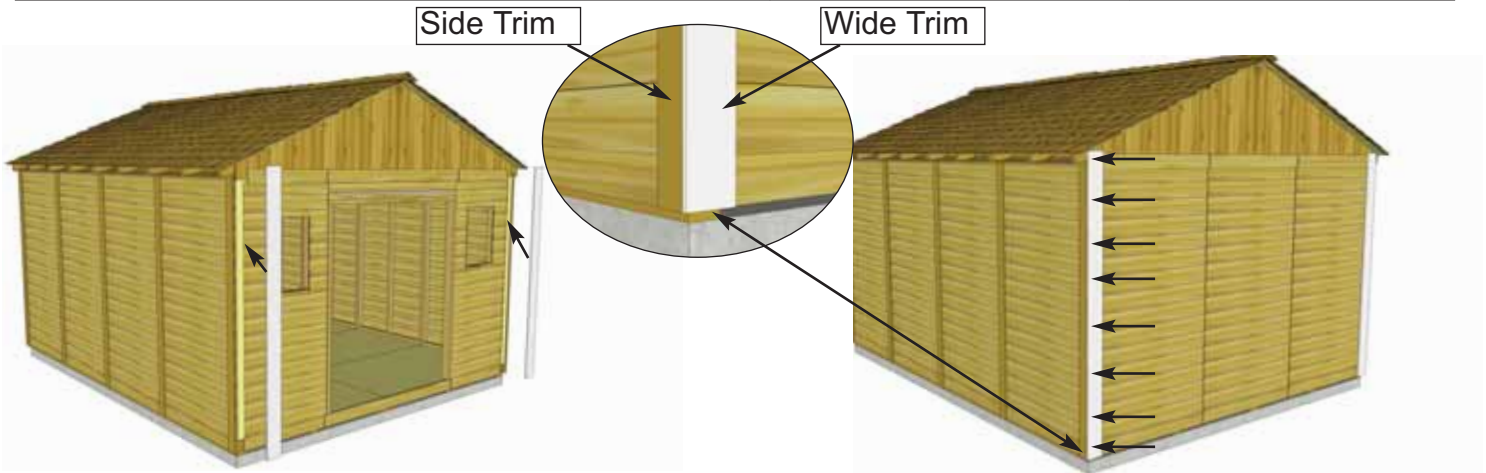
Hardware (Step 63)
N1 - 1 1/2" Finishing Nails
 x 30 total



64. Attach **Side Trims** to cover side wall seams and in the corners. align tight underneath **Soffit** and even with **Filler Trims**. Attach each with piece with **8 - 1 1/2" Finishing Nails**. Note: Trim may sit slightly below **Bottom Skirting**.

Parts (Step 64)
Side Trims
(1/2" x 2 1/2" x 87") x 10

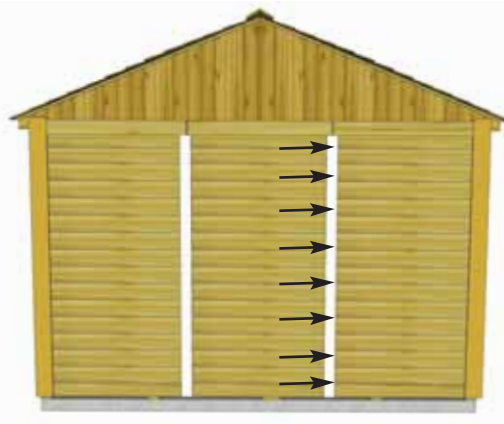
Hardware (Step 64)
N1 - 1 1/2" Finishing Nails
x 80 total



65. Attach **Wide Corner Trims** over **Filler Trims**. Wide Trim will cap Side Trims. Attach with **8 - 1 1/2" Finishing Nails** per piece.

Parts (Step 65)
Wide Corner Trims
(1/2" x 5 1/2" x 90") x 4

Hardware (Step 65)
N1 - 1 1/2" Finishing Nails
x 32 total



66. Attach **Rear Wall Trims**. to rear of shed. Use **8 - 1 1/2" Finishing Nails** per piece.

Parts (Step 66)
Rear Wall Trims
(1/2" x 2 1/2" x 85") x 2

Hardware (Step 66)
N1 - 1 1/2" Finishing Nails
x 16 total



67. Attach **Vertical Door Trim** on both sides of the doorway. Position flush with **Door Jamb** and tight underneath **Horizontal Gable Trim** . Secure each piece with **8 - 1 1/2" Finishing Nails** per piece.

Parts (Step 67)
Vertical Door Trims
 (1/2" x 3 1/2" x 85") x 2

Hardware (Step 67)
N1 - 1 1/2" Finishing Nails
 x 16 total



68. Attach **Facia Cleat** to underside of **Roof Panel**, flush edge to edge. Repeat this step on rear of shed. Fasten each cleat with **3 - 1 1/4" screws** per piece.

Parts (Step 68)
Facia Cleat
 (3/4" x 1 1/2" x 40") x 8

Hardware (Step 68)
S2 - 1 1/4" Screws
 x 24 total

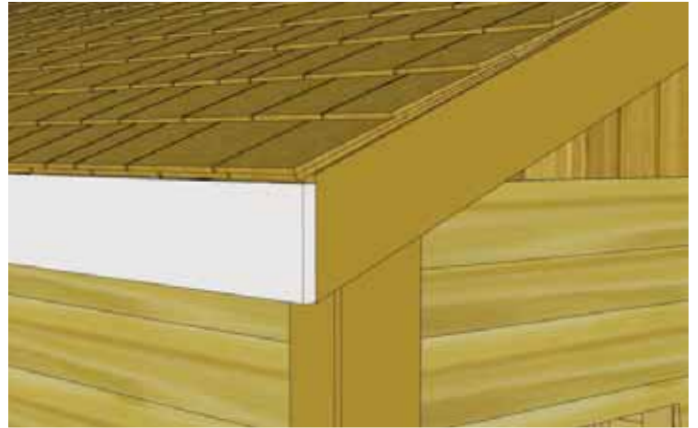
Expert Advice: Do a dry run by lining up Front, Rear and Side Facia to confirm positioning prior to attaching



69. Attach **Front and Rear Facia (angle cut on ends)**, to **Facia Cleats** on front side, with **10 - 1 1/2" Finishing Nails** per piece. Line up Facia so Facia ends line up with **Rafter** ends.

Parts (Step 69, 71)
F&R Facia (angled ends)
 (3/4" x 5 1/2" x 81 1/4") x 4

Hardware (Step 69, 71)
N1 - 1 1/2" Finishing Nails
 x 40 total



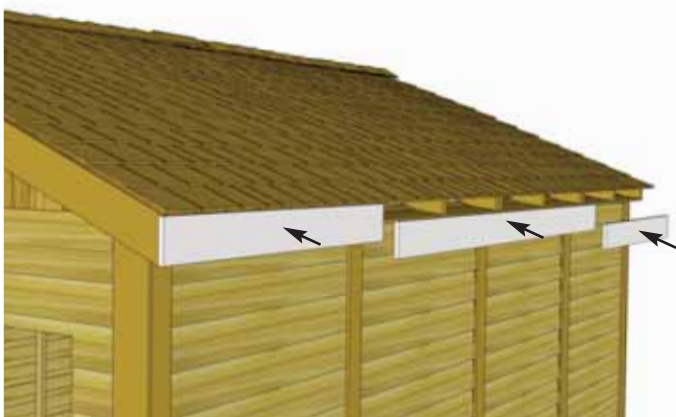
70. Attach **Side Fascia** to roof **Rafter** ends. There are 3 **Side Fascia** pieces per side. Secure with **8 - 1 1/2" Finishing Nails** per piece. **Side Fascia** will cap **Front and Rear Fascia**.

Parts (Step 70, 72)
Side Fascia
 (3/4" x 5 1/2" x 49 1/2") x 4
 (3/4" x 5 1/2" x 89 1/4") x 2

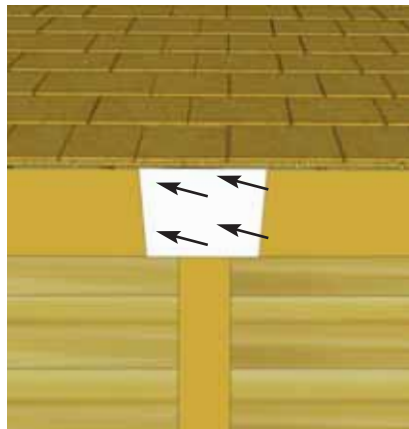
Hardware (Step 70, 72)
N1 - 1 1/2" Finishing Nails
 x 48 total



71. Attach remaining **Front & Rear Fascia** pieces to **Fascia Cleats** under roof plywood with **10 - 1 1/2" Finishing Nails**. Once again, line up **Fascia** so it is aligned with **Rafter** ends. Do a dry run with **Front, Rear and Side Fascia** to confirm positioning prior to attaching.



72. Attach remaining **Side Fascia** to roof **Rafter** ends as per **Step 70**.



73. Attach **Facia Detail Plates** and **Pentagon Detail Plates** to cover seams where **Facia** and **Trim** pieces come together. Secure each with **4 - 1 1/2" Finishing Nails**.

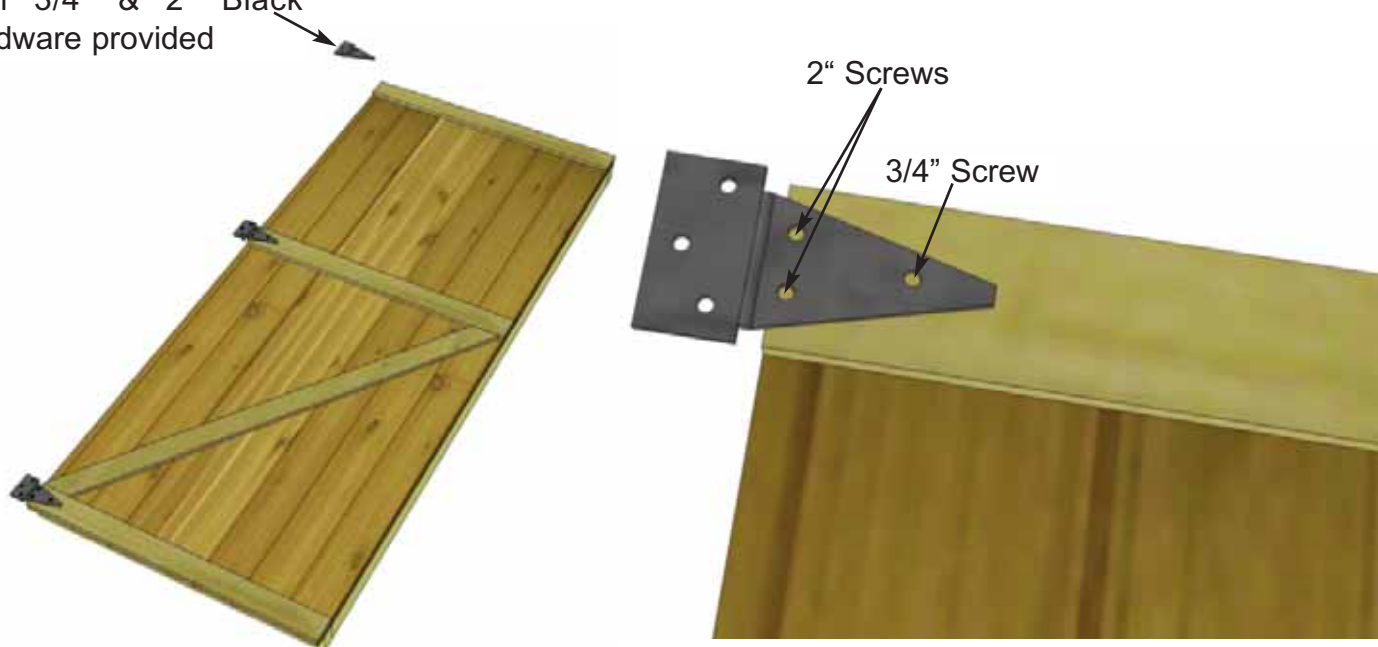
Parts (Step 73)
Pentagon Detail Plates
 (9 1/2" x 7 1/2") x 2
Facia Detail Plates
 (8" x 5 1/2") x 4

Parts (Step 73)
Gable Detail Plates
 (8" x 4 1/2") x 4
Hardware (Step 73)
N1 - 1 1/2" Finishing Nails
 x 36 total

Note: illustration of Hinge may not be accurate.

The # of screw holes in the hinge may vary from three to four depending on model.

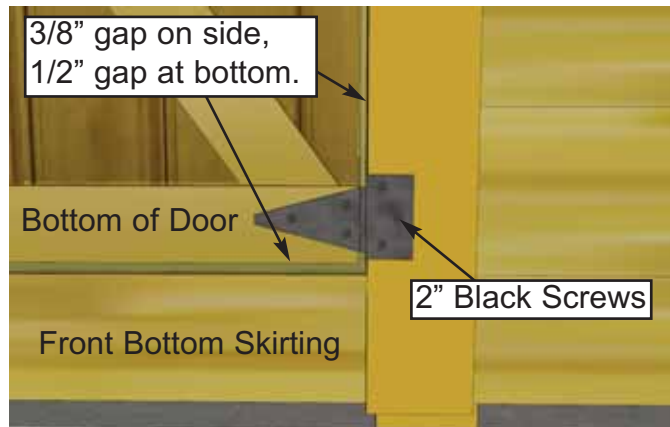
Attach Black Tee Hinges with 3/4" & 2" Black hardware provided



74. Attach Door Hinges to both **Left** and **Right Side Double Doors**. Position Hinges equally on door trim as shown above and attach with Black 3/4" and 2" screws.

Parts (Steps 74 - 76)
Left Side Door
 (31 1/2" x 72") x 1
Right Side Door
 (31 1/2" x 72") x 1

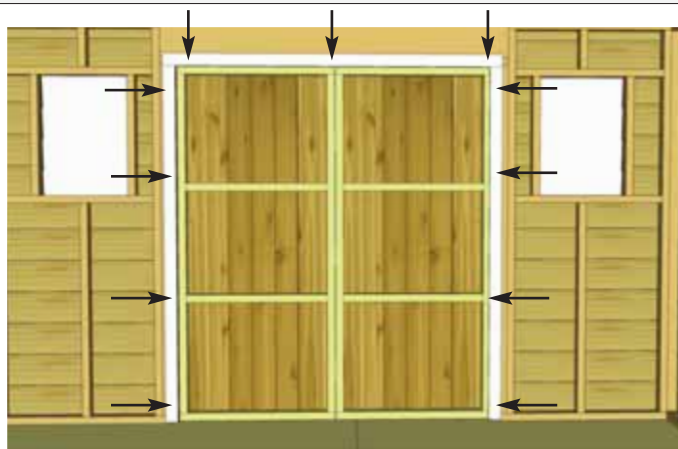
Hardware (Steps 74 - 76)
Y1 - Tee Hinges x 6 total
SB1 - 3/4" Black Screws x 6 total
SB2 - 2" Black Screws x 30 total



75. Next, position and secure the Double Doors. Starting with **Right Side Door**, position so there is a 1/2" gap on bottom and approximately 3/8" on the side. Use a spare Shingle to shim door in place at the bottom. Secure hinges to Door Trim with **3 - 2" Black Screws** per hinge. **Hint:** Do not attach all the 2" screws until both doors are positioned correctly into place. Use Screw Driver to tighten screws completely.



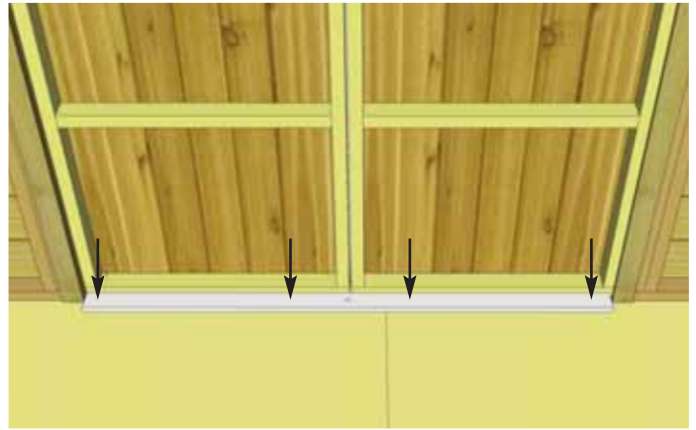
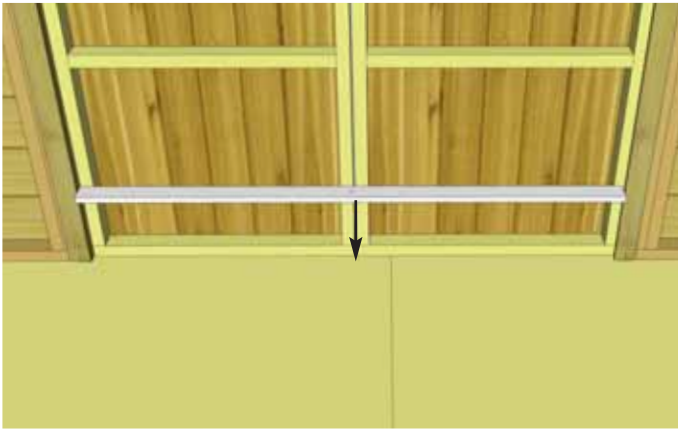
76. Position **Left Side Door** as per **Step 75** and secure with 2" Black Screws. When satisfied with door positioning, complete all 2" Black Screw attachments. **Note:** Do not over tighten hinge screws when using screw gun. Tighten 3/4 of the way and use a Screw Driver to finish so as not to strip screws.



77. Attach **Horizontal** and **Vertical Door Stops** to Door Header and Jambs. Start with Horizontal Stop first and then complete both Vertical Stops. Position so door gap is covered. Use **4 - 2" Screws** per piece to secure.

Parts (Step 77)
Horizontal Door Stop
 (1/2" x 2 1/2" x 68") x 1
Vertical Door Stops
 (1/2" x 2 1/2" x 72") x 2

Hardware (Step 77)
S3 - 2" Screws
 x 12 total



78. Close both doors and align so doors are straight. Attach **Door Threshold** with **4 - 2" Screws**, centering between doorway.

Parts (Step 78)
Door Threshold
 (3/4" x 2 1/2" x 62 1/2") x 1

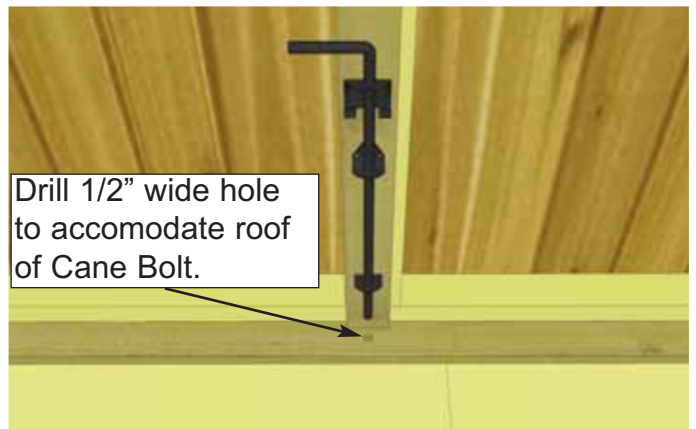
Hardware (Step 78)
S3 - 2" Screws x 4 total



79. Position and attach **Vertical Door Flange** on inside edge of door frame (**left door from outside**) using **6 - 2" Screws**.

Parts (Step 79)
Interior Door Flange
 (1/2" x 2 1/2" x 71") x 1

Hardware (Step 79)
S3 - 2" Screws
 x 6 total



80. The Interior **Cane Bolt** will be attached to Vertical Door Flange. To position Cane Bolt correctly, attach to flange first, close doors and mark hole to house Cane Bolt Rod. Open doors and drill hole where previously marked with 1/2" bit. Attach Cane Bolt with 3/4" black screws.

Hardware (Step 80)
Y6 - Cane Bolt x 1 total
SB1 - 3/4" Black Screws
 x 6 total



81. Attach **Door Handles** and Exterior Black **Drop Latch** to door. Attach Drop Latch as illustrated above with **5 - 2" Black Screws & 1 - 3/4" Black Screw**. Note how female part of Drop Latch is positioned higher than male. Do a dry run first to position Drop Latch correctly. Attach each Door Handle with **4 - 3/4" Black Screws**, ensure screws connect with inner door stud. **Important:** Drill pilot holes with 1/8" drill bit prior to securing with screws to prevent wood splitting.

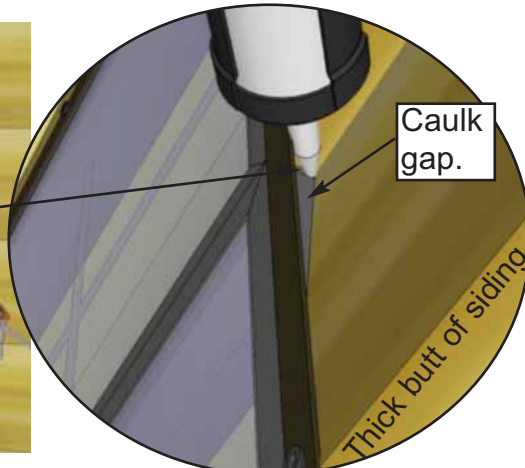
Hardware (Step 81)
Y3 - Door Handles x 2 total
Y4 - Drop Latch x 1 total
SB1 - 3/4" Black Screws
 x 9 total
SB2 - 2" Black Screws
 x 5 total



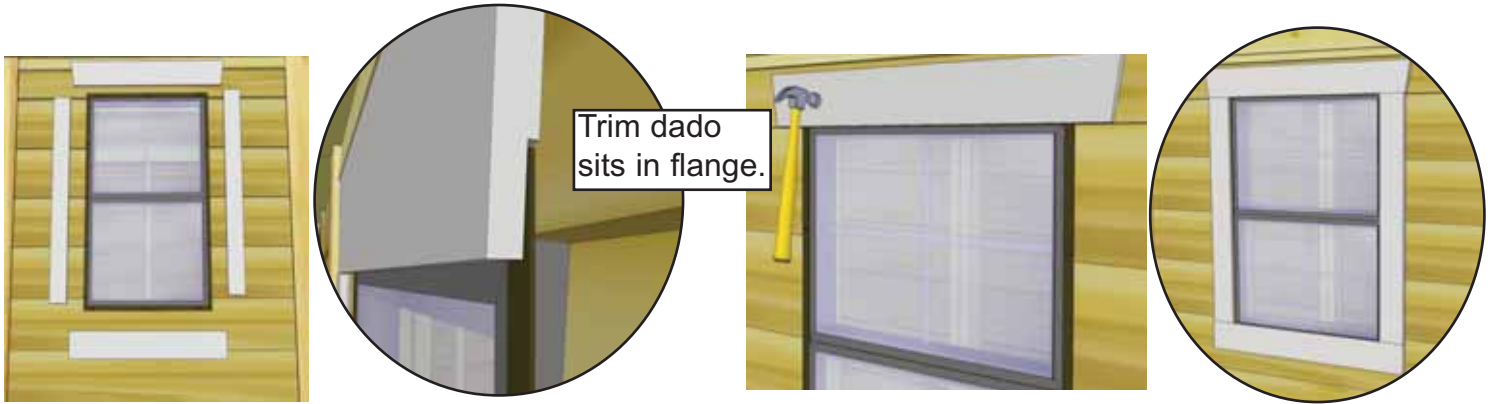
82. Locate **Window Inserts**. Before installing, dab caulk in siding channel on both sides and across top of window opening. This will prevent water from getting in behind window. Position window in cavity and secure with **8 - 1 1/4" screws**. **Window trims** will be installed next to hide caulking.

Parts (Step 82)
Regular Window Inserts
 x 2

Hardware (Step 82)
S2 - 1 1/4" Screws
 x 16 total



Once Insert is attached, caulk the "triangular gap" between the Insert's outside flange and the siding. Also put a bead of caulking horizontally at top of window where the flange and siding meet. This additional caulking will also will reduce the chances of moisture entering into your shed.



83. Position **Window Trim** around window doing a dry run first and attach with **4 - 1 1/2" Finishing Nails** per piece. The regular window kit is 1" x 24 1/16" = top (angle cut on ends), 3" x 23" = Sides and Bottom. Window trim has a small dado on reverse face. Outside flange of window will roughly sit in the dado to give a better fit.

Hardware (Step 83)
N1 - 1 1/2" Finishing Nails
 x 32 total

Parts (Step 83)
Regular Window Trim
 x 2



84. Assemble **Flower Box Kits** with Assembly Instructions included on Page 45. Position completed Flower Box below bottom of window trim and secure with **2 - 2 1/2" screws**. Screw from inside of box into the center wall stud. Attach second screw 2" underneath first screw and once again into the wall stud. Install Flower Box Kits underneath each window.

Hardware (Step 84)
S1 - 2 1/2" Screws
 x 4 total

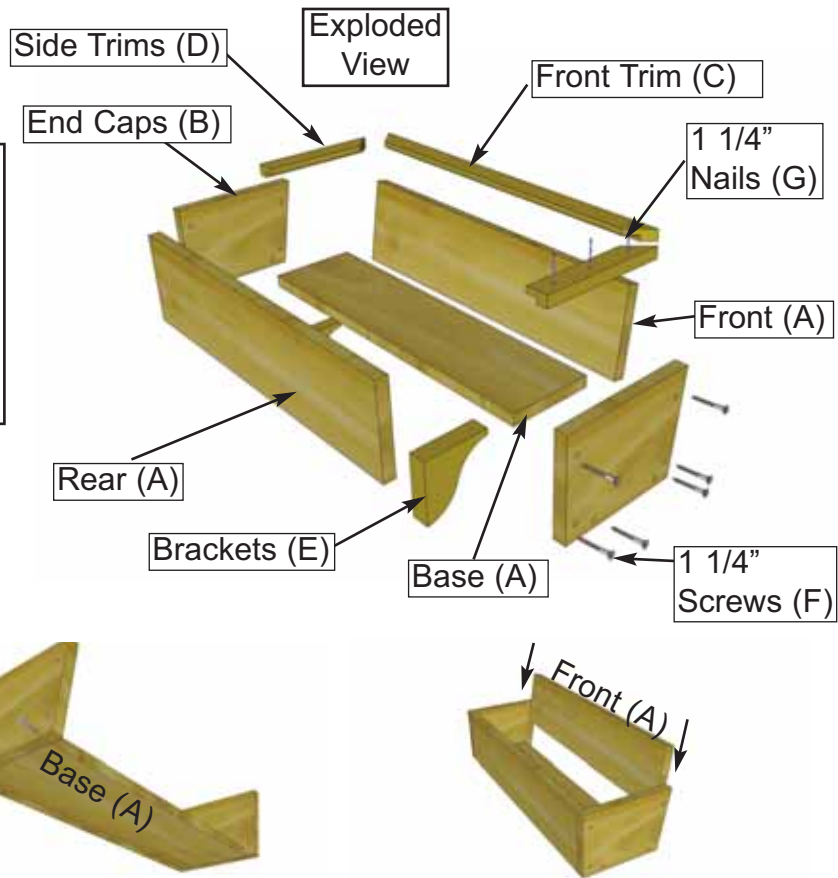
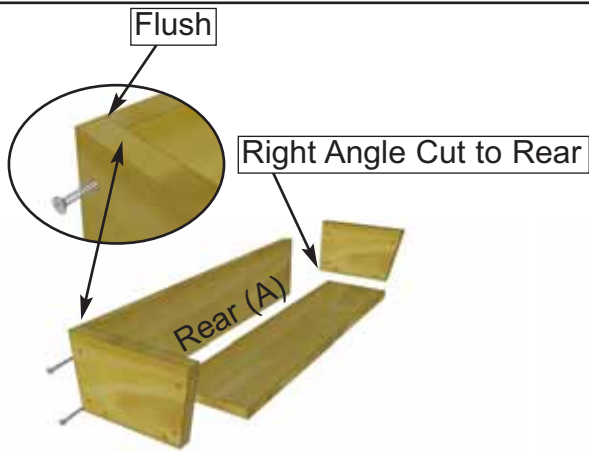
Parts (Step 84)
Flower Box Kits
 x 2

Congratulations on completing your new 12 x 16 Spacemaker Garden Shed!

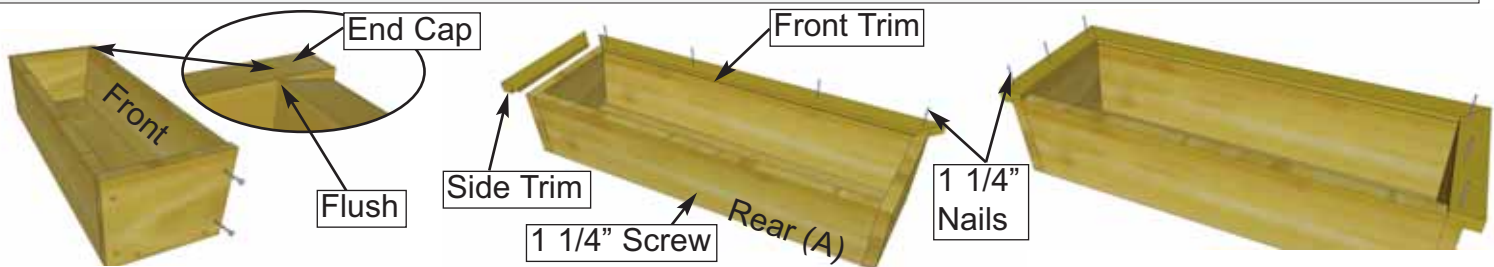
Outdoor Living Today Flower Box Assembly Instructions

Parts Lists:

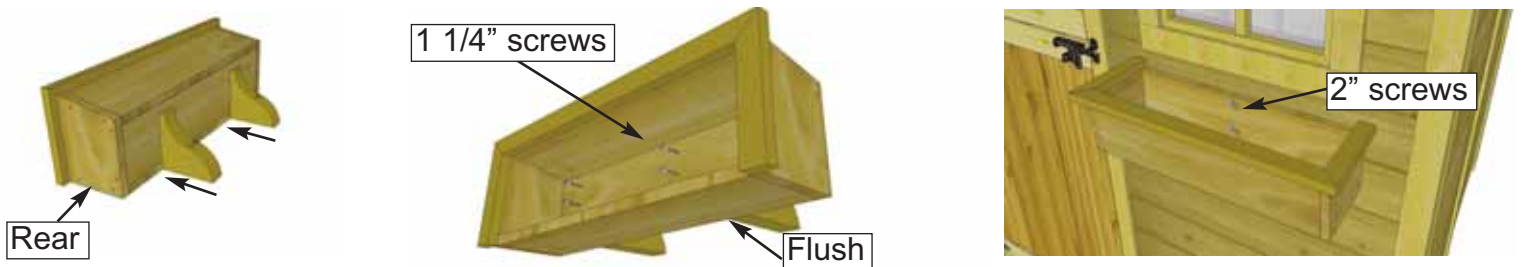
A - Base, Rear & Front Box Frames	(3pcs)	3/4" x 5 1/2" x 23"
B - End Cap Frames	(2pcs)	3/4" x 5 1/2" x 7" / 8"
C - Front Trim	(1 pc)	3/4" x 1 1/2" x 26"
D - Side Trims	(2 pc)	3/4" x 1 1/2" x 8 3/4"
E - Brackets	(2 pc)	1 1/2" x 5 1/2" x 5 1/2"
F - 1 1/4" Screws		
G - 1 1/4" Nails		



1. On a table position Rear Box and End Cap Frames together so flush at top. Fasten together with 2 - 1 1/4" screws. Place Base Frame tight against Rear and End Cap and flush at bottom. Secure with 2 - 1 1/4" screws. Complete attachment of remaining End Cap Frame. Slide Front Frame between End Caps.



2. Position Front Frame Piece flush with End Cap. Attach both ends with 2 - 1 1/4" screws. Pilot hole Rear Box Frame near bottom center and secure to Base edge with 1 - 1 1/4" screw. Evenly position Front Trim (mitre cut on end and dado cut on inside bottom) tight against front frame and nail down with 4 - 1 1/4" nails. Position Side Trims as per Front and secure with 3 - 1 1/4" nails per side.



3. On a flat surface, flip Flower Box on it's rear face. Evenly space Brackets and secure through Base Frame and into the Brackets with 2 - 1 1/4" screws per Bracket. Position completed Flower Box beneath window trim and screw from inside of box into the center wall stud with 2 - 2" screws. (2" screws supplied with Base Kit.)

Completed 12x16 SpaceMaker Shed

Note; Our Sheds are shipped as an unfinished product. If exposed to the elements, the western red cedar lumber will weather to a silvery-gray color. If you prefer to keep the cedar lumber looking closer to the original color, we suggest that you treat the wood with a good oil base wood stain. You may also wish to paint your new shed rather than stain it. In both cases we recommend that you consult with a paint and stain dealer in your area for their recommendations.



We hope your experience constructing our building has been both positive and rewarding.

We value your feedback and would like to hear back from you on how well we are doing in the following areas:

1. **Customer Service**
2. **On Time Shipping**
3. **Motor Freight Delivery**
4. **Quality of Materials**
5. **Assembly Manual**
6. **Overall Satisfaction.**



The materials contained in this Assembly Manual may be downloaded or copied provided that ALL copies retain the copyright and any other proprietary notices contained on the materials. No material may be modified, edited or taken out of context such that its use creates a false or misleading statement or impression as to the positions, statements or actions.

Please call, write or email us at:

Outdoor Living Today

Canadian Address
9393 287th Street
Maple Ridge, British Columbia
Canada V2W 1L1

United States Address
P.O. Box 96
Sumas, Washington
USA 98295