



Self-Watering Planter Assembly Manual

Revision #1.0
March 23, 2022

Thank you for purchasing a Self-Watering Planter. Please take the time to identify all the parts prior to assembly.

Please use Safety Eyewear and Gloves while assembling. Be sure to read and follow all operating instructions for any tools used during assembly. Remember - NO SAW CUTTING IS REQUIRED!

Safety Points and Other Considerations

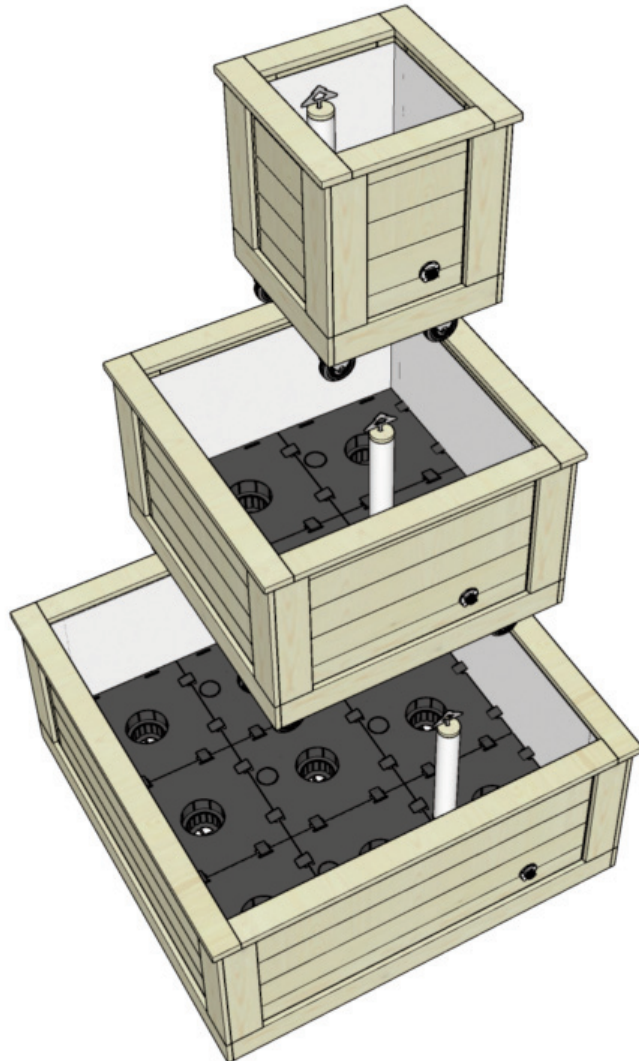
Our products are built for use based on proper installation and normal residential use, on level ground. Please follow the instruction manual when building your Planter and retain the manual for future maintenance purposes.

Some of the safety and usage measures you may wish to consider include:

-If the product is elevated, any structural and building code requirements are solely the customer's responsibility, and should be abided by.

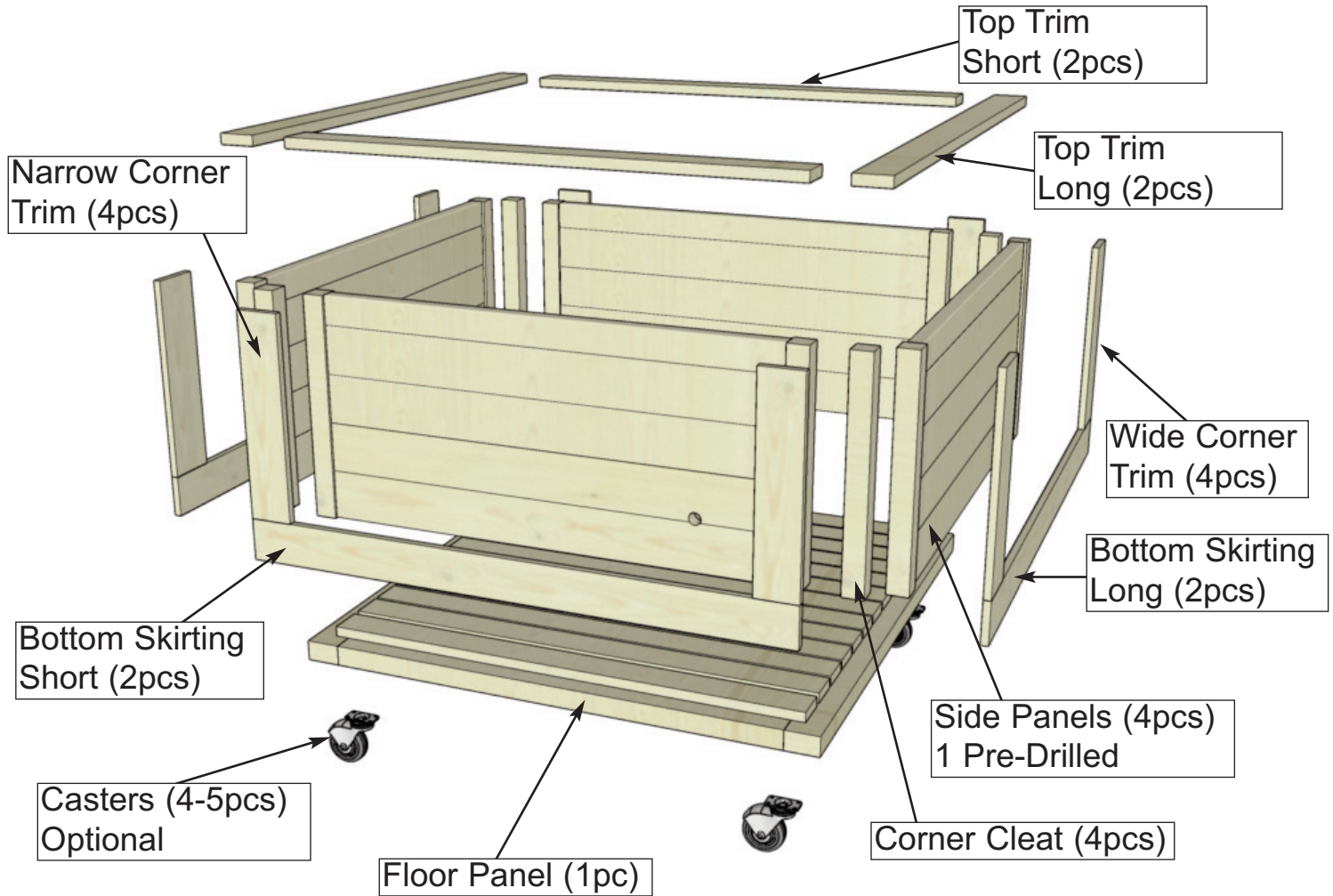
-In high or gusty wind conditions it is advisable to keep the structure securely grounded.

-Have a regular maintenance plan to ensure screws, doors, roof and parts are tight.



In the event of a missing or broken piece, simply call the Outdoor Living Today Customer Support Line @ 1-888-658-1658 within 30 days of the delivery of your purchase. It is our commitment to you to courier replacement parts, free of charge, within 10 business days of this notification. Replacement parts will not be provided free of charge after the 30 day grace period.

Exploded View and Parts List for SW Planter



Parts List

Note: This assembly manual can be used for 3 different sizes of self-watering planters – our 3ft x 3ft model, 2ft x 2ft model, and 1ft x 1ft model. Many of the sizes and quantities will be listed below as X/Y/Z, if you purchased the 3ft x 3ft model then look at the 1st item, if you purchased the 2ft x 2ft model then look at the 2nd item, and if you purchased the 1ft x 1ft model then look at the 3rd item.

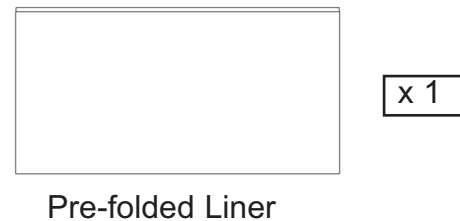
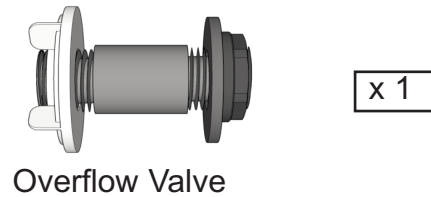
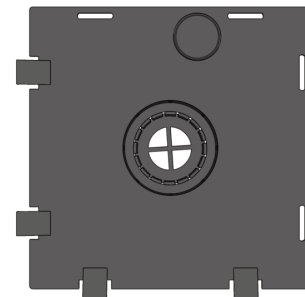
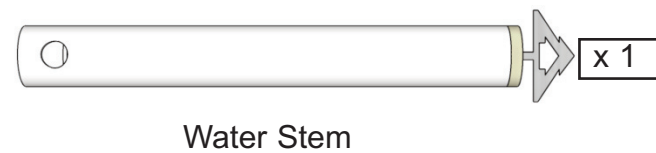
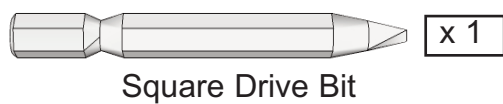
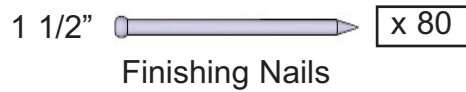
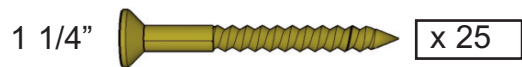
3'x3' / 2'x2' / 1'x1'	Thickness	Width (3x3/2x2/1x1)	Length (3x3/2x2/1x1)	Quantity (3x3/2x2/1x1)
Side Panels	1 1/2"	36" / 24" / 12"	16 1/8"	4
Corner Cleat	1 1/2"	1 1/2"	16 1/8"	4
Floor Panel	2 1/4"	39" / 27" / 15"	39" / 27" / 15"	1
Wide Corner Trim	1/2"	3 1/2"	14 5/8"	4
Narrow Corner Trim	1/2"	3"	14 5/8"	4
Bottom Skirting Long	1/2"	3"	40" / 28" / 16"	2
Bottom Skirting Short	1/2"	3"	39" / 27" / 15"	2
Top Trim Long	3/4"	2 1/2"	41" / 29" / 17"	2
Top Trim Short	3/4"	2 1/2"	36" / 24" / 12"	2
Casters (Optional)				5 / 4 / 4
SIP Tiles				9 / 4 / 1
Water Stem				1
Hardware Pack				1
Liner (1 spare)				2

Important:

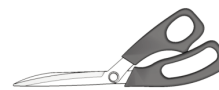
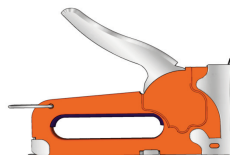
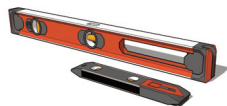
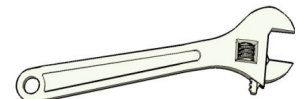
- We recommend you drill a 1/8" pilot hole for each screw, to avoid splitting wood. The hole depth should be equal to 3/4 the length of screw.
- All Trim and Skirting pieces are graded best face rough. This means the rough side will be exposed when completing these Sections.

SW33 / SW22 / SW11 Hardware List

Hardware Kit (Provided)



Tools Required (Not Provided)



Safety Equipment Required (Not Provided)



How to use you Self Watering Planter

Sub Irrigation

- Sub irrigation works by watering plants from below as opposed to the conventional top watering.
- This process is found in nature in areas like deltas, riverbeds, and groundwater wells.

Benefits

- The self-watering planter provides a more consistent and even distribution of water for your plants and vegetables.
- Saves you time and water by only having to fill the reservoir instead of daily watering.

Wicking Material

- A wicking material (not included) is recommended for your sips to function at their best.
- Common wicking materials such as vermiculite, perlite, coco-coir or peat moss are recommended and can be found at most landscape supply stores.

Soil Blends

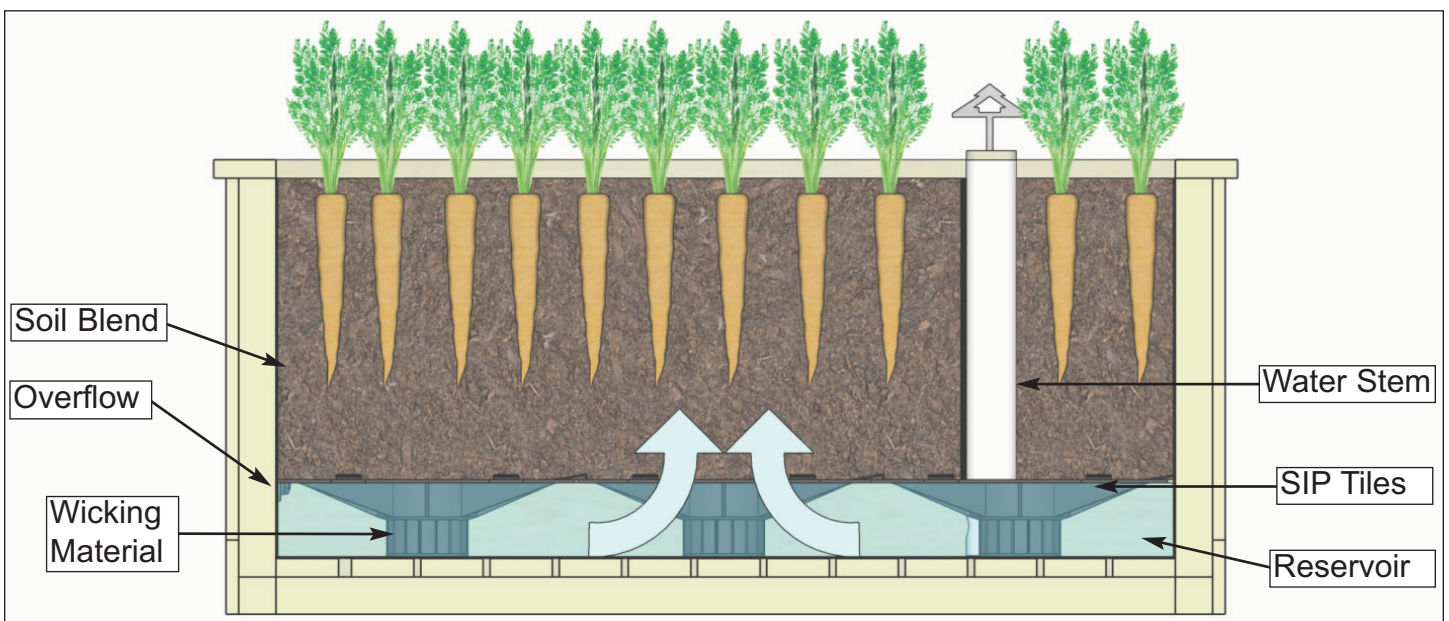
- Most high quality organic peat or coconut coir based potting mixes work or you can mix your own.
- Blend 1: 1 part vermiculite, 2 parts organic compost, 3 parts pea moss / coconut coir
- Blend 2: 1 part perlite, 5 parts organic compost, 10 parts pea moss / coconut coir

Watering Schedule

- The first time you water, give it a thorough soak from the top to start the capillary action. Capillary action is waters ability to travel up on its own, like dipping paper towel into a glass of water.
- Check the float gauge weekly to see how much water is in the reservoir.
- In the spring the planters generally only need to be filled once a month whereas in the hot summer months they will need to be filled weekly. Adjust based on your climate and location.

Yearly Maintenance

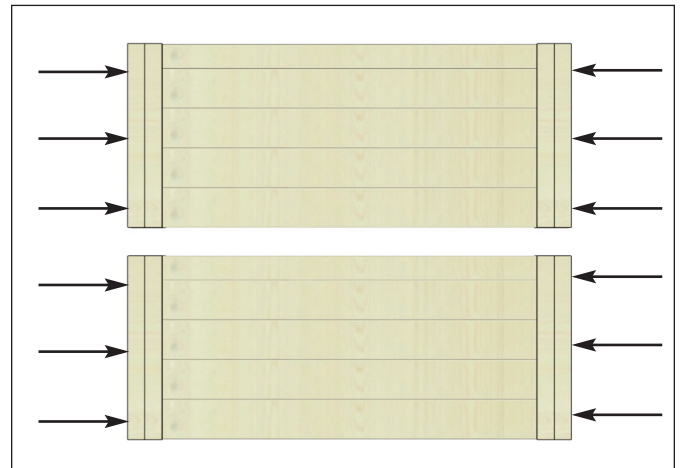
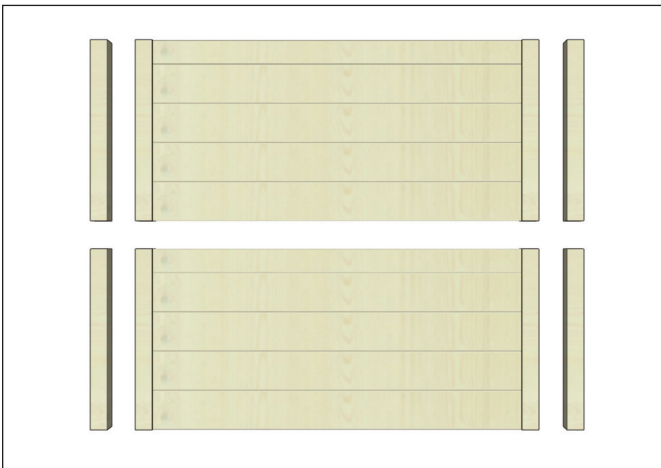
- Clean the exterior of your planter.
- Check overflow for blockage.
- Refinish wood work if desired.
- Test soil for pH and nutrients. Nutrients can be depleted each year and the pH can change. Do some research on the ideal pH and nutrient content for the plants/veggies you intend to grow.
- Use enzyme reservoir cleaner if desired to remove any organic waste build up.



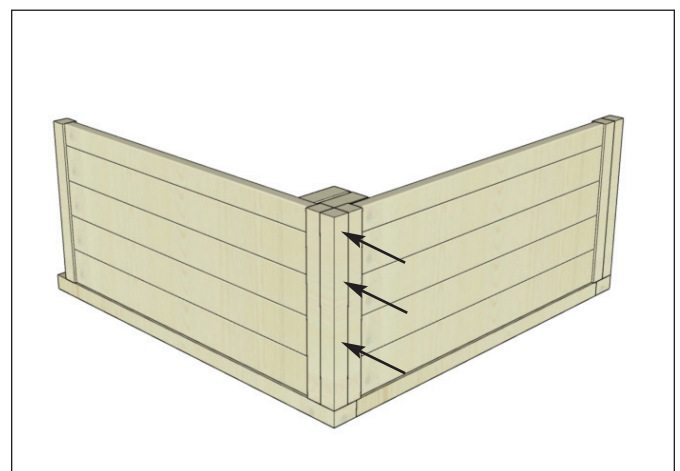
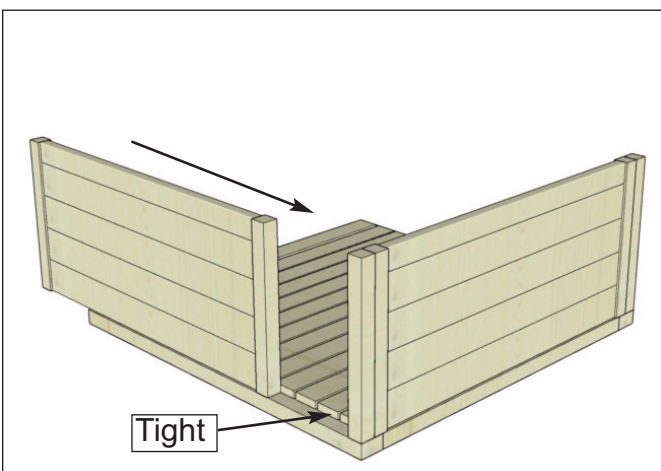
Before Building

- Ensure the planter is built on level ground in a sunny and accessible location.
- Plan to have the overflow pointed at the low point of your garden.
- Have a soil blend ready.
- If you are using a wicking material in your SIP's you will need 0.5L or 0.02ft³ per SIP.
- Keep sharp edges away from the liner.

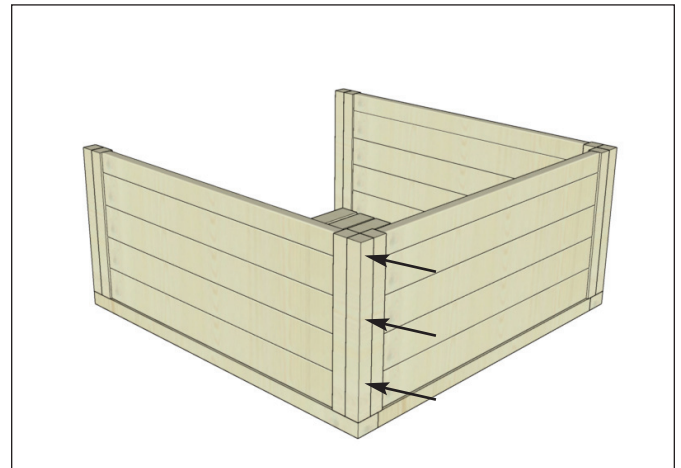
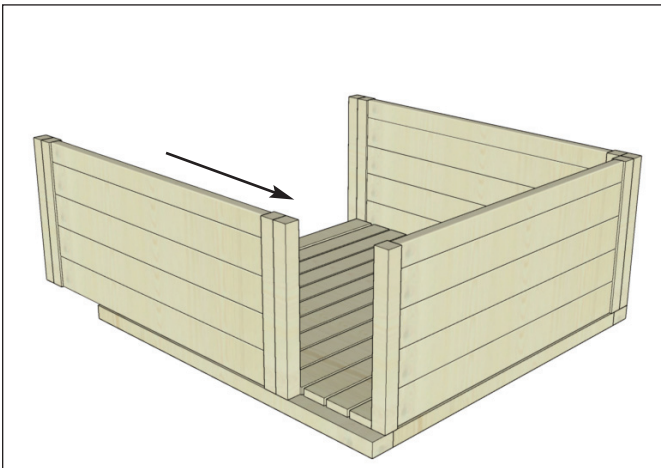
Model	Soil Required (ft ³)	Soil Required (L)
1x1	1.05	30
2x2	4.25	120
3x3	9.5	270



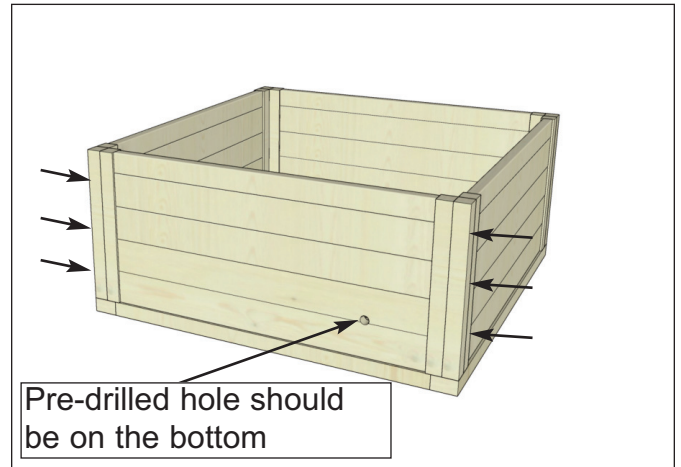
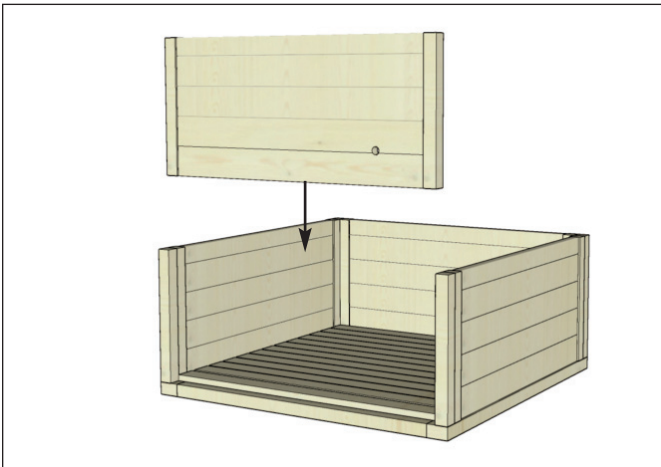
1. Locate 2 Side Panels and 4 Corner Cleats. Attach 1 Corner Cleat to each side of 2 Panels with **3 - 2 1/2" screws** per corner cleat (12 total). **Important:** Pre-drill pilot hole with 1/8" drill bit before fastening. **Note:** One panel has a pre-drilled hole for the overflow see **Step 4**.



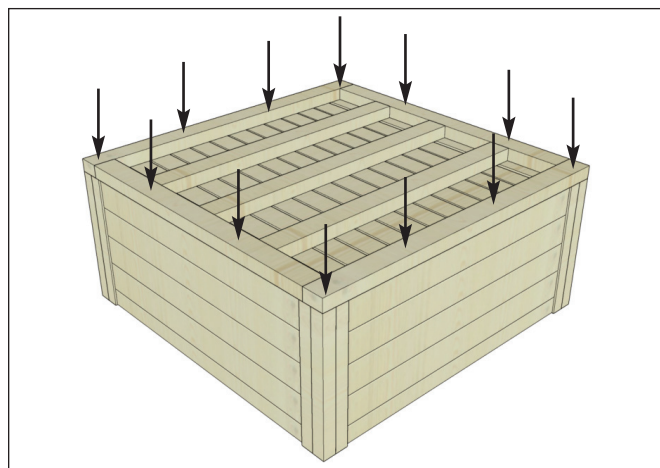
2. Locate floor frame and place on a level surface. You can use the floor frame as a guide to assemble the side panels. Fasten to Corner Cleat with **3 - 2 1/2" screws**. Ensure framing is flush with slats of floor.



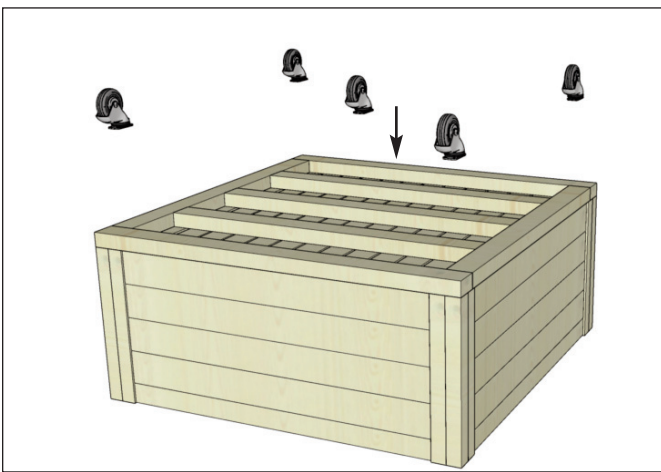
3. Attach third panel (with corner cleats) as per **Step 2**.



4. Attach final panel as per **Step 3**. Final panel has a pre drilled hole for the overflow.

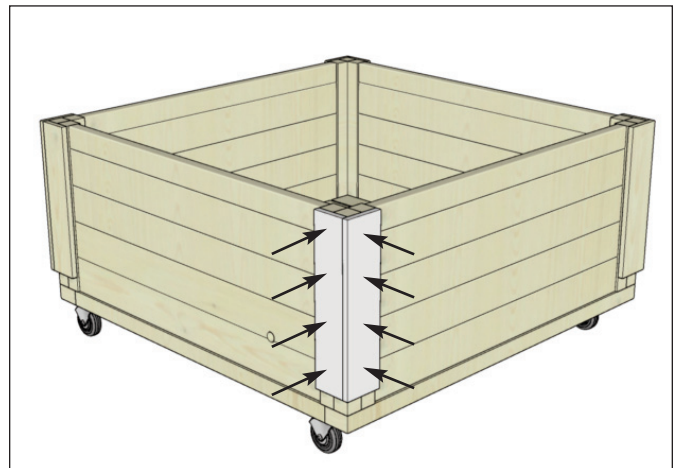
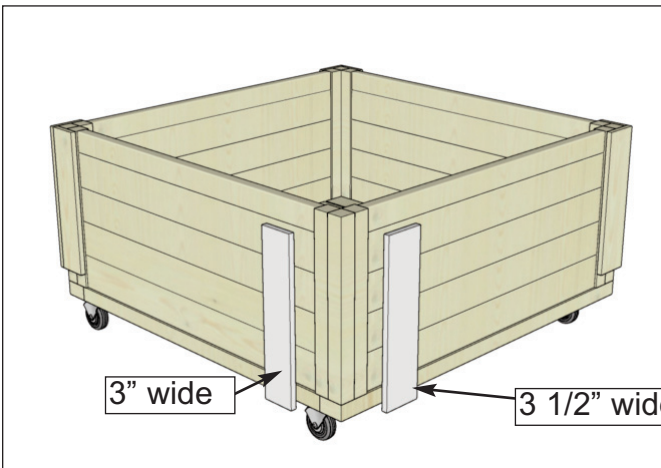


5. Flip Planter over and screw through floor frame into side panels with **12 - 2 1/2" screws**. Important: pre drill with 1/8" bit to avoid splitting. **Important:** ensure overflow hole is on the bottom near the floor.

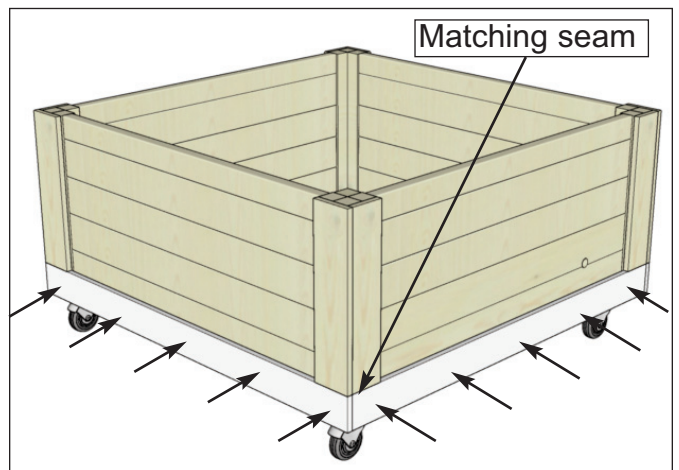
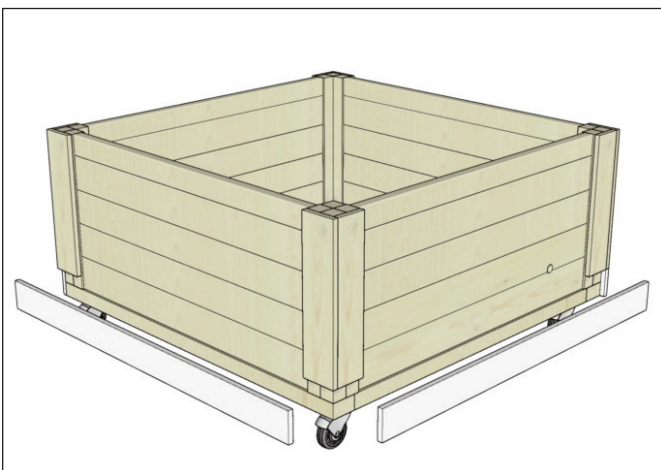


6. Optional: Locate Casters. Attach 5 Casters to underside of Floor Frame with **4 - 1 1/4" screws & 4 - washers** per caster. Hardware for Casters comes in the add on package with the casters. Place 1 Caster in each Corner and 1 Caster in the Center of floor frame.
Note: 1'x1' & 2'x2' versions only receive 4 casters, 1 in each corner.

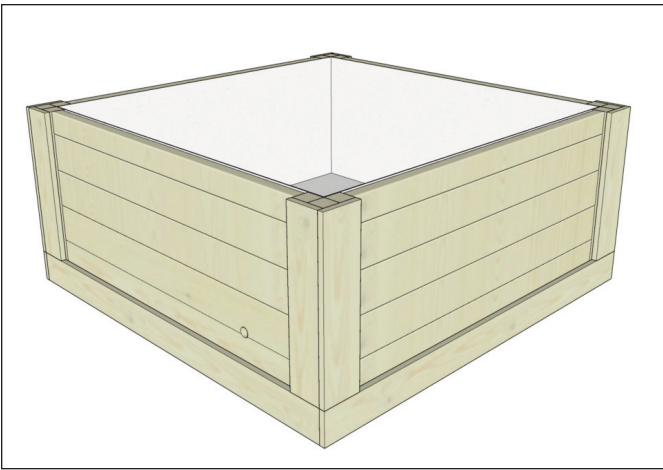
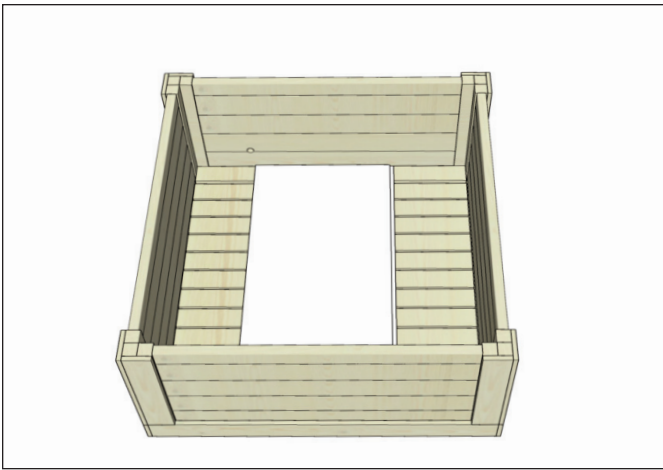
Note: All Trim and Skirting pieces are graded best face rough. This means the rough side will be exposed when completing these Sections.



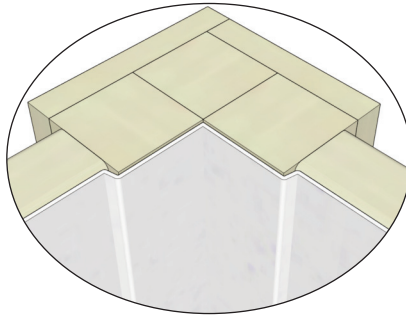
7. Attach wide and narrow corner trims to each corner with **4 - 1 1/2" finishing nails** per piece. One 3" wide corner trim covers framing, 3 1/2" wide corner trim covers framing and caps narrow corner trim. Complete each corner.



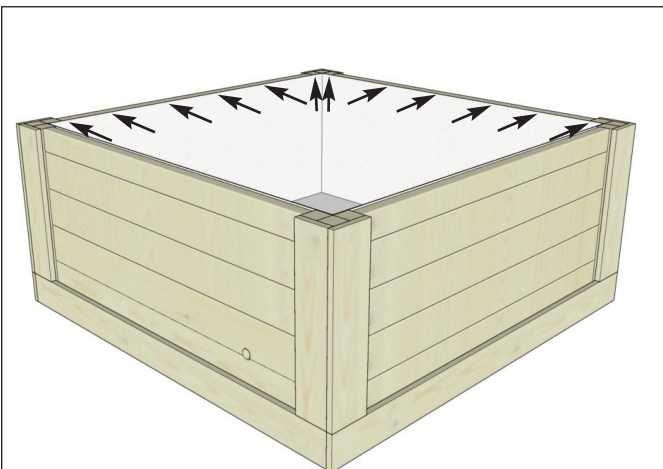
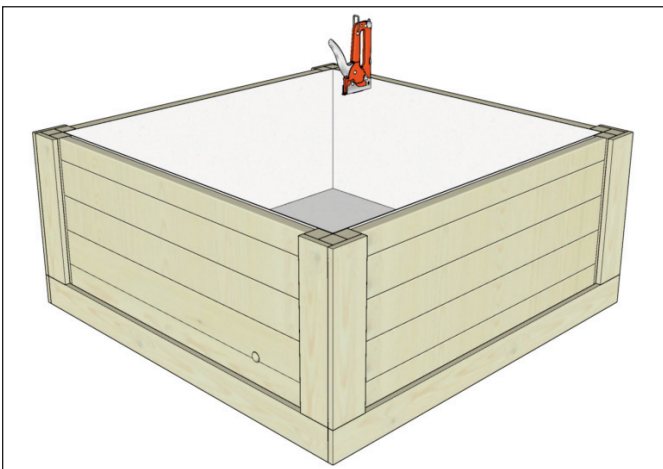
8. Install Bottom Skirting pcs below corner trims. Attach with **5 - 1 1/2" finishing nails** per piece. Match seams in corner trim pcs to seams in bottom skirting.



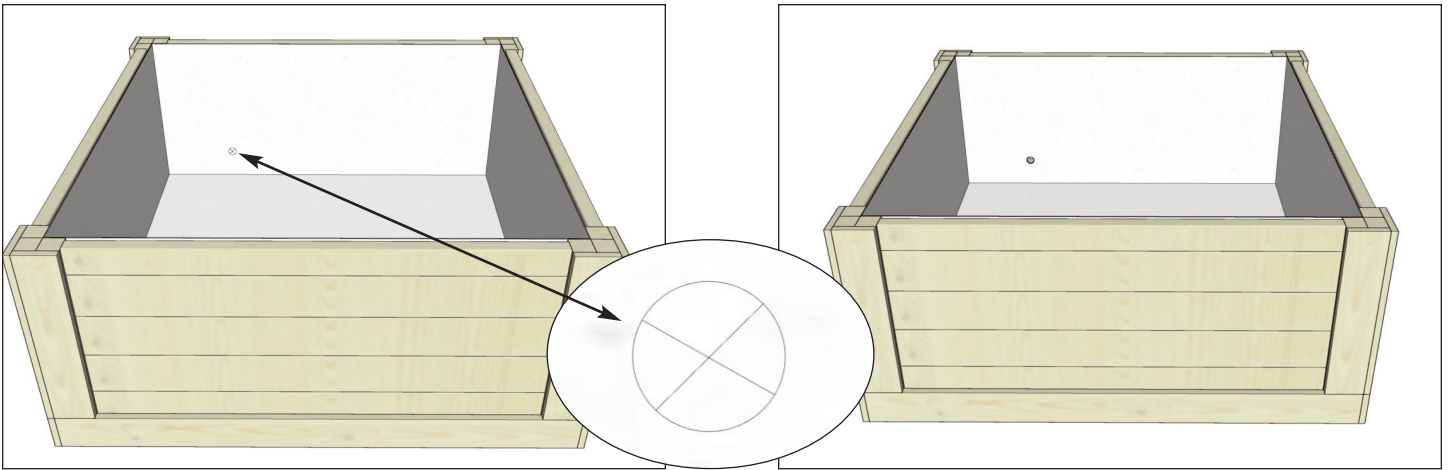
9. Important: Be sure not to puncture liner through following steps. Place liner into your Planter and unfold it into the box. Tuck nicely into bottom corners. Do a dry run to ensure a snug fit. Top of liner should lie just under the rim of Planter.



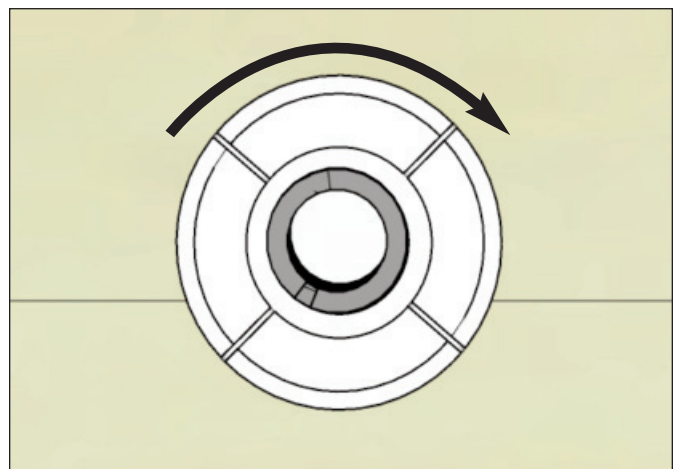
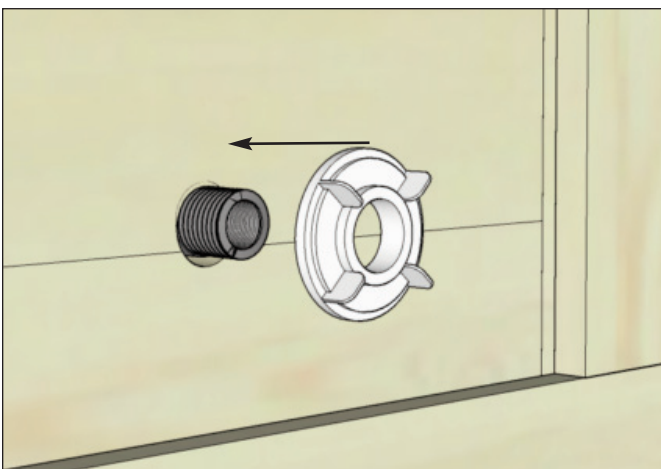
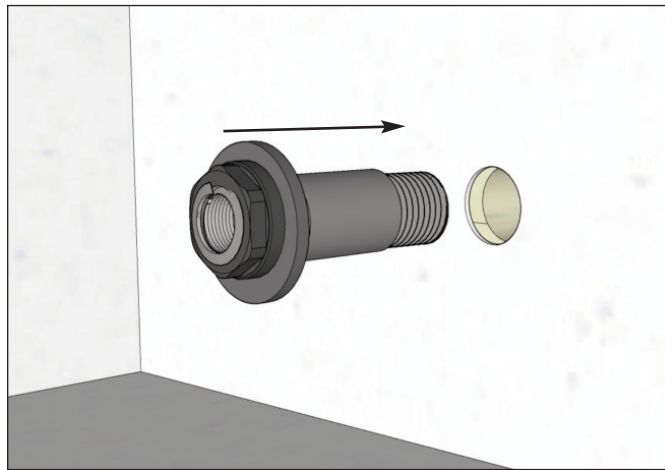
Tuck liner tight into corners when stapling.



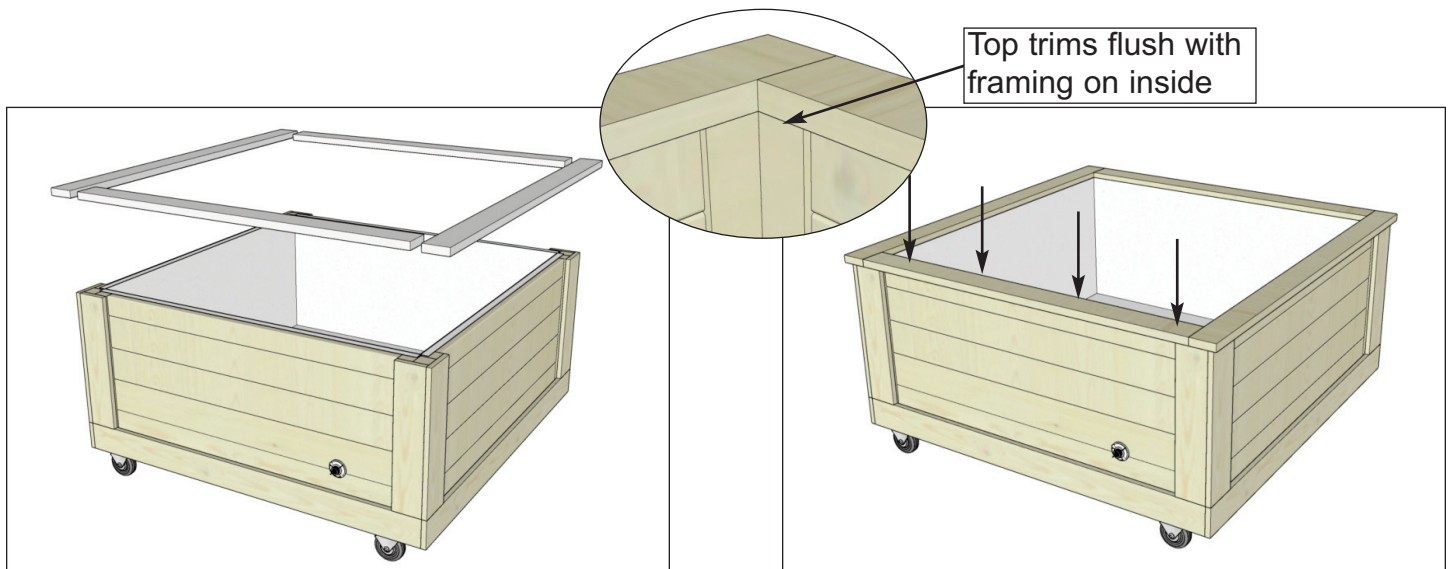
10. With liner positioned, staple the liner in place by stapling along the inner rim of the Planter. Staple every 6-8" (or less on a 1'x1'). Staple approximately 1/2" down from the top rim. Staple around the whole perimeter. The top of the Planter will be covered by trim in **Step 13**.



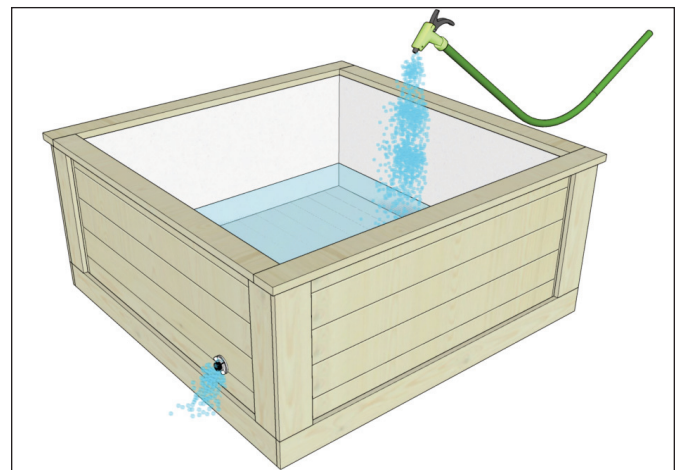
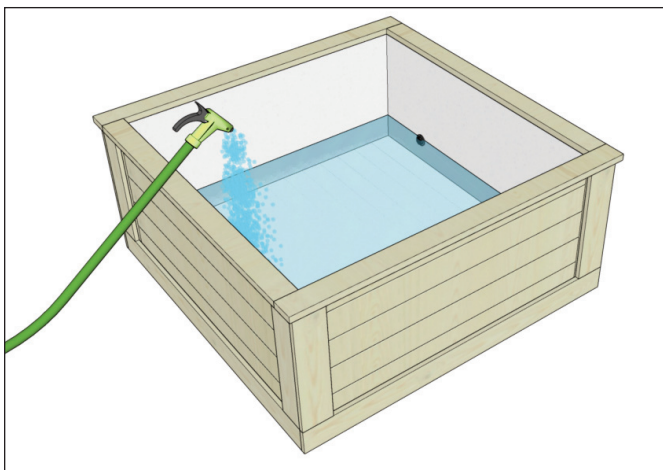
11. Feel for outflow hole through liner. Cut a small “x” with a knife to create a hole through both layers of the liner to match the overflow hole. Keep the hole as small as possible to prevent leaks. When cutting the hole ensure liner is tight to the bottom of Planter flush with the side wall.



12. Push the overflow valve through hole from inside the Planter. Secure overflow valve with the white piece on the outside. Screw tight so rubber gasket is compressed and no leaks can occur. If the Planter is not level position so the overflow is at the lowest point.

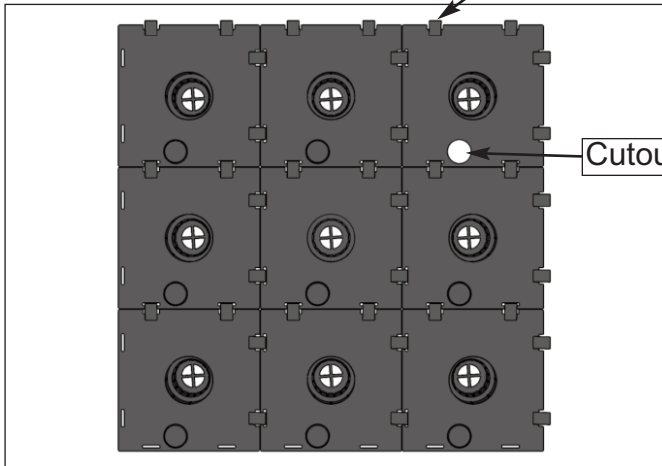


13. Locate Short & Long Top Trim pcs (2 each). Align Top Trim pcs along top of side walls as illustrated above and secure each piece with **4 - 1 1/2" finishing nails** (3/pc for 1'x1' model). The long trim pcs will cap the short ones as shown. Do a dry run to ensure correct fit.

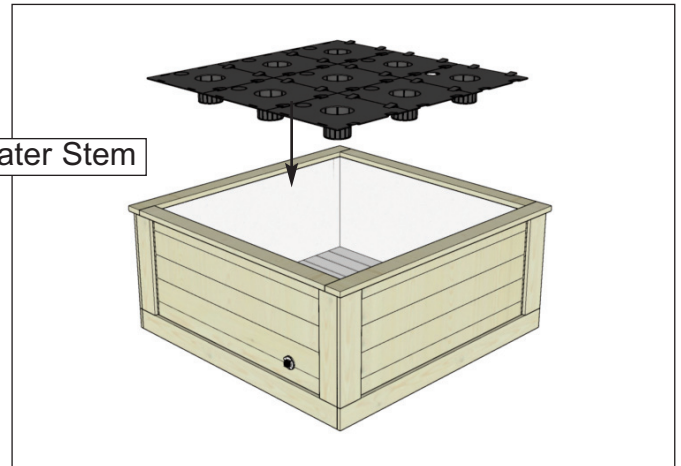


14. Before completing your Planter it is recommended to do a water test to check for leaks or tears. Fill your Planter with water until it's past the overflow and water begins to drain out. Leave the bed overnight and check the following morning for leaks around the overflow or pools of water below the Planter. If a leak occurs you may need to either tighten the overflow or your liner may be torn and it needs to be replaced with the spare one in your kit. If there are no leaks drain most of the water out by either tipping the bed to drain through the overflow or scooping it out. When filling the SIP tiles in **Step 17** you don't want to have the water level filling the pots.

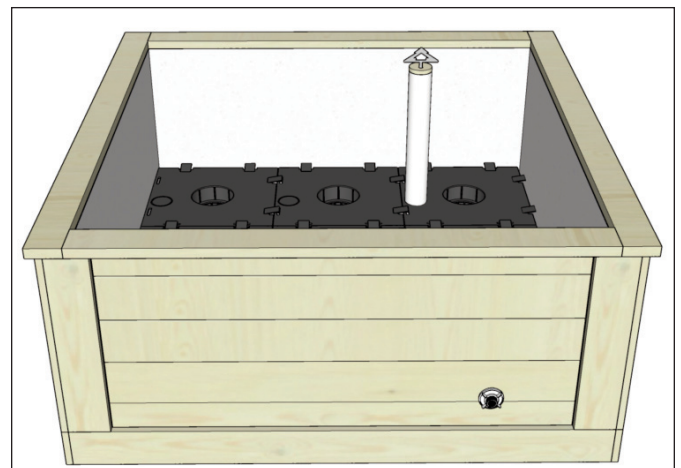
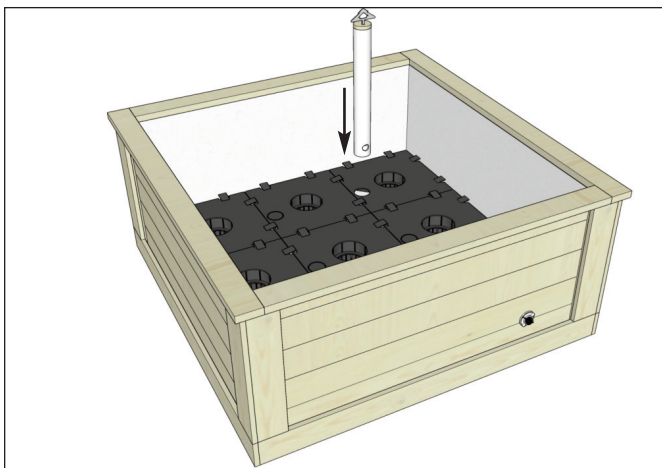
Bend these clips upwards



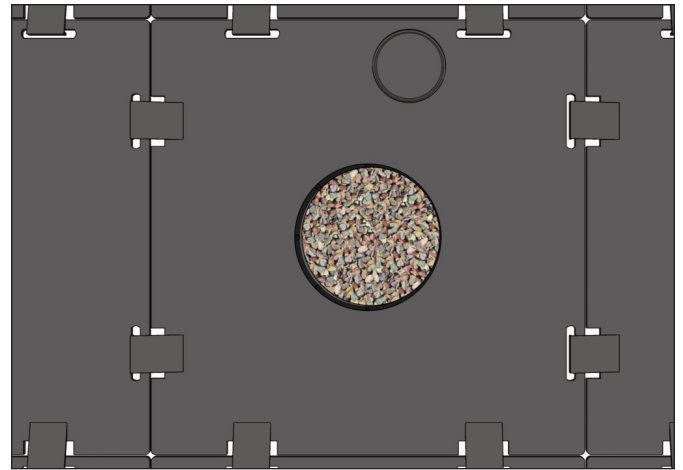
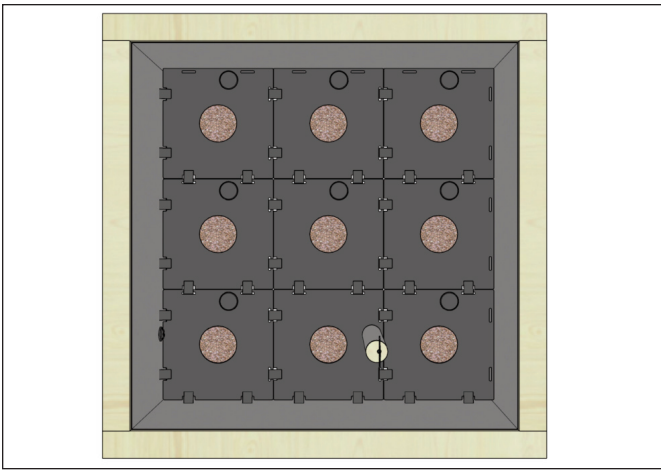
Cutout for Water Stem



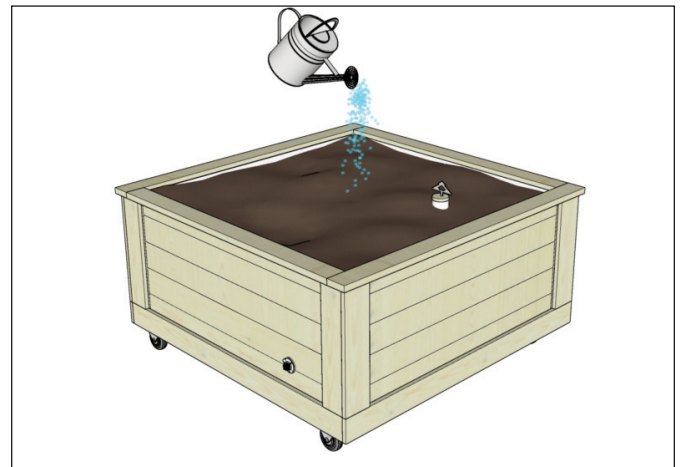
15. Snap SIP tiles together, 1 tile will have a hole cut out for the water stem. Place assembled tiles into Planter. Bend the clips on the perimeter of your Planter upwards. Position cutout so it is on the opposite side of the overflow valve. **Note:** 4 SIP's/ 2'x2' model & 1 SIP/ 1'x1' model.



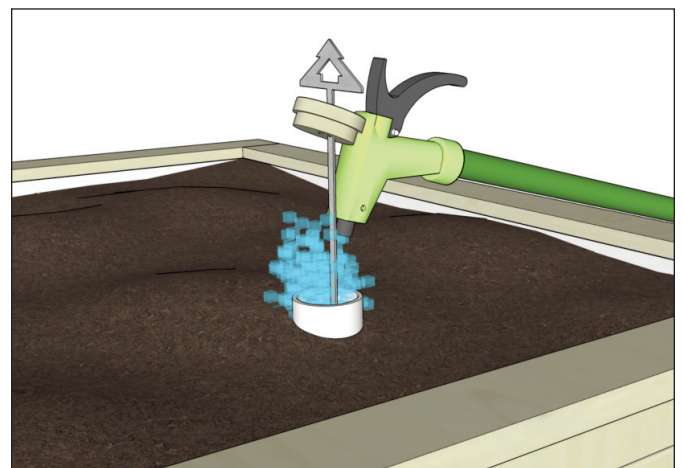
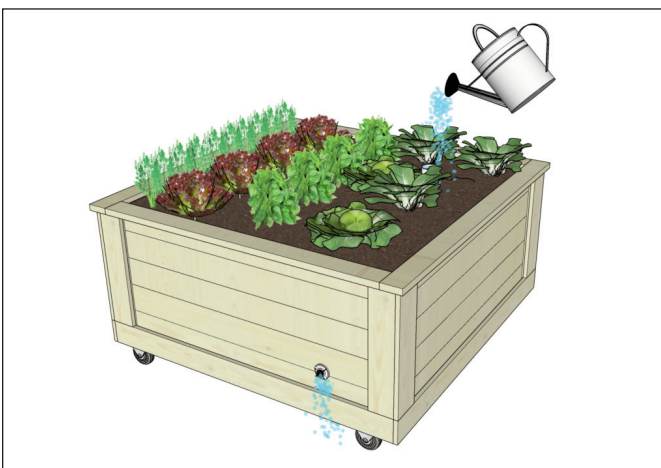
16. Locate the water stem and insert it into the cut out in the tile. Base of water stem should rest on the floor of Planter.



17. Fill SIP tiles with vermiculite or other wicking material such as peat moss, coco coir or perlite.
Note: wicking material is not included in this kit but can be found at your local landscape supply store. If none is available you can use your soil blend as the wicking material.



18. Fill Planter with soil. Top water the Planter before your first plant and give it a thorough soak. This starts the capillary action so your garden will pull water from the reservoir.



19. Plant your seeds or starter plants and top water them again to settle them in. Top water for the first few weeks until roots are established. Lastly watch the float gauge and fill the reservoir when needed. Fill the reservoir by lifting the top cap of the water stem. Fill until water begins coming out of the overflow.



Congratulations on assembling your Self-Watering Planter

Note: Our products are shipped as unfinished products. If exposed to the elements, the cedar lumber will weather to a silvery-gray color. If you prefer to keep the cedar lumber looking closer to the original color, we suggest that you treat the wood with a good oil base wood stain. You may also wish to paint your new garden rather than stain it. In both cases we recommend that you consult with a paint and stain dealer in your area for their recommendations.

We hope your experience assembling your Self-Watering Planter has been both positive and rewarding.

We value your feedback and would like to hear back from you on how well we are doing in the following areas:

1. Customer Service
2. On Time Shipping
3. Motor Freight Delivery
4. Quality of Materials
5. Assembly Manual
6. Overall Satisfaction.



Please call, write or email us at:

Outdoor Living Today

Canadian Address
9393 287th Street
Maple Ridge, British Columbia
Canada V2W 1L1

United States Address
P.O. Box 96
Sumas, Washington
USA 98295



The materials contained in this Assembly Manual may be downloaded or copied provided that ALL copies retain the copyright and any other proprietary notices contained on the materials. No material may be modified, edited or taken out of context such that its use creates a false or misleading statement or impression as to the positions, statements or actions.