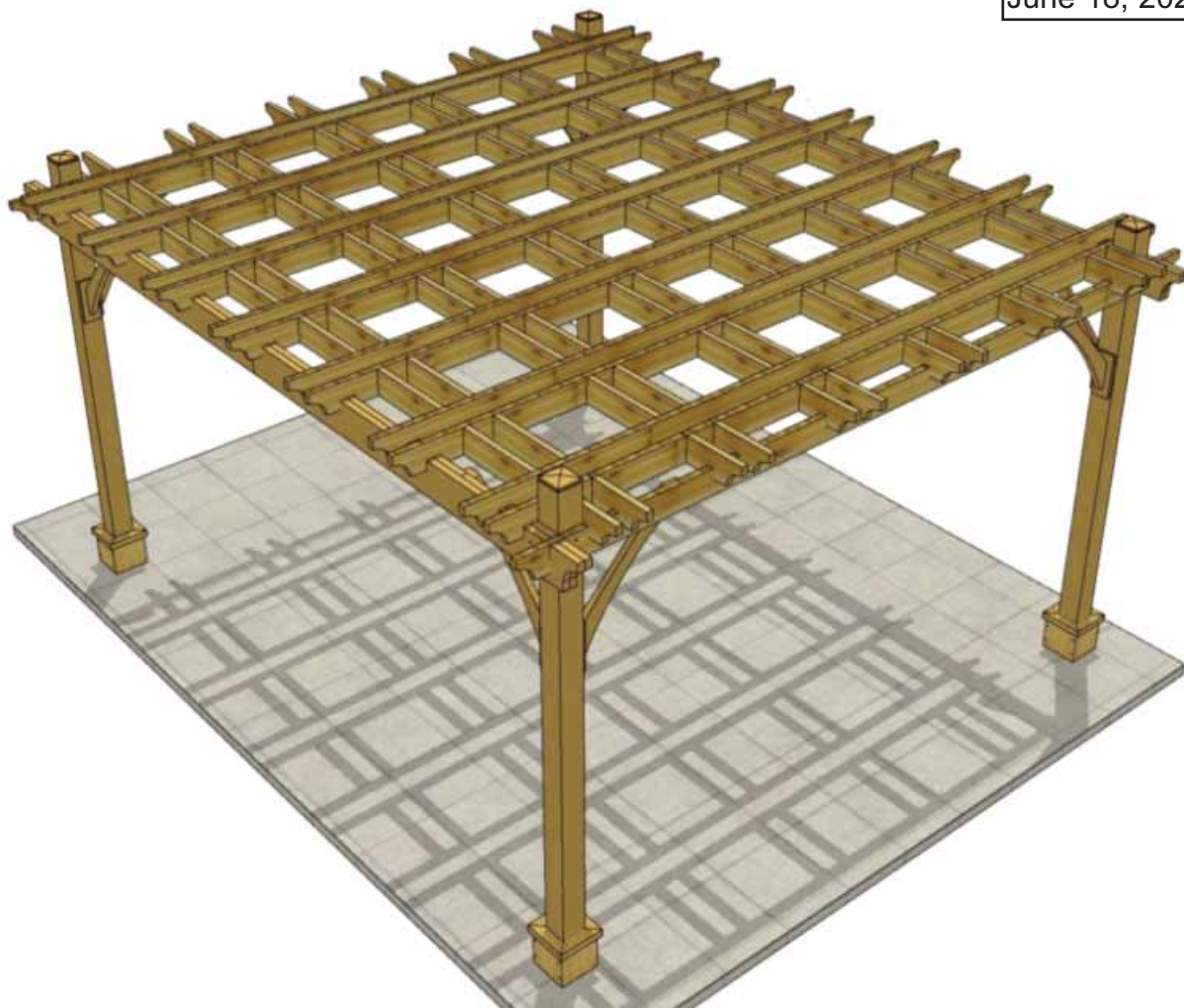




# 14ft X 16ft -4 Post Breeze Pergola Assembly Manual

## Outdoor Living Today

Revision #3  
June 18, 2020



**Note:** Post Mounting Hardware is **NOT** included in this kit. Please confirm with your local building permit office to determine the correct hardware in your area.

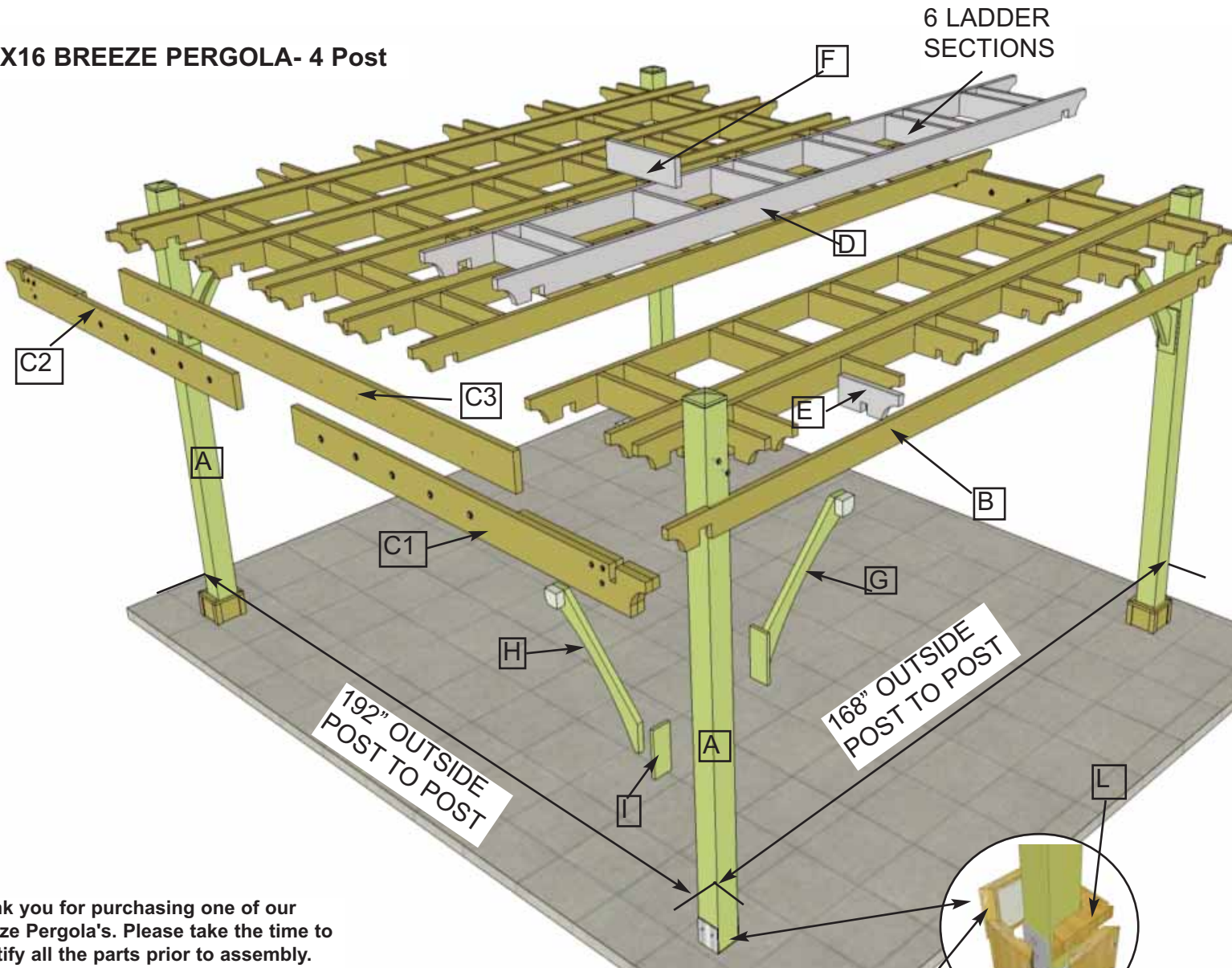
If you plan to paint or stain your Pergola before assembly, be sure to scribe or mark the top edge of Joist where Stub Joists and Ladder Blockings are pre-marked. Painting or staining may cover up markings, making it more difficult to align components later.

**Customers agree to hold Outdoor Living Today and any Authorized Dealers free of any liability for improper installation, maintenance and repair of any Outdoor Living Today products.**

**In the event of a missing or broken piece, simply call the Outdoor Living Today Customer Support Line @ 1-888-658-1658 within 30 days of the delivery of your purchase. It is our commitment to you to courier replacement parts, free of charge, within 10 business days of this notification. Replacement parts will not be provided free of charge after the 30 day grace period.**

# 14X16 - 4 Post Double Girder BREEZE PERGOLA EXPLODED VIEW

## 14X16 BREEZE PERGOLA- 4 Post



Thank you for purchasing one of our Breeze Pergola's. Please take the time to identify all the parts prior to assembly.

### Parts Lists:

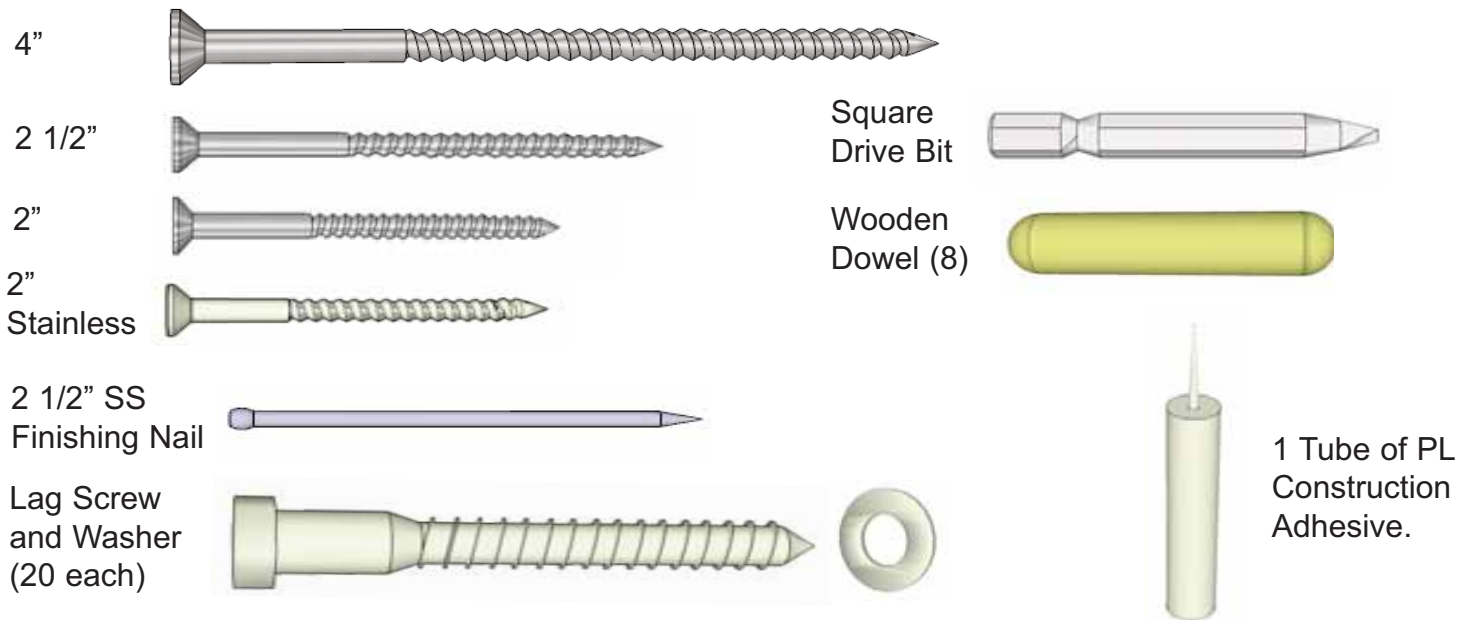
	Thickness	Width	Length	Qty.
<b>A - Posts</b>	5 1/2"	5 1/2"	108"	4
<b>B - (Girder deep notch on bottom)</b>	1 1/2"	5 1/2"	189"	2
<b>C1 - Girder (deep notch on top)</b>	3 3/16"	7 1/2"	105"	1
<b>C2 - Girder (deep notch on top)</b>	3 3/16"	7 1/2"	105"	1
<b>C3 - Girder</b>	1 1/2"	7 1/2"	140"	1
<b>C4 - Girder (deep notch on top)</b>	3 3/16"	7 1/2"	105"	1
<b>C5 - Girder (deep notch on top)</b>	3 3/16"	7 1/2"	105"	1
<b>C6 - Girder (deep notch on top)</b>	1 1/2"	7 1/2"	140"	1
<b>D - Joist (shallow notch on bottom)</b>	1 1/2"	5 1/2"	189"	14
<b>E - Stub Joist</b>	1 1/2"	5 1/2"	14 1/2"	24
<b>F - Blocking</b>	1 1/2"	5 1/2"	20 1/4"	72
<b>G - Left Brackets</b>	1 1/2"	5 1/2"	34 3/4"	4
<b>H - Right Brackets</b>	1 1/2"	5 1/2"	34 3/4"	4
<b>I - Corner Bracket Post Mount</b>	3/4"	4 1/2"	10 1/2"	8
<b>Post Skirting Kits - 4 Kits / Each includes:</b>				
<b>J - Post Skirtings with Cleat</b>	1 1/2"	9"	7 1/4"	2
<b>K - Post Skirtings- Dado Cut</b>	1 1/2"	9"	7 1/4"	2
<b>L - Post Skirting Caps</b>	1 1/2"	2 1/2"	10 1/2"	4
<b>Hardware Kit, Assembly Manual found in Plastic Bag.</b>				

**Specifications:**  
**Wood Species - Western Red Cedar**  
**Grade - Architectural Knotty or Better**  
**Posts - Laminated Western Red Cedar**  
**Lag Screws and Washers - Zinc Plated 4" & 2 1/2" & 2" - Brown Screws**  
**2" Screws - Stainless Steel**  
**2 1/2" Finishing Nails - Stainless Steel**

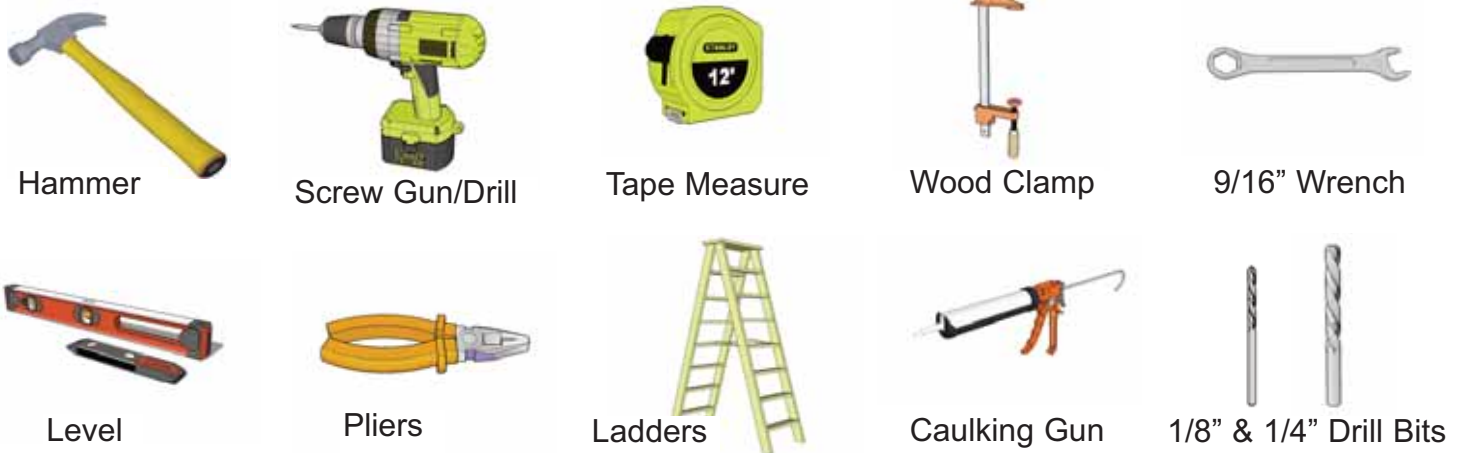
**Overall Outside Dimensions:**  
**210"l x 189"w x 108"high**  
**Height (Ground to Bottom of Girder) 94 1/2"**  
**Post Mounts - Not Included with Kit**  
**Recommended Post Mount**  
**Simpson Strong Tie - ABU66**

# 14x16 BREEZE PERGOLA HARDWARE PACKAGE

## Hardware Kit (Provided)



## Tools Required (Not Provided)



## Safety Equipment Required (Not Provided)



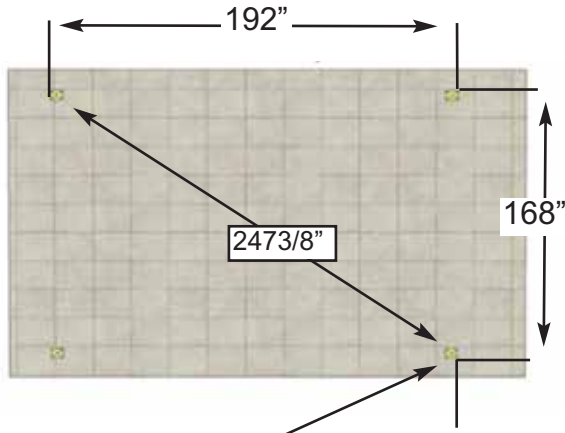
**Important - Western Red Cedar Lumber and Timbers will have surface splitting that occurs as lumber seasons and dries to the moisture content in your area. Splitting or “checking”, as it is referred to, can be 1/8” to 1/4” wide and can run several feet. This does not diminish the structural integrity of the material in any way.**

## Laying out your Footprint

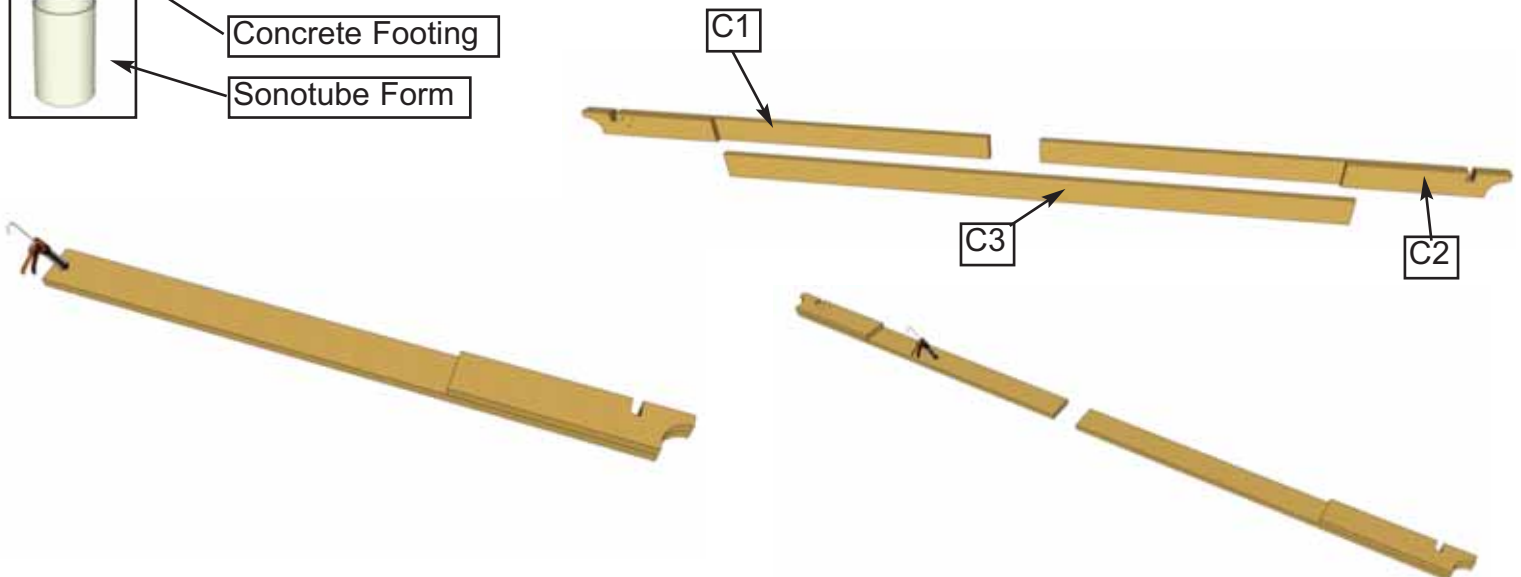
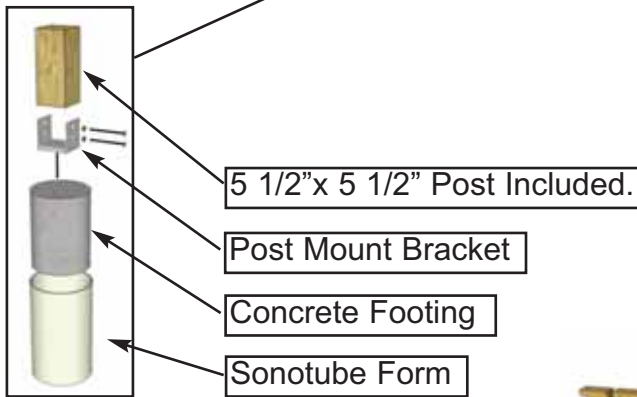
To determine the proper placement of your 5 1/2” x 5 1/2” Posts, see the exploded view on **Page 2** to find the measurements and to determine their correct positions. Outside Post to Post measurements for the 14’x16’ Breeze are: 168” x 192”.

Overall Inside Diagonal Post to Post measurement is 247 3/8”. Take diagonal measurements to check your layout for square.

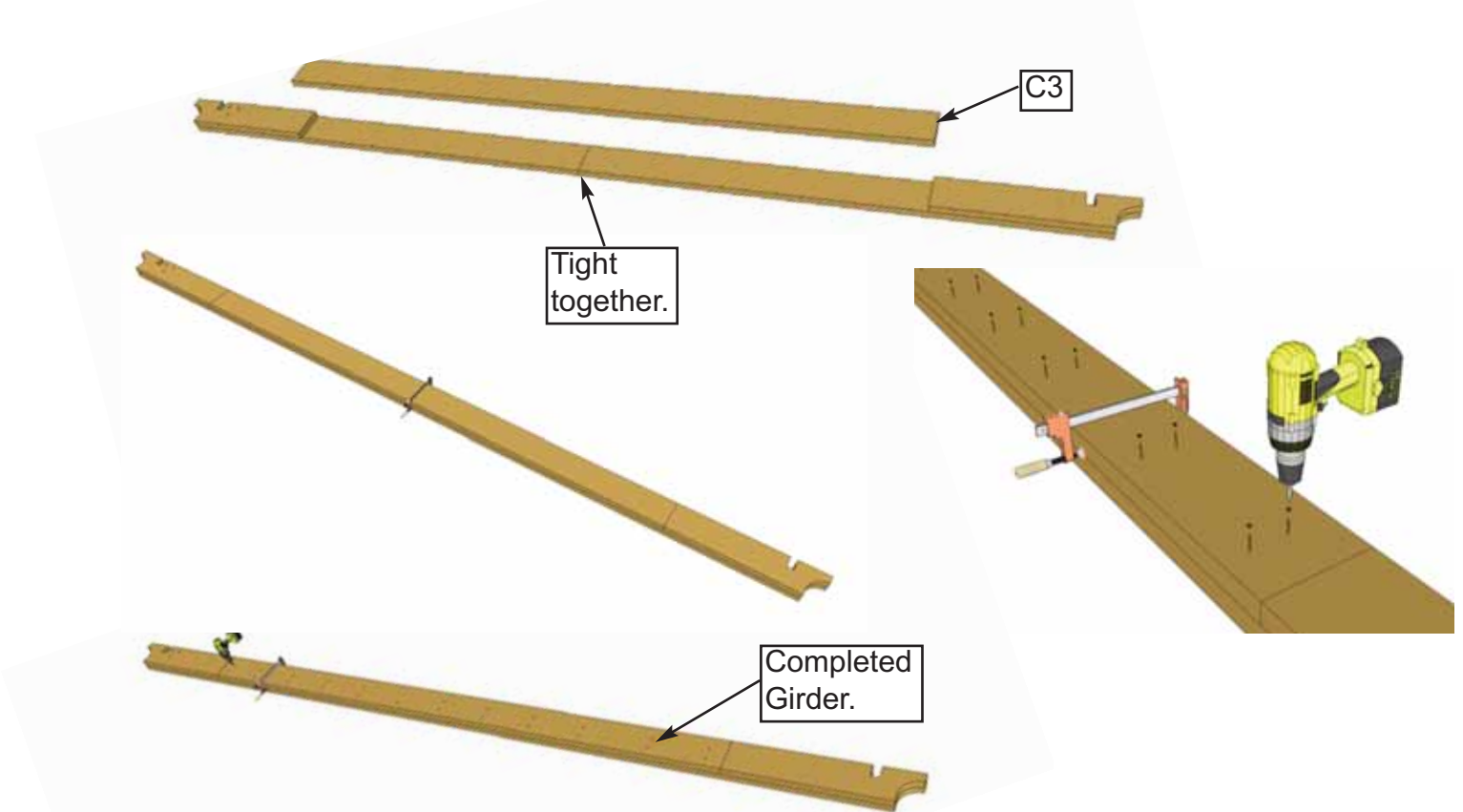
We recommend that you fix Posts to ground using Steel Post Bases or Saddle Brackets fixed on concrete footing. If attaching Posts to pre-existing deck, we recommend that you purchase Post / Deck Mounting Brackets. In both cases, Post Mounting hardware can be found at most Hardware Stores.



Typical Patio Footing Config.

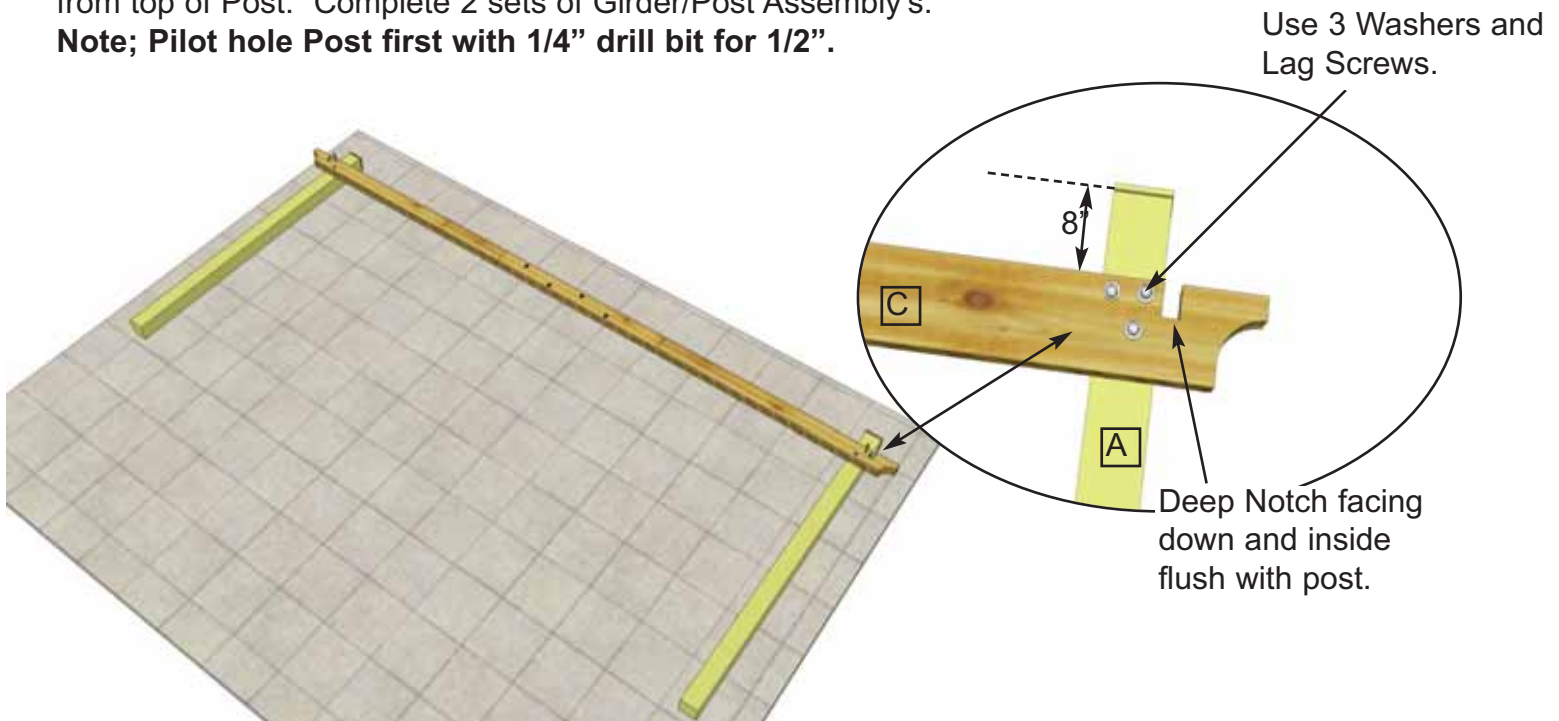


**1.** On flat level ground, locate Parts **C1, C2 & C3** - Girders. C1 & C2 are 1 1/2” x 7 1/2” Material screwed together that is 105” long. They are notched. C3 is 1 1/2” x 7 1/2” x 140” long. Using a Caulking Gun, apply a generous amount of PL Construction adhesive to the C1 and C2 inside face.



**2.** Position C3 Girder between C1 and C2 Girders and attach with 24 - 2 1/2" screws. Be sure that C1 and C2 ends are pushed tight together before screwing. Use a wood clamp (if available) to ensure girders are even at top and bottom. If C3 has a bow, make sure crown is facing up before attaching. Wipe excess glue with a damp rag. Complete C4, C5 & C6 now as per Steps 1 & 2. PL Construction Adhesive takes approximately 24 hours to cure.

**3.** On flat level ground, Lag screw the completed **Girder** with **Deep Notch on top** to two **Posts (A)** approximately 8" from top of Post. Complete 2 sets of Girder/Post Assembly's. **Note; Pilot hole Post first with 1/4" drill bit for 1/2".**

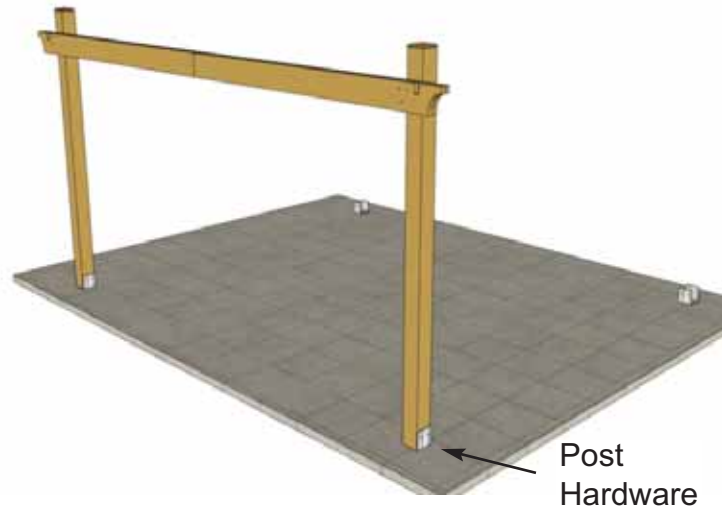




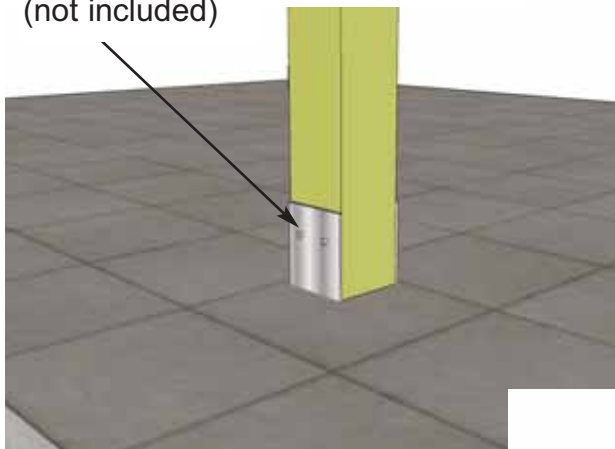
**Important-** You will require the assistance of 2 helpers to support the posts up to **Step 9.**

**4.** Lift up a completed Post/Girder Assembly slowly and carefully. Make sure Girder is facing outward.

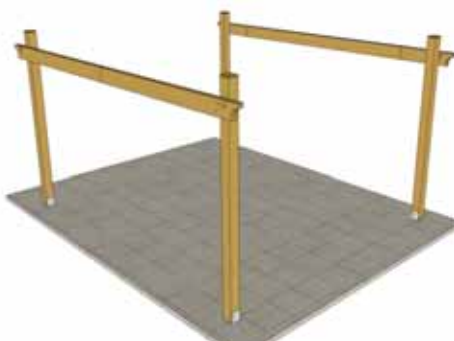
**5.** If Post Mount Hardware is installed, position bottom of Posts in Hardware.



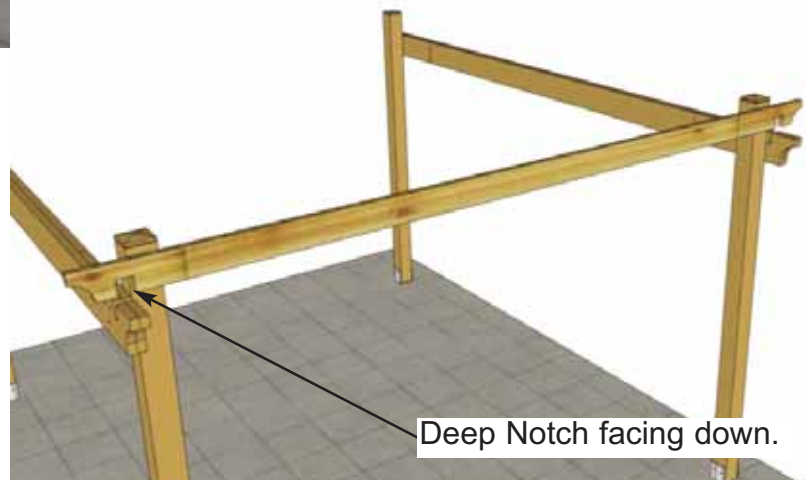
Lag Screws  
(not included)



**6.** Secure Post to Post Hardware with appropriate hardware such as lag bolts or a sufficient number of screws. **(Hardware Not Supplied)**

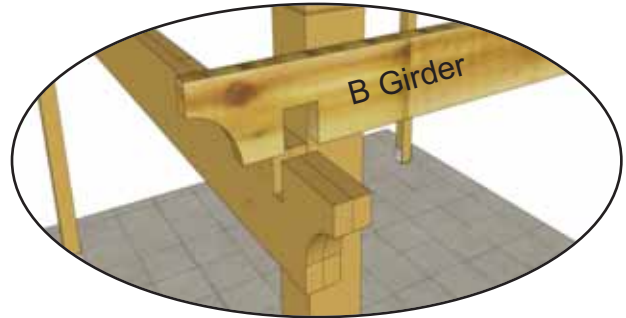
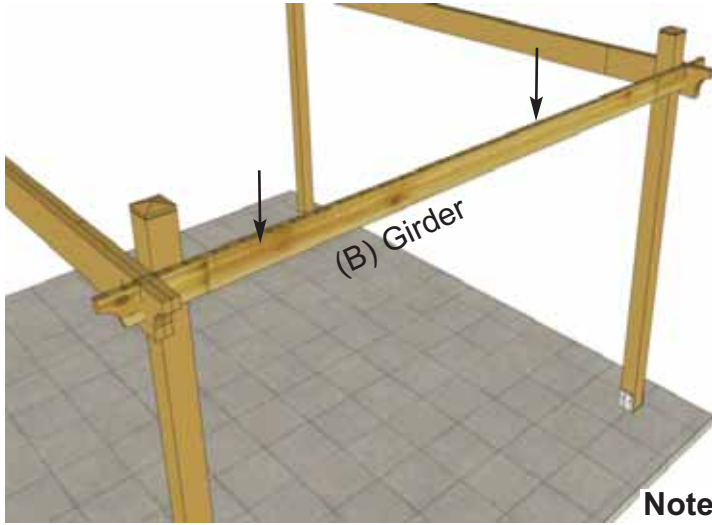


Lift, position and attach the second Post/Girder Assembly to Post Hardware.

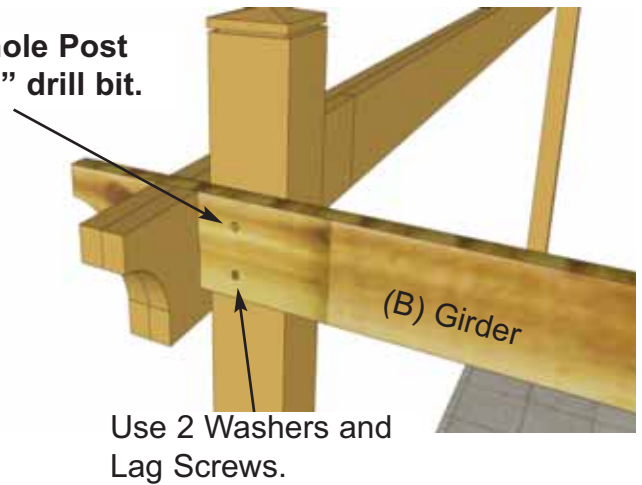
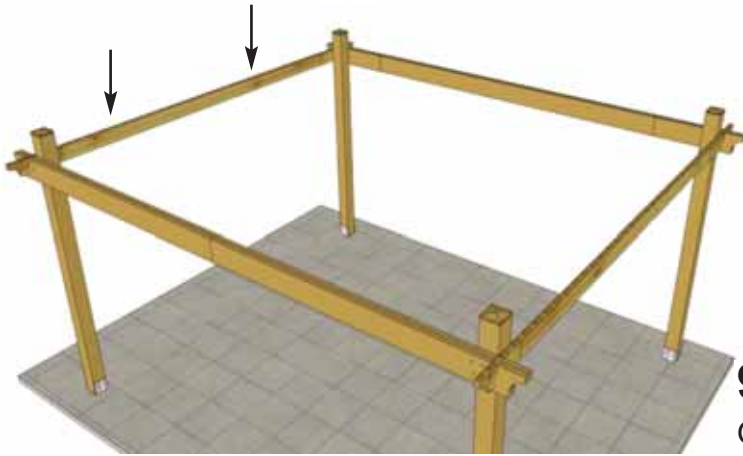


**7.** Locate **Girder with Deep Notch on Bottom (B)** and lift up between both completed Post/Girder Assembly's.

**8.** Carefully lower (B) Girder down into notch of (C) Girders. Be careful not to twist the Girder when dropping down into place. Lag Screw Girder to Post. Pilot hole first.

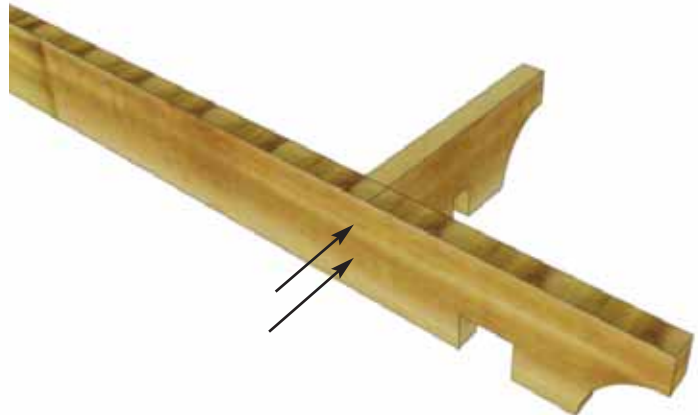
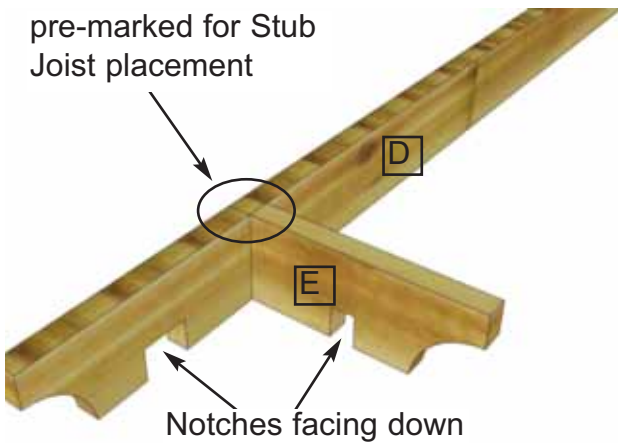


**Note; Pilot hole Post first with 1/4" drill bit.**



**9.** Lift, position and Lag Screw the second (B) Girder to Posts.

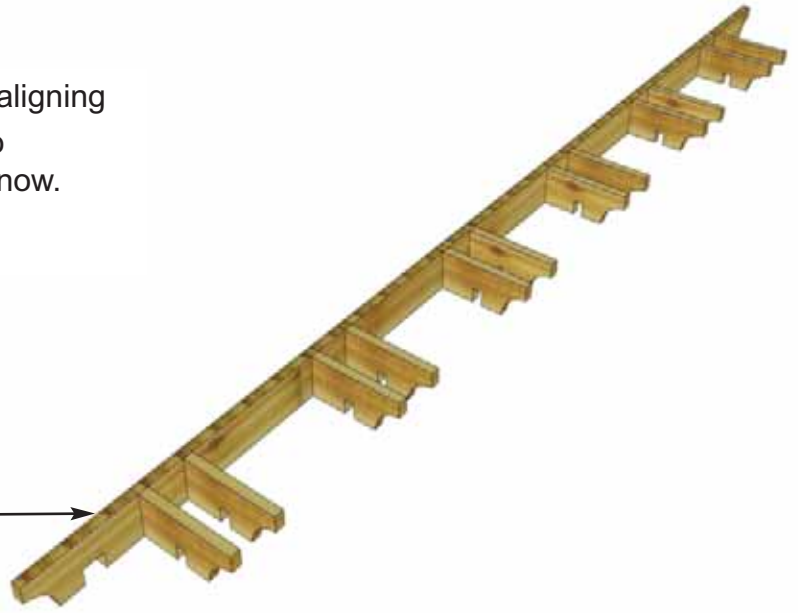
pre-marked for Stub Joist placement



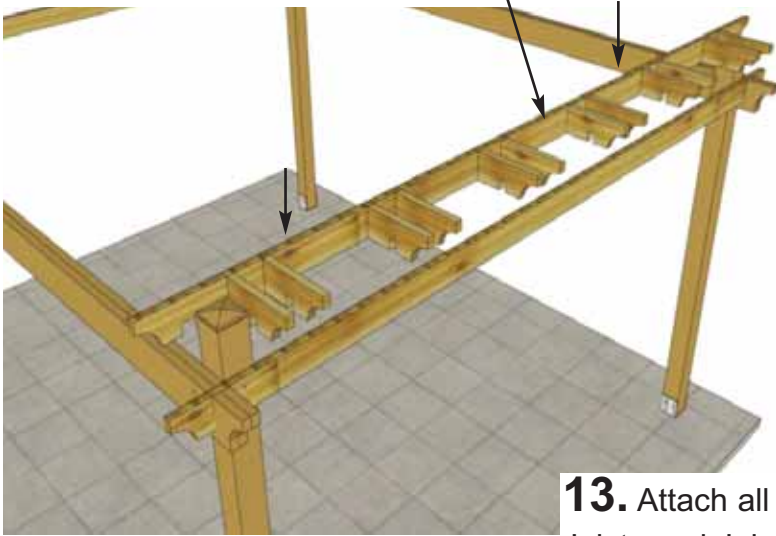
**10.** On level ground, position **Joist (D)** and **Stub Joists (E)** together at pre-marked top edge location. Joists are pre-marked on top edge for Stub Joist and Blocking positioning. Attach Stub Joist with 2 - 2 1/2" screws. Stub Joists should be flush with top and bottom of Joist with all notches facing down.

**11.** Complete the remaining 11 Stub Joists aligning and attaching as per **Step 10**. There are two Joist / Stub Joist Assembly's, complete both now.

Completed Joist/ Stub Joist connections.

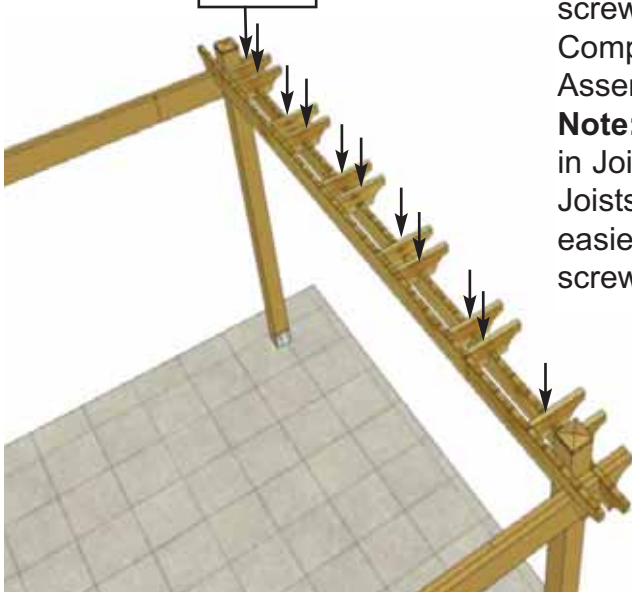


**12.** Carefully lift up completed Joist / Stub Joist Assembly and fit notches onto Girder.

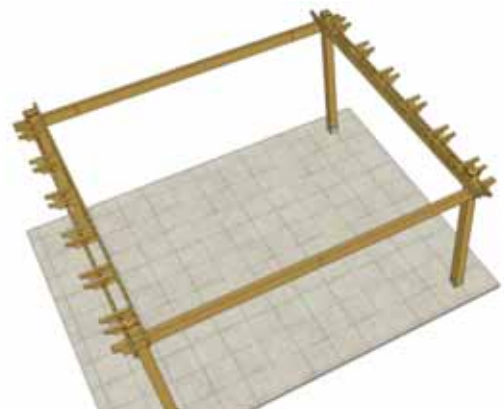
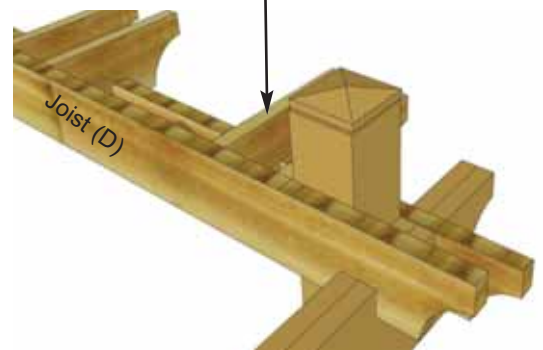


**13.** Attach all Stub Joists and Joist to Girder with 1 - 4" screw per piece. Complete both Assembly's  
**Note:** Drill pilot holes in Joists and Stub Joists to make it easier to screw in 4" screws.

4" long screws

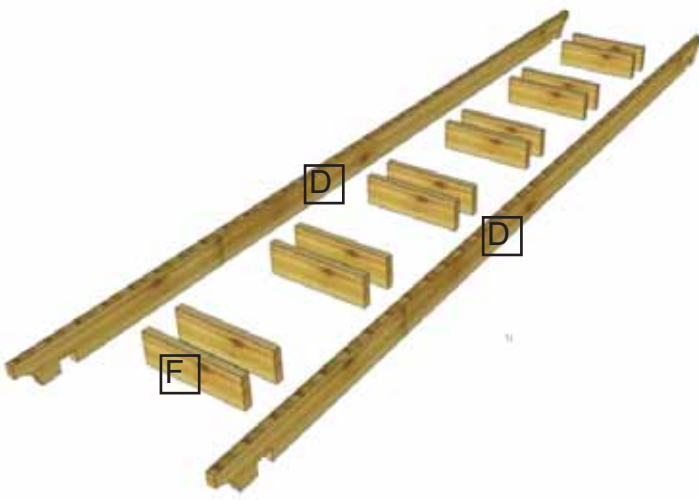


1 - 4" screw

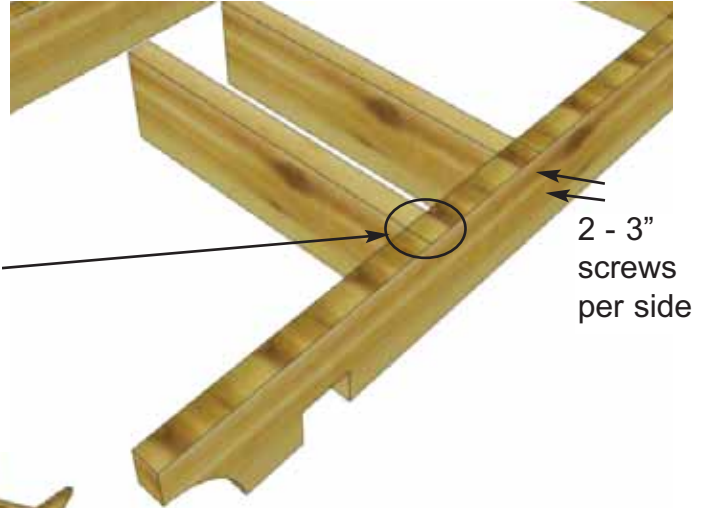




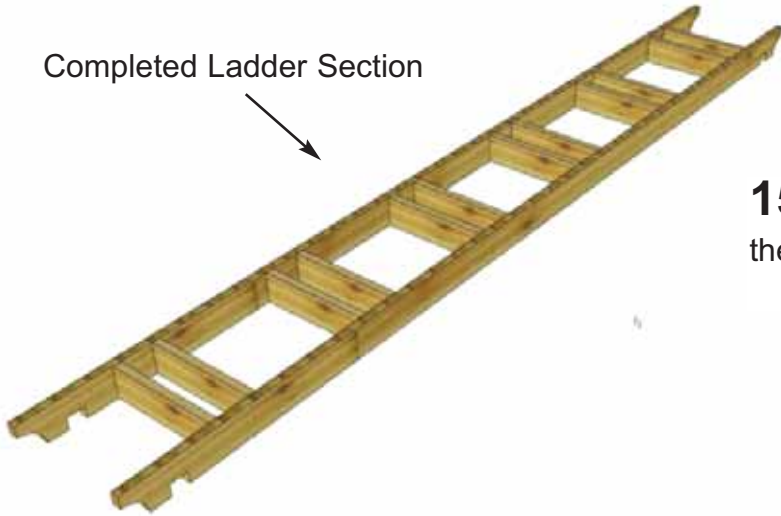
**14.** On a flat surface, position **Ladder Blocking (F)** where marked on top edge of Joist (D) and screw with 2 - 2 1/2" screws per end. Ladder Blocking should be flush with top and bottom of Joist with all notches facing down.



Joists are pre-marked to correct Blocking placement.

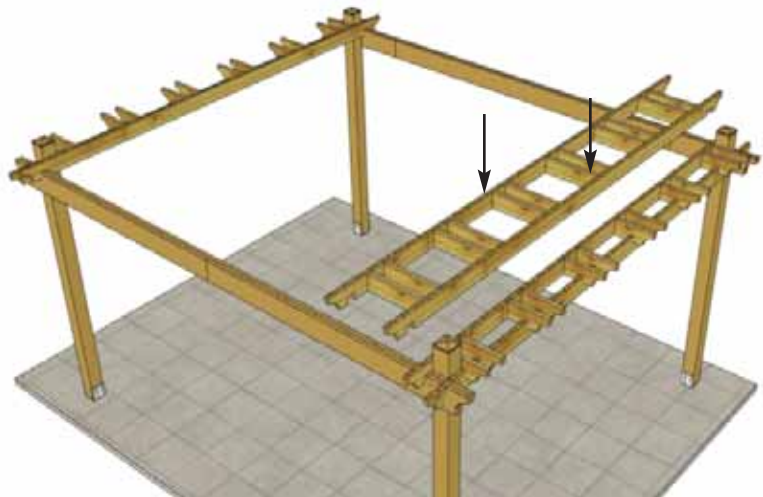


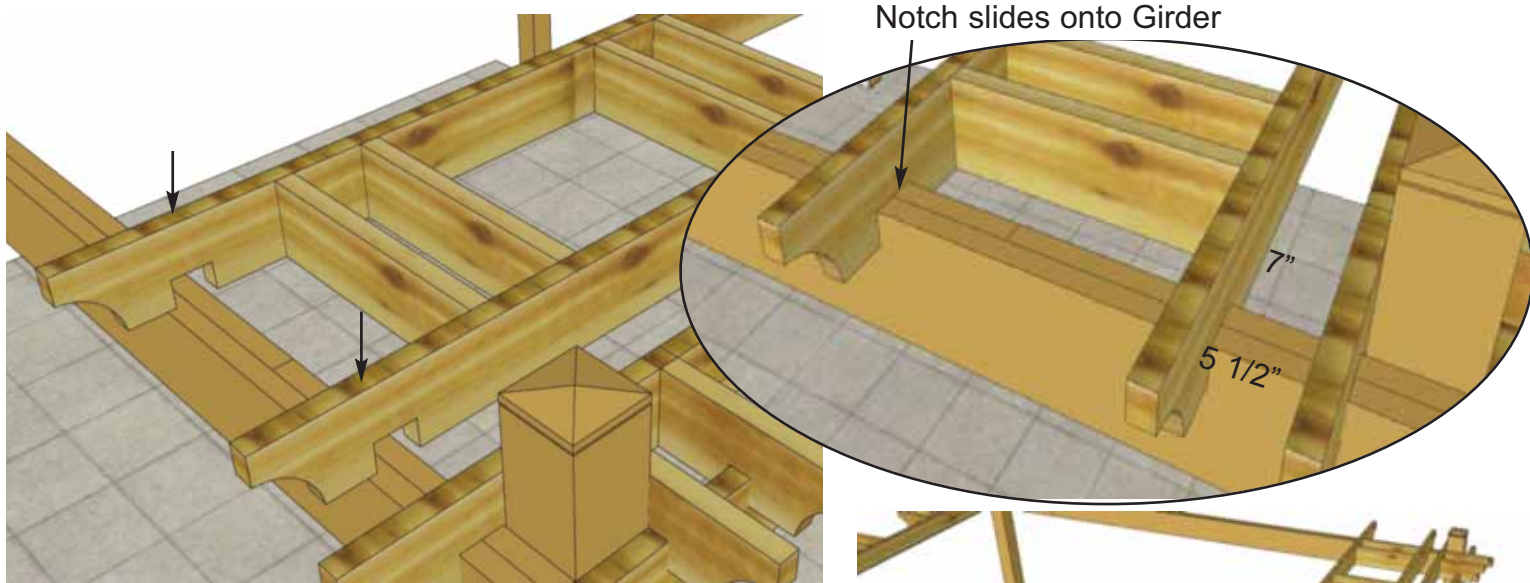
Completed Ladder Section



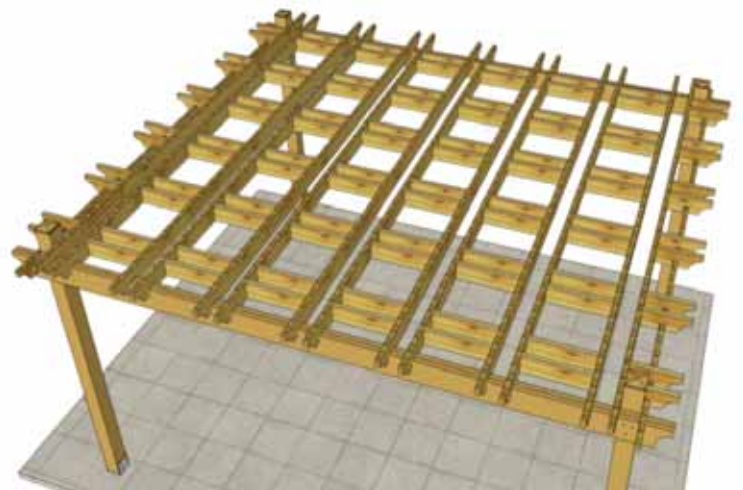
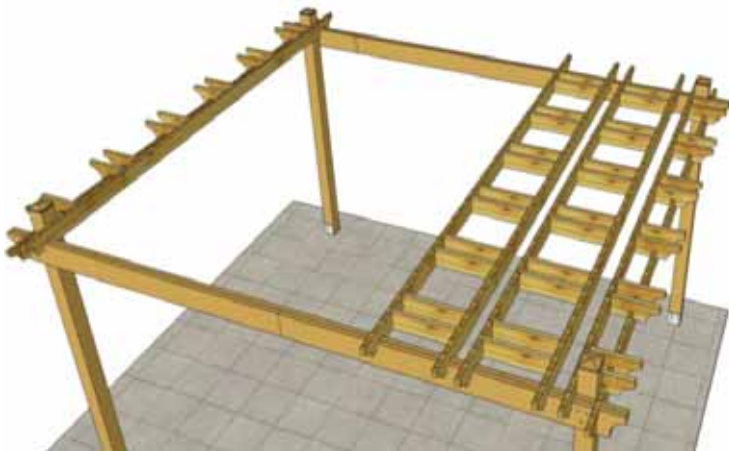
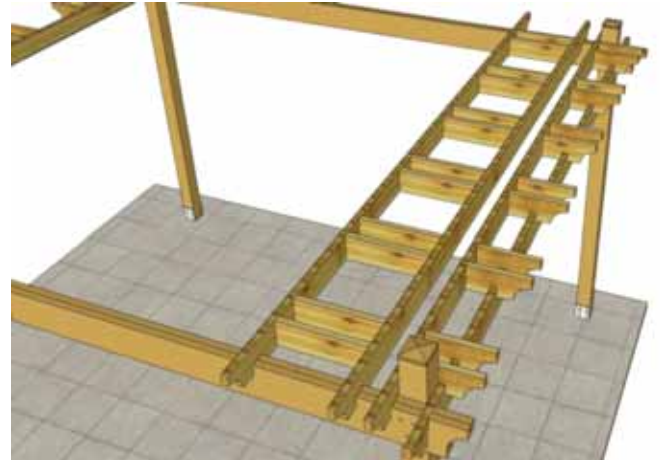
**15.** Complete all 6 Ladder Sections on the ground prior to moving to **Step 16**.

**16.** Carefully lift up one of the Ladder Sections between Girders. **You will require a helper to assist in lifting Ladder Sections.**



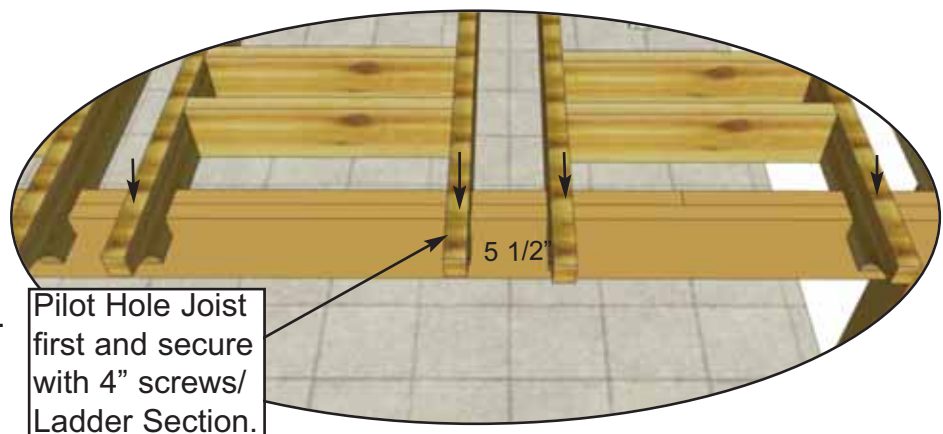


**17.** Carefully slide Joist notches of Ladder Section onto Girder. Try to align notches so they fall into place all at once. With notches of Ladder Section all sitting correctly on Girder, slide Section approximately 7" from Post. Check alignment of opposite end of Ladder Section.

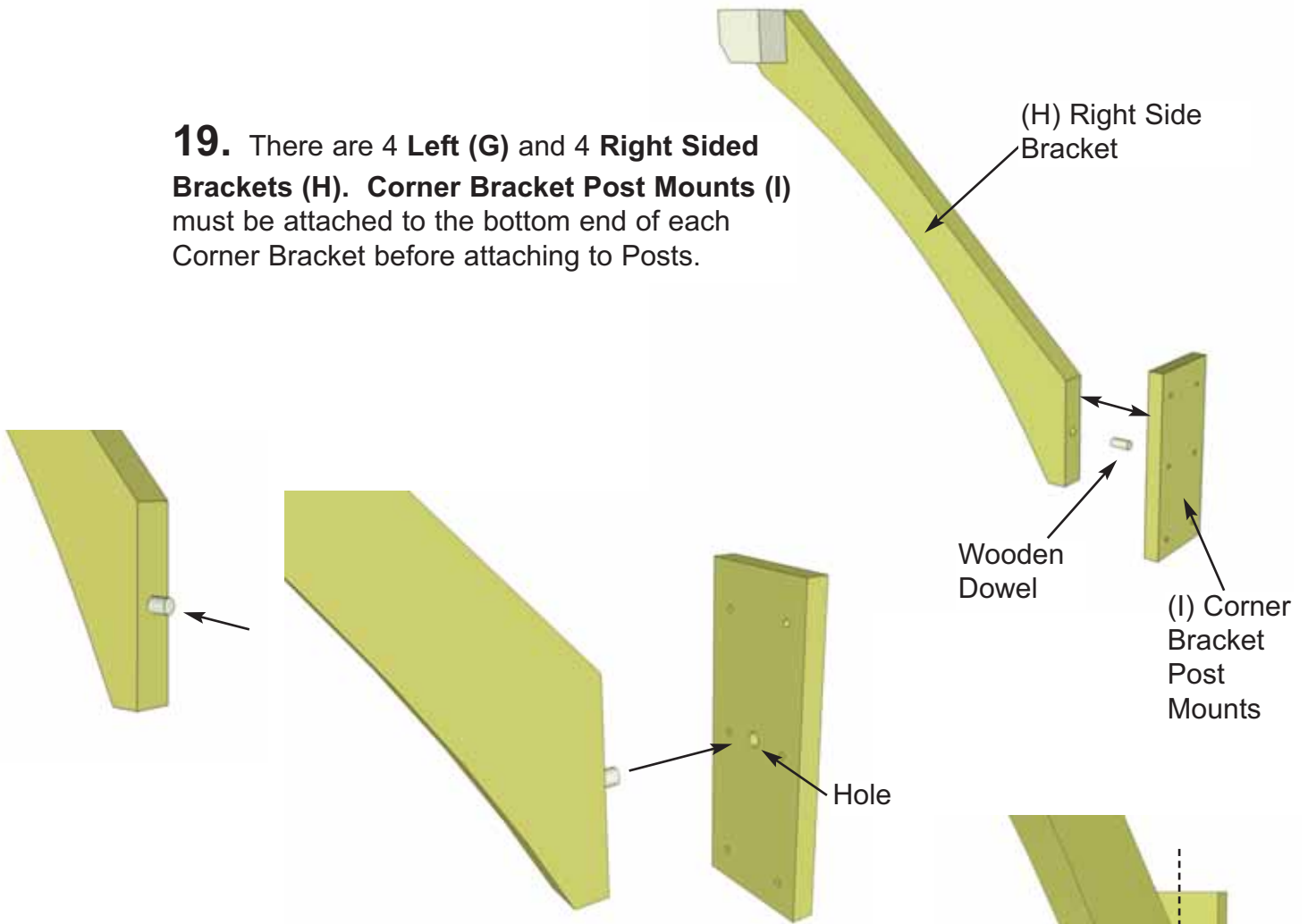


**18.** With all Ladder Sections in place, check once more for equal spacing. When satisfied with Ladder Section positioning, attach to Girders with 4 - 4" screws per Ladder. Screw from top edge of Joist down into Girder.

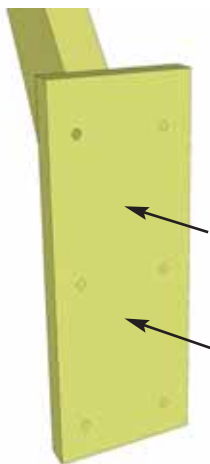
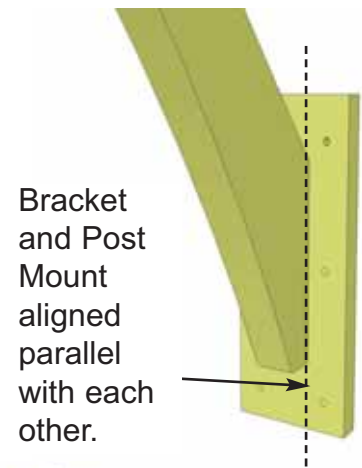
Pilot hole screws first to help with screwing.



**19.** There are 4 **Left (G)** and 4 **Right Sided Brackets (H)**. **Corner Bracket Post Mounts (I)** must be attached to the bottom end of each Corner Bracket before attaching to Posts.



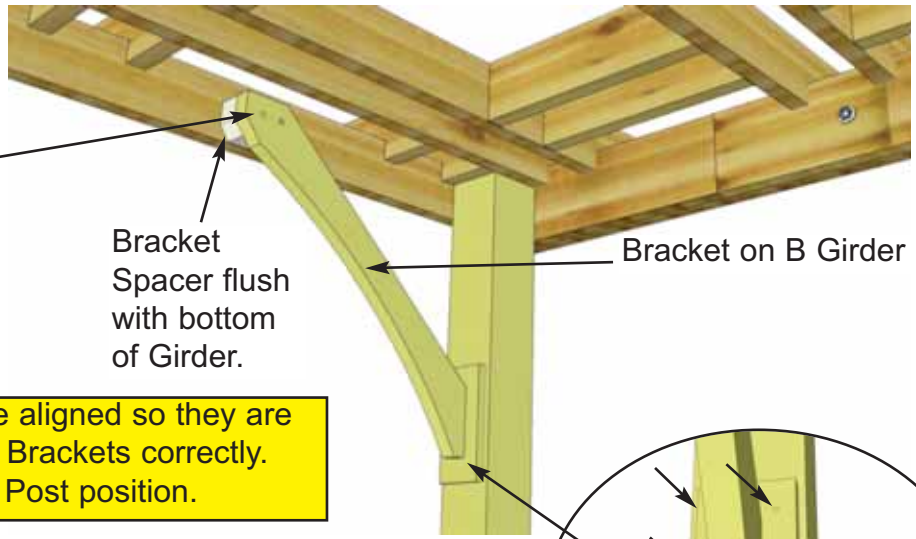
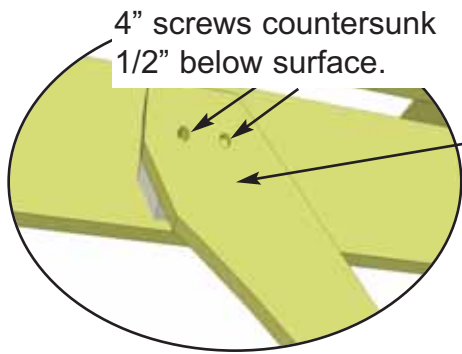
**20.** To assist you with Bracket and Post Mount alignment, both the end of the Bracket and Post Mount have been drilled for a **Wooden Dowel**. Wooden Dowels are found in the Hardware Kit Bag. Insert a Wooden Dowel in end of Bracket first and then push Post Mount onto Dowel until Bracket and Post Mount are flush together. Align Post Mount parallel with Bracket.



**Important:** Drill pilot holes to prevent wood from splitting.

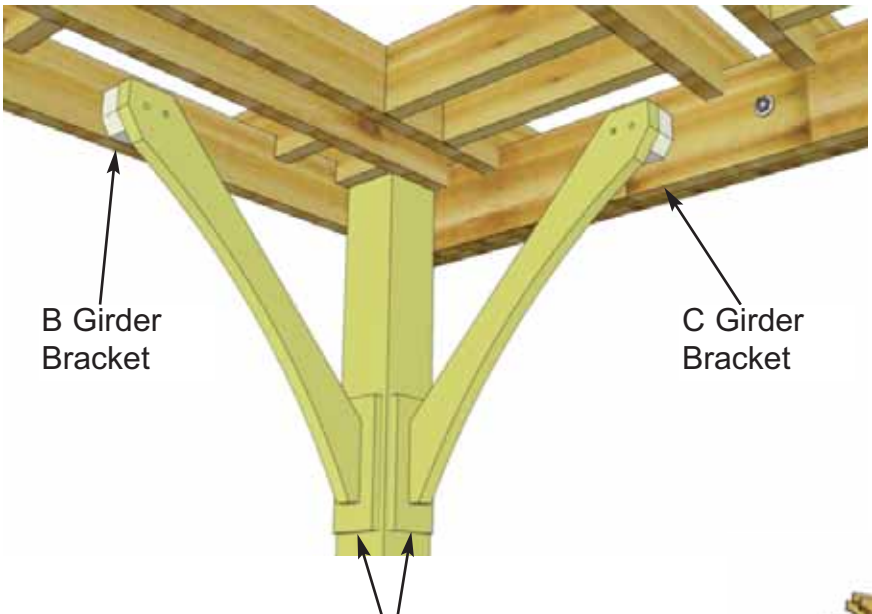
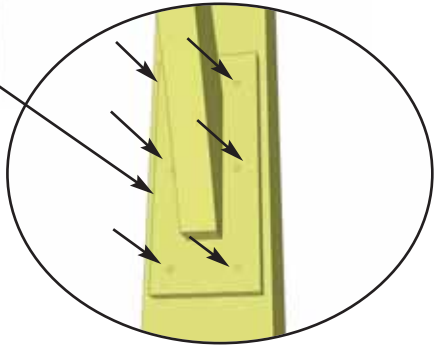
2 - 2 1/2" screws

**21.** With Bracket and Post Mount correctly aligned, screw Post Mount to Bracket with 2 - 2 1/2" screws. **Important: Drill pilot holes in Post Mounts and Bracket to prevent wood from splitting!** Complete all remaining Bracket/Post Mount connections.



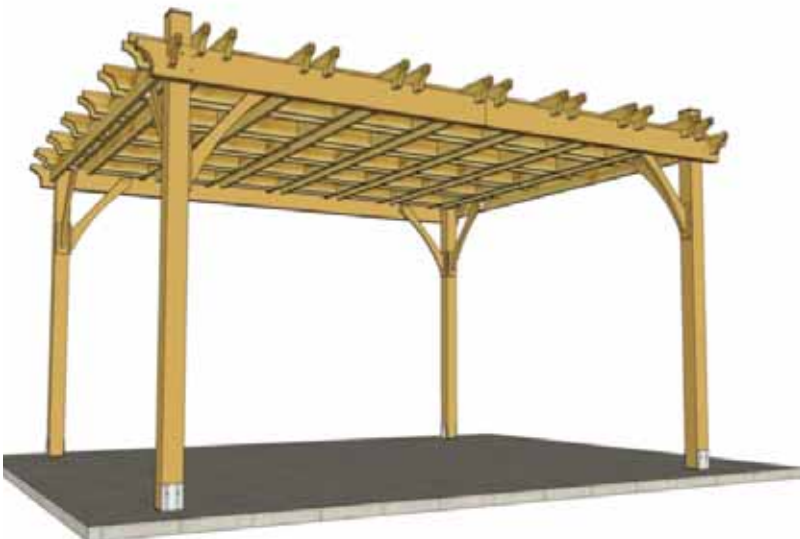
**Important:** Posts may need to be aligned so they are true and square to mount Corner Brackets correctly. Use a Level to determine correct Post position.

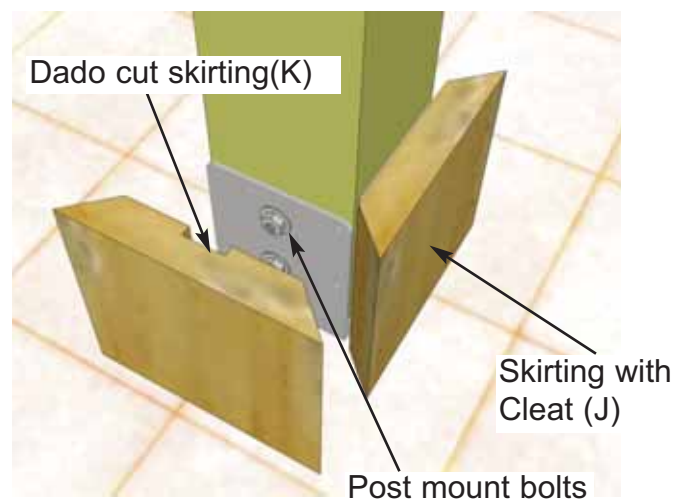
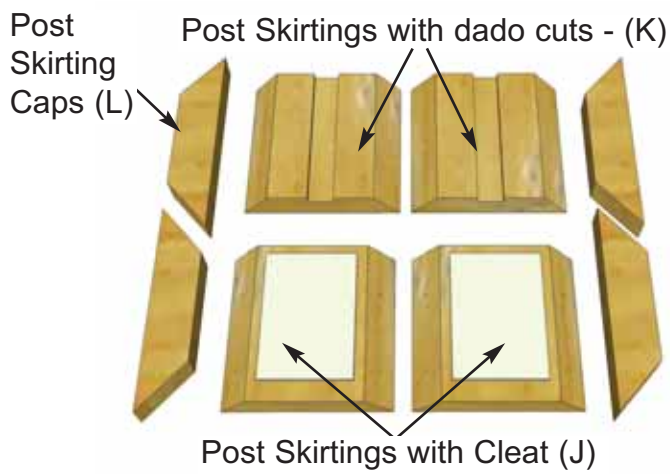
**22.** Lift completed B - Girder Bracket up and align bottom of Bracket Spacer flush with bottom of Girder. At bottom of Bracket, align Post Mount evenly and tight against Post. When correctly aligned, secure at top with 2 - 4" Screws. To secure Post Mount, use 6 - 2" Stainless Steel Screws. Note: Post Mount and Top of Bracket are pre-drilled.



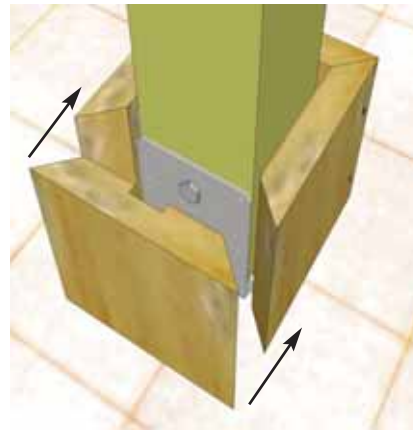
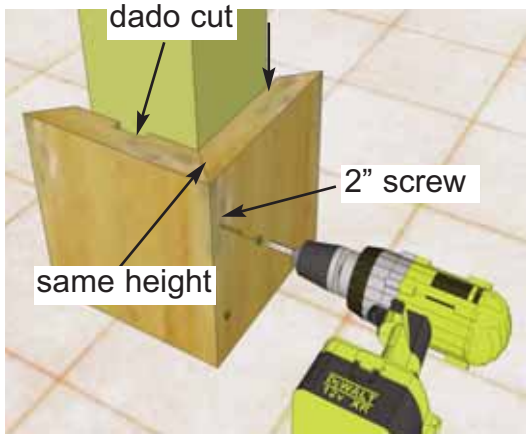
**23.** Align and attach a C and B Sided Bracket on Post as per **Step 22**. Make sure both Brackets are aligned on Post at the same height before attaching. C Girder will sit on Girder up from the bottom.

14x16 Breeze with all Brackets attached.

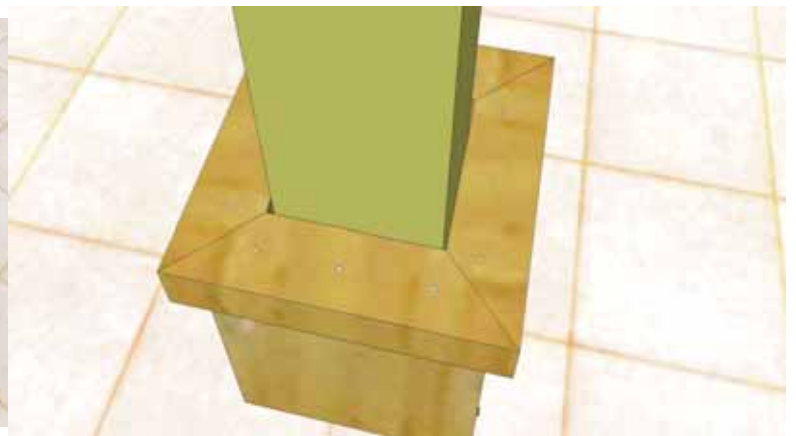
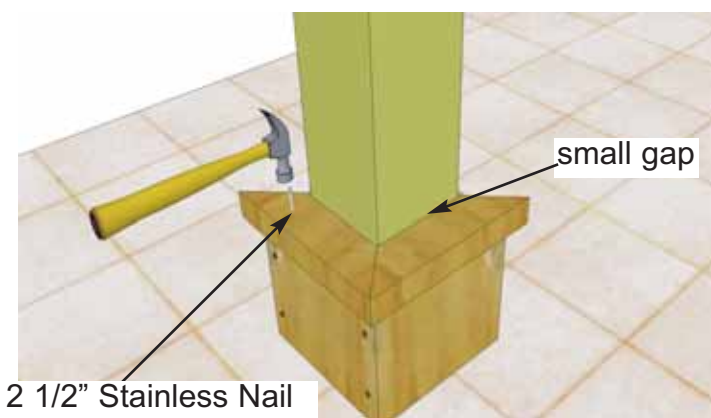




**24.** Locate all Post Skirting pieces. Position 2 post skirtings around the base of post as shown above. Use 1 **Post Skirting with Cleat - 1 1/2" x 9" x 7 1/4" (Part J)** and a **Post Skirting with Dado Cut - 1 1/2" x 9" x 7 1/4" (Part K)** initially. Cleat piece should be aligned opposite post mount hardware and dado piece aligned with post mount bolts (hardware).



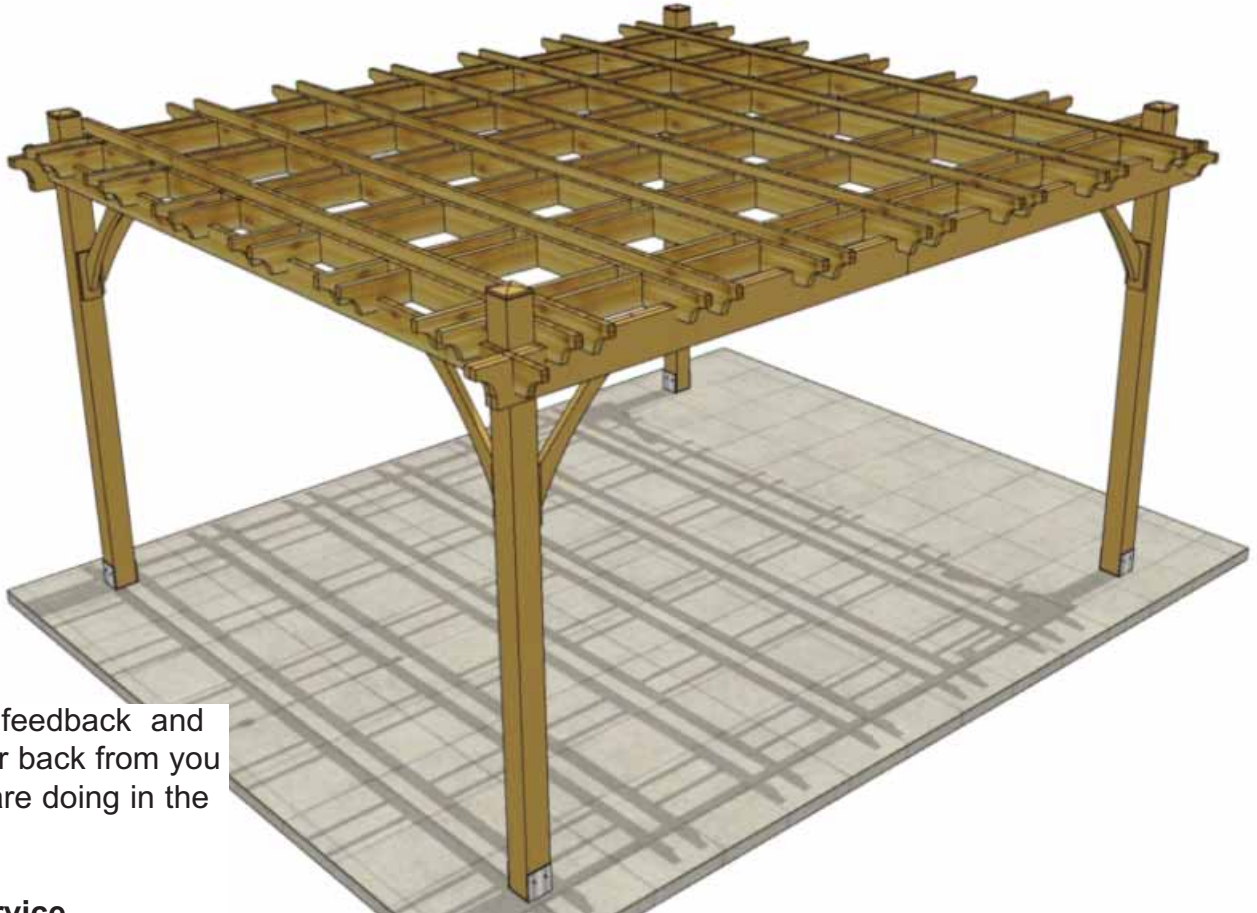
**25.** With your helpers assistance, screw Part J & K pieces together with 2 - 2" screws at pre-drilled locations. Make sure pieces are aligned on edges and top and bottom. Cleated skirting piece are pre-drilled. Complete remaining skirting pieces around the post. Position skirting unit evenly around post. Secure to post by screwing 1 - 2 1/2" screw into the center of each cleated skirting piece (J).



**26.** Position **Post Skirting Caps - 1 1/2" x 2 1/2" x 10 5/8" (Part L)** on top of skirting unit and against post. Do a dry run first to confirm fit. There will be a small gap between post and inside of cap. Attach caps down into skirting tops with 3 - **2 1/2" Stainless Steel Finishing Nails** per piece. Complete remaining post skirtings.

## Congratulations on building your 14X16- 4 Post with Double Girders Breeze Pergola

**Note:** Our Pergola's are shipped as an unfinished product. If exposed to the elements, the Western Red Cedar lumber will weather to a silvery-gray color. If you prefer to keep the cedar lumber looking closer to the original color, we suggest that you treat the wood with a good oil based wood stain. You may also wish to paint your new Pergola rather than stain it. In both cases we recommend that you consult with a paint and stain dealer in your area.



We value your feedback and would like to hear back from you on how well we are doing in the following areas:

1. Customer Service
2. On Time Shipping
3. Motor Freight Delivery
4. Quality of Materials
5. Assembly Manual
6. Overall Satisfaction.

Please call, write or email us at:

Outdoor Living Today

Canadian Address  
9393 287th Street  
Maple Ridge, British Columbia  
Canada V2W 1L1

United States Address  
P.O. Box 96  
Sumas, Washington  
USA 98295



The materials contained in this Assembly Manual may be downloaded or copied provided that ALL copies retain the copyright and any other proprietary notices contained on the materials. No material may be modified, edited or taken out of context such that its use creates a false or misleading statement or impression as to the positions, statements or actions.