

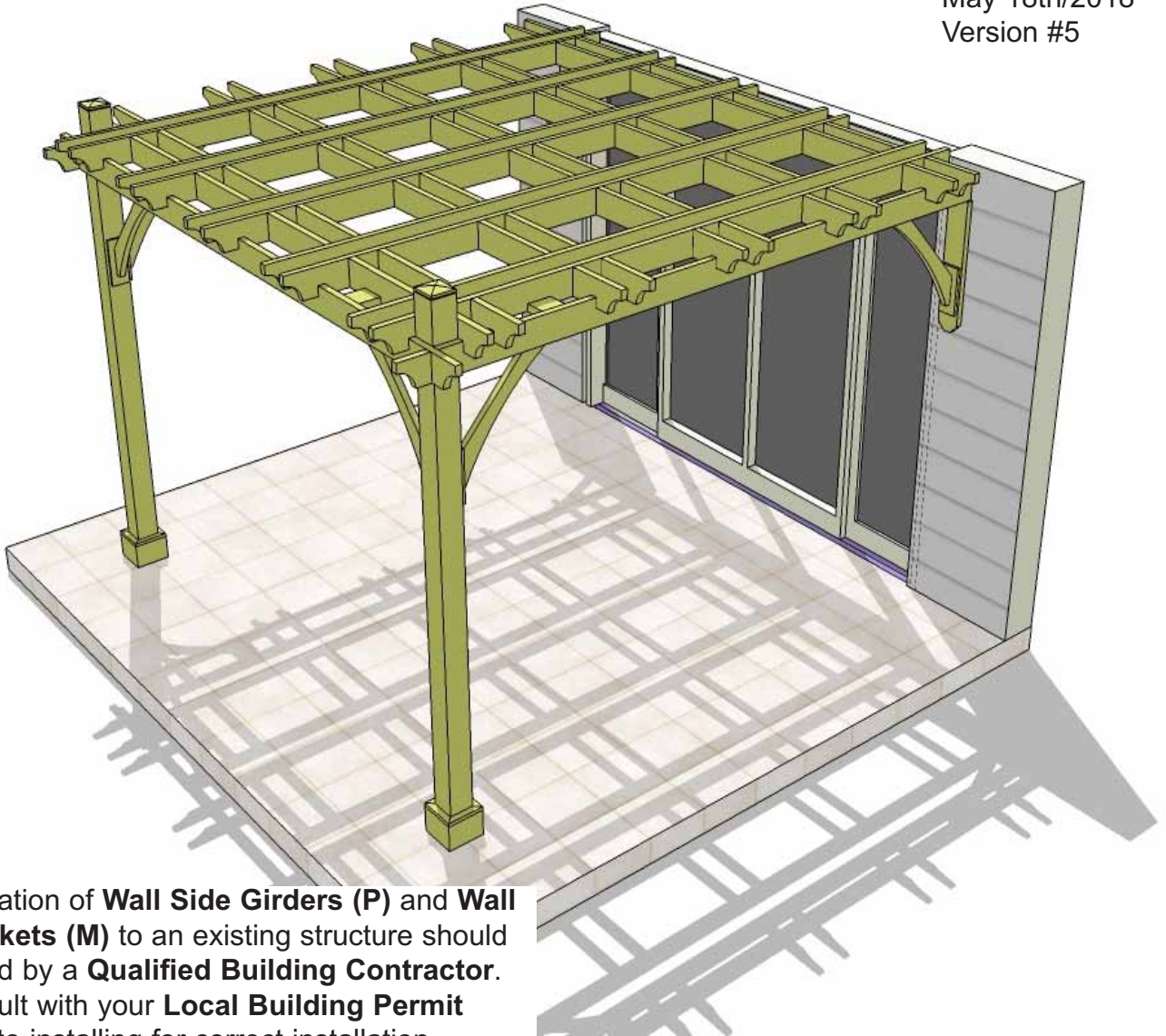


12ft X 12ft Attached Breeze Pergola Assembly Manual

(For Both 9' and 12' High Posts)

Outdoor Living Today

May 18th/2018
Version #5



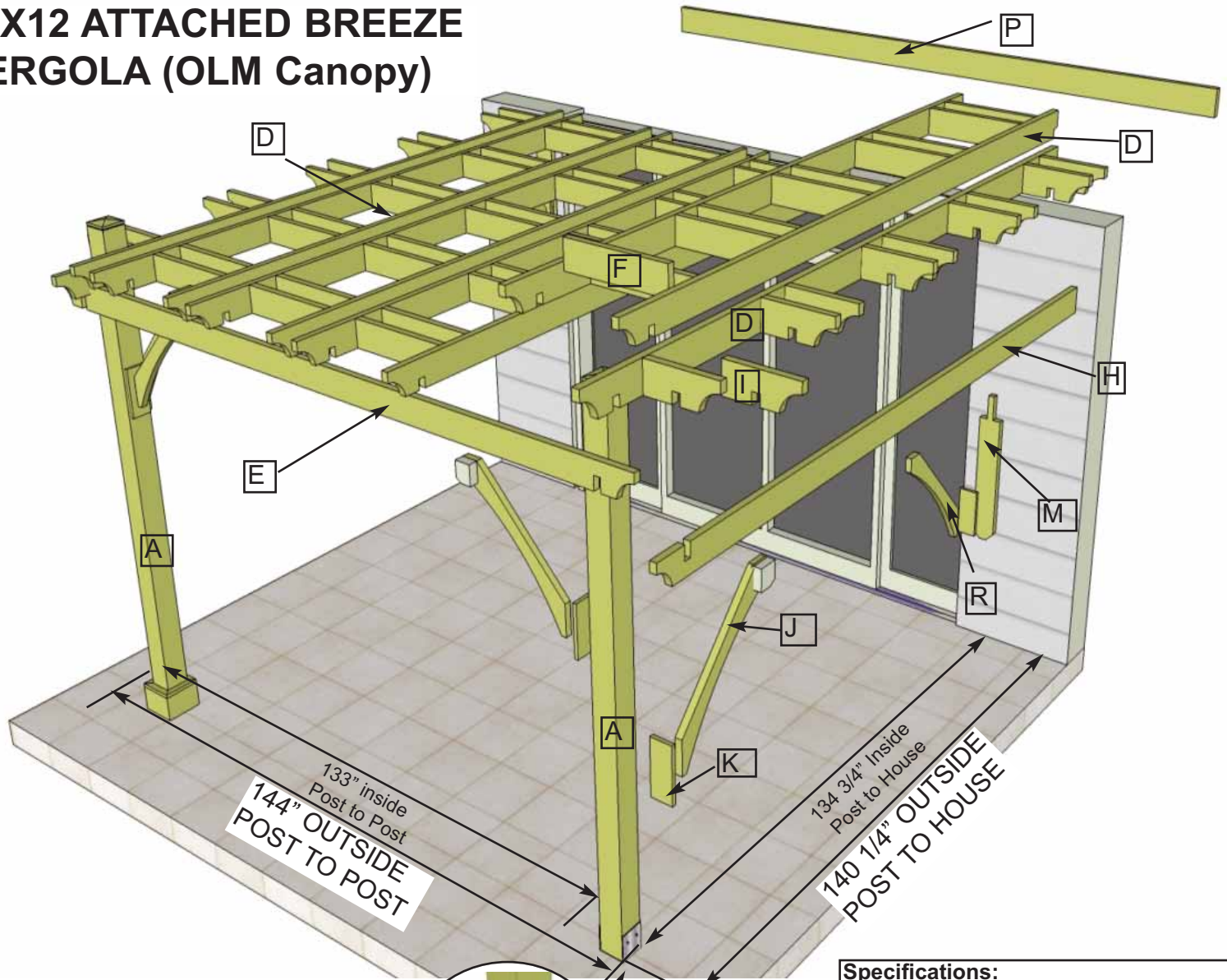
Note: Installation of **Wall Side Girders (P)** and **Wall Mount Brackets (M)** to an existing structure should be completed by a **Qualified Building Contractor**. Please consult with your **Local Building Permit Office** prior to installing for correct installation guidelines and procedures. Post Mounting Hardware is **NOT** included in this kit. Confirm with your Local Building Permit Office to determine the correct Post Mount Hardware in your area.

Important - If you receive a broken or missing part. Please contact our Customer Service Center immediately @ 1-888-658-1658 for assistance.

Important - Western Red Cedar Lumber will have surface splitting that occurs as lumber seasons and dries to the moisture content in your area. Splitting or “checking”, as it is referred to, can be 1/8” to 1/4” wide and can run several feet. This does not diminish the structural integrity of the material in any way.

Customers agree to hold Outdoor Living Today and any Authorized Dealers free of any liability for improper installation, maintenance and repair of any Outdoor Living Today products.

12X12 ATTACHED BREEZE PERGOLA (OLM Canopy)



Thank you for purchasing one of our Breeze Pergola's. Please take the time to identify all the parts prior to assembly.

Parts Lists:

	T	W	L	Qty.
A - Posts	5 1/2"	5 1/2"	108" or 144"	2
D - Main Joists (shallow notch on bottom)	1 1/2"	5 1/2"	149 1/4"	10
E - Front Girders (deep notch - bottom)	1 1/2"	5 1/2"	162"	1
F - Blocking	1 1/2"	5 1/2"	22 5/8"	40
H - Side Girders (deep notch- top)	1 1/2"	5 1/2"	149 1/2"	2
I - Stub Joists	1 1/2"	5 1/2"	14 1/2"	20
J - Left & Right Corner Brackets (Spacer)	1 1/2"	5 1/2"	34 3/4"	4
K - Corner Bracket Post Mounts	1"	4 1/2"	10 1/2"	6
M - Wall Mount Brackets	1 1/2"	5 1/2"	48"	2
P - Wall Side Girders (sq. cut both ends)	1 1/2"	5 1/2"	141"	1
Q - Joist Mount Bracket	10 (Hardware)			
R - Corner Brackets (without Spacer)	1 1/2"	5 1/2"	34 3/4"	2
Post Skirting Kits - 2 Kits / Each includes:				
L - Post Skirtings with Cleat	1 1/2"	9"	10"	2
O - Post Skirtings- Dado Cut	1 1/2"	9"	10"	2
N - Post Skirting Caps	1 1/2"	2 1/2"	10 1/2"	4

*Plus Hardware Kit

Specifications:
 Wood Species - Western Red Cedar
 Grade - Architectural Knotty or Better
 Posts - Laminated Western Red Cedar
 Lag Screws and Washers - Zinc Plated
 4", 2 1/2" & 1 1/4" Screws - Yellow Zinc
 2" Screws - Stainless Steel
 2 1/2" Finishing Nails - Stainless Steel

Outside Post to Wall Dimension:
 144" wide x 134 3/4" deep x 110"h or 146"h
 Including Overhand
 162" wide x 149 1/2" deep x 110"h or 146"h

In the event of a missing or broken piece, simply call the Outdoor Living Today Customer Support Line @ 1-888-658-1658 within 30 days of the delivery of your purchase. It is our commitment to you to courier replacement parts, free of charge, within 10 business days of this notification. Replacement parts will not be provided free of charge after the 30 day grace period.

12x12 ATTACHED BREEZE HARDWARE PACKAGE

Hardware Kit (Provided)

Note: screws and nails shown actual size.

2 1/2" SS
Finishing Nail



4"



2 1/2"



Square
Drive Bit



1 1/4"

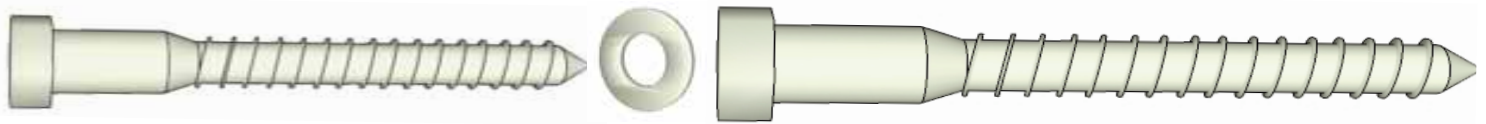


Wooden
Dowel (6)



2"

Stainless



3" & 4" Lag Screw with Washers

Tools Required (Not Provided)



Hammer



Screw Gun/Drill



Tape Measure



Wood Clamp



9/16" Wrench



Level



Pliers



Ladders



1/8" & 1/4" Drill Bits

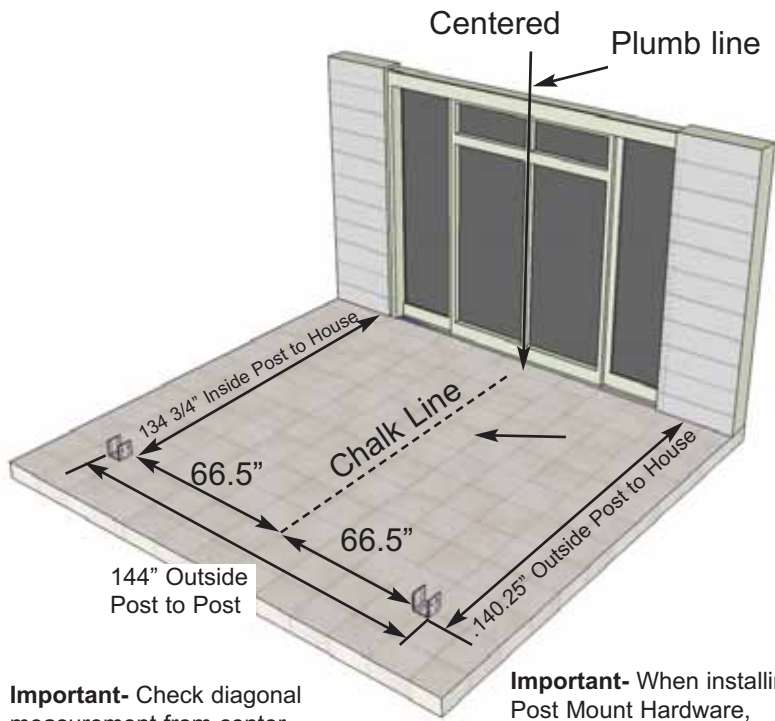
Safety Equipment Required (Not Provided)



Safety Glasses



Work Gloves

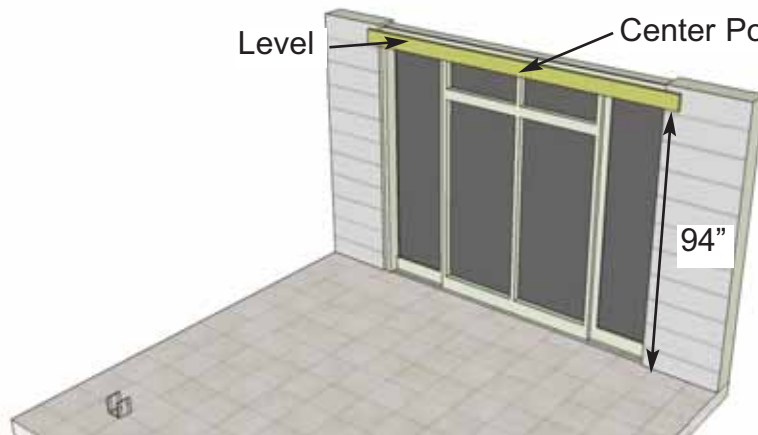


Important- Check diagonal measurement from center to corner to confirm location of Post Mount Hardware.

Important- When installing Post Mount Hardware, check slope of foundation and make necessary height adjustments.

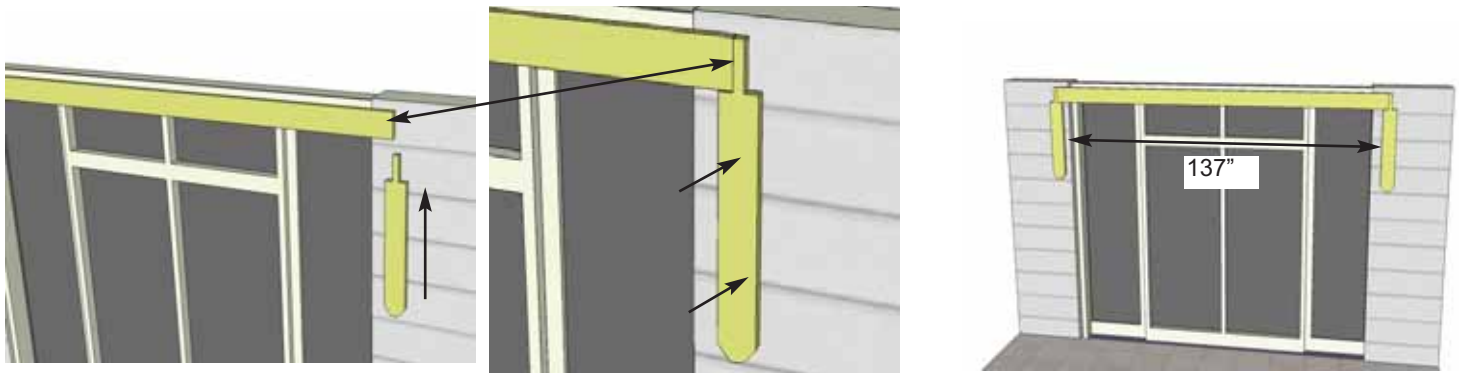
Laying out your Footprint

To determine the proper placement of your 5 1/2" x 5 1/2" Posts, first locate the center spot for your Pergola on the house. Drop a plumb line down and mark with a chalk line 134 3/4" perpendicular to house. This measurement will be the location for center of Pergola. Mark, and from the Center point, measure and mark location for both Corner Posts. See Diagram to left and additional detail on **Page 2** to assist you. If you are having problems determining Post locations, please call our **Customer Care Line** for assistance before proceeding at **1-888-658-1658**. We recommend that you fix Posts to ground using Steel Post Bases or Saddle Brackets fixed on cement footing. If attaching Posts to pre-existing deck, we recommend that you purchase Post / Deck Mounting Brackets. In both cases, Post Mounting hardware can be found at most Hardware Stores.

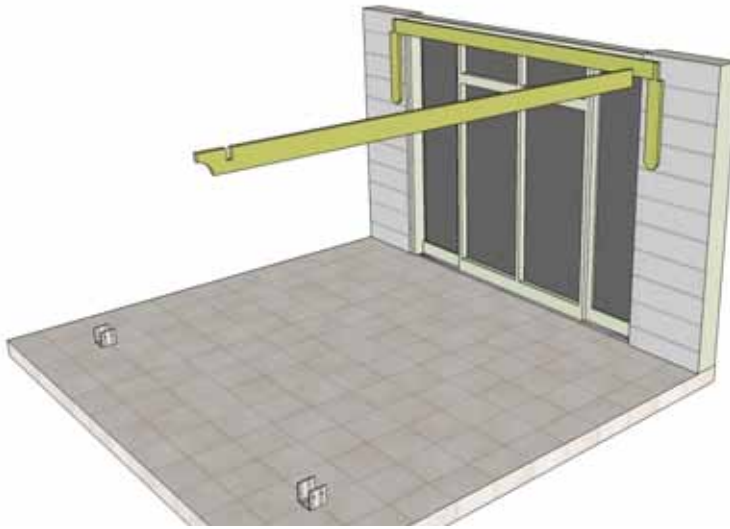


94" from Foundation to bottom of Wall Side Girder (P) for Standard 9' tall Posts. Measure 12" higher for each additional 12" in post height. Example, for 12' posts, measure 130" to bottom of Wall Side Girder and so on.

1. Locate and lift **Wall Side Girder (P)** up and place on previously marked center point on house. On Standard 9' high Posts, measure 94" from Foundation to the bottom of **Wall Side Girder (P)**. Height of Wall Side Girder with non-standard posts heights will vary. Level and attach to Wall with supplied 4" Lag Screws (8) screwing into vertical wall studs of house. **Important-** We recommend using the services of **Qualified Building Contractor** when securing Girder to House. Piece must be properly secured and caulked before proceeding.



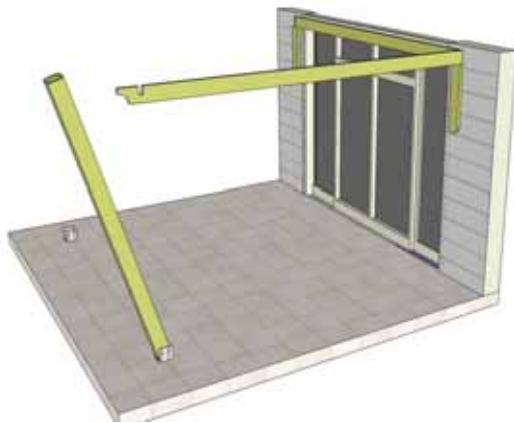
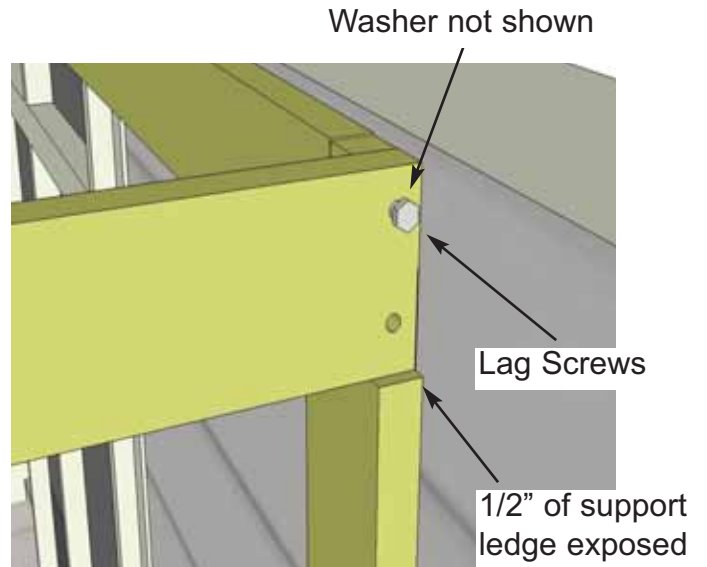
2. After Wall Side Girder is correctly secured, slide **Wall Mount Brackets (M)** up tight to girder. Secure bracket to house with 2 - 4" Lag Screws per side. Have your **Qualified Contractor** complete.



3. Lift and Place 1 **Side Girder (H)** up with Square cut end facing house and deep notch on opposite end facing up. Side Girder is 149 1/4" long.

4. With your helper carefully supporting the Side Girder from opposite end, place Washer on 1- 4" Lag Screws and insert bolt through pre-drilled Side Girder and Wall Mount Bracket. (attach 2nd lag screws in **Step 6.**) Carefully tap bolt into Wall Side Girder approx. 1/4" to get started and tighten with 9/16" wrench.

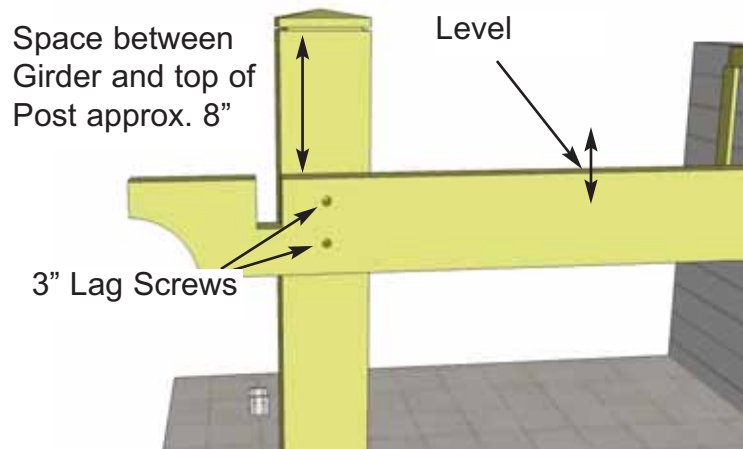
Important - if possible, try to pre-drill Wall Side Girder end to accommodate Lag Screws.

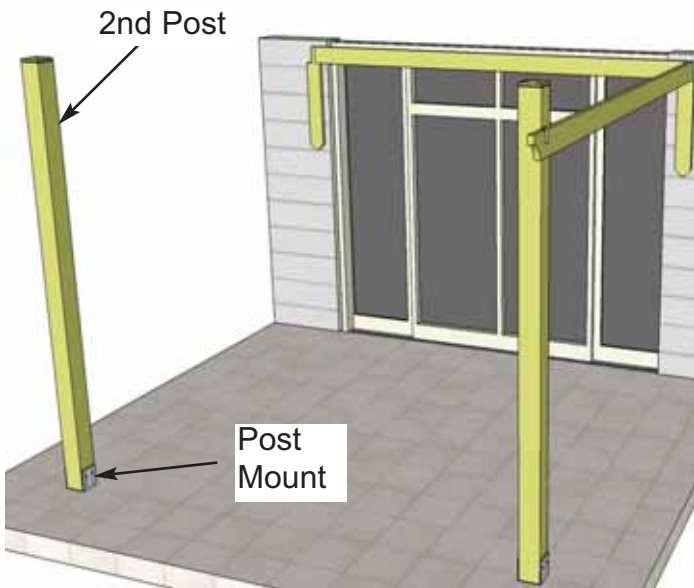


5. With Side Girder still being supported, lift and place your **Post (A)** in previously installed Post Mount and secure with appropriate hardware.

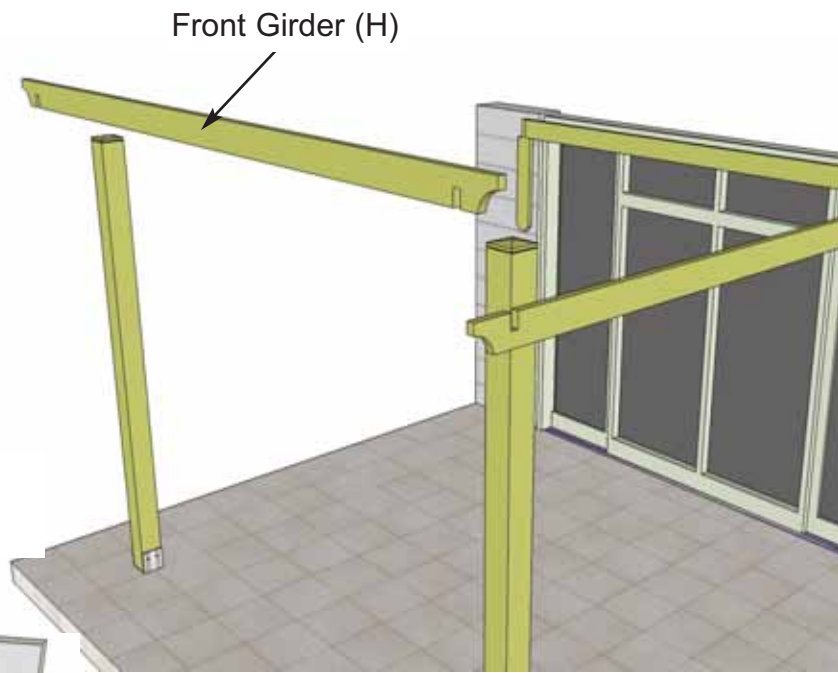
6. Attach Side Girder to Post with 2 - 3" Lag Screws / Washers. Make sure Notch on Side Girder is flush to outside of Post.

Important- make sure you level Side Girder prior to attaching to Post. Go back to **Step 4** and complete attachment of 2nd Lag Screws.

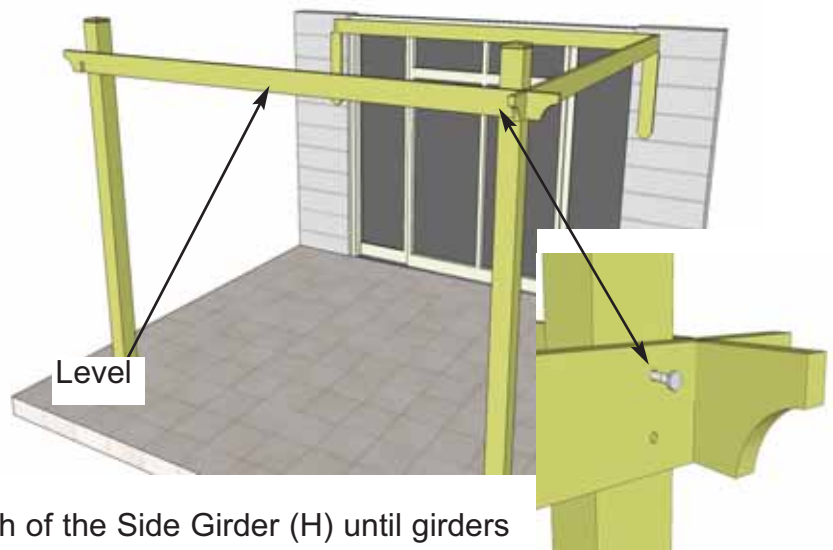
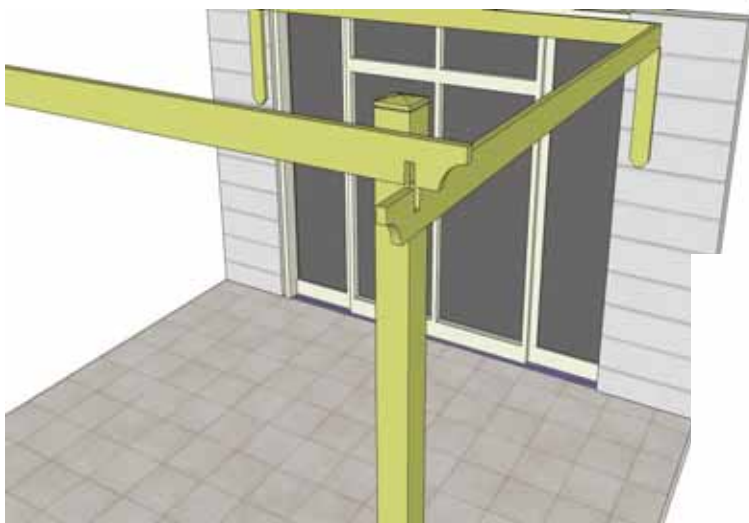




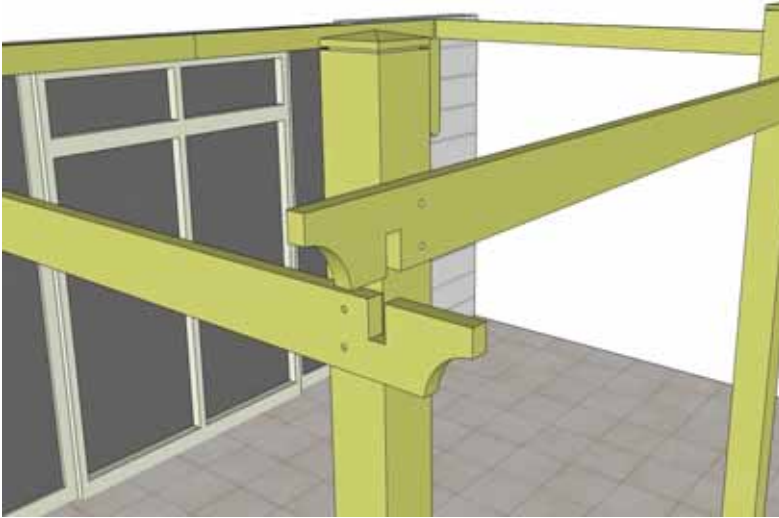
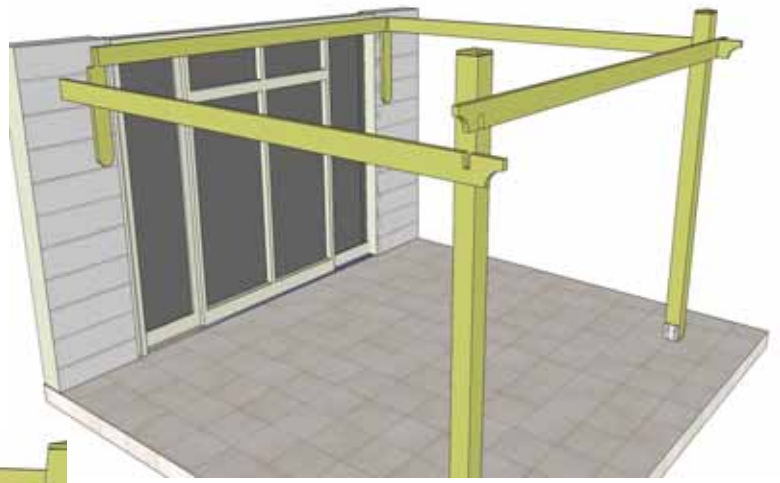
7. Lift and position your 2nd **Post (A)** into previously installed Post Mount and secure with appropriate hardware.



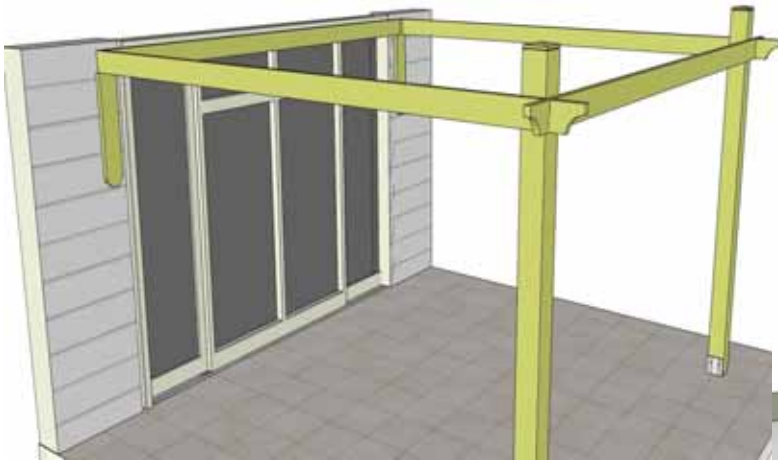
8. Locate 1 **Front Girder (E)** lifting up above Side Girder (H).



9. Slide the Front Girder (E) notch into the notch of the Side Girder (H) until girders sit flush with each other. Use 1 - 3" Lag Screws/Washer to secure girder to Post. Use a level to align the Front Girder and mark on Post.



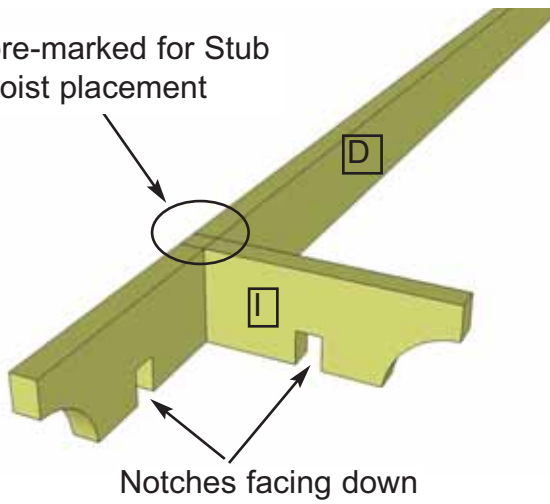
10. Lift and slide the last **Side Girder (H)** onto the Wall Mount (M) and on the opposite end into the notch of the Front Girder. Use a level to check for square of Side Girder, Front Girder and Post. Some adjustment may be necessary depending on the slope of your foundation. When level, attach Front and Side Girder to Post with 3" Lag Screws/ Washers. Complete remaining Lag Screws/Washer on Front Girder.



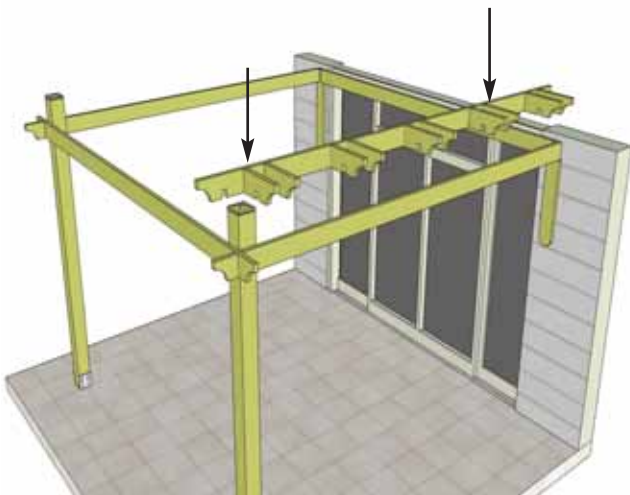
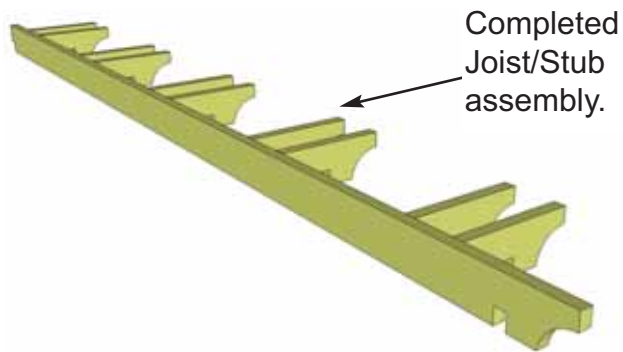
11. Finally, to complete all girder attachments, insert 2 - 4" Lag Bolts with washers through Side Girder (H) and Wall Mount Bracket (M). Once again tap Lag Screw into Wall Side Girder (P) end and tighten with 9/16" wrench.



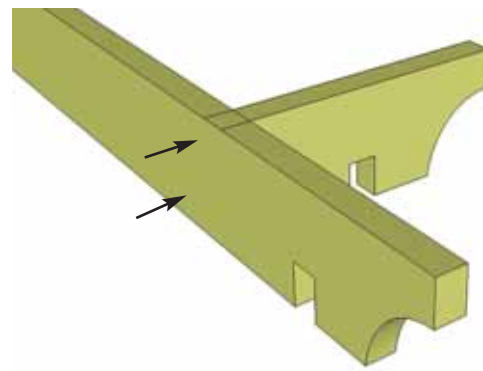
pre-marked for Stub Joist placement



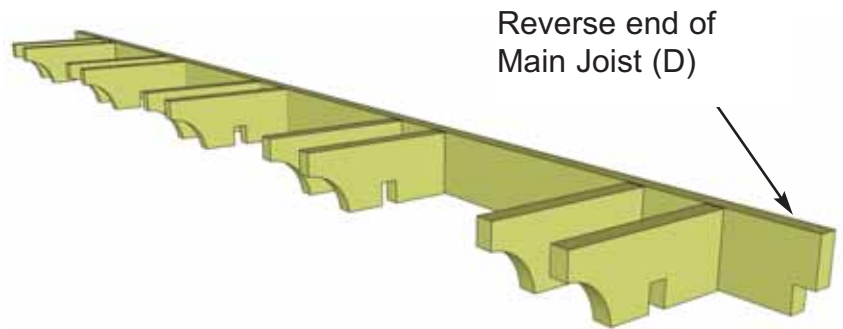
12. On level ground, position 1 **Main Joist (D)** and 10 **Stub Joists (I)**. Main Joists are pre-marked for Stub Joist and Blocking position.



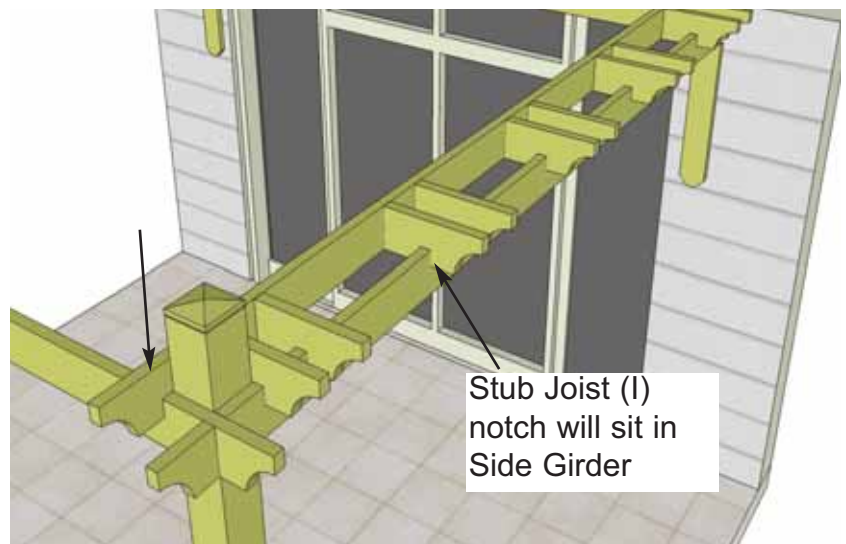
15. Carefully lift up completed Stub Joist / Main Joist assembly and place Main Joist between Front Girder (E) and Wall Side Girder (P). When correctly positioned, Main Joist will sit flush against post and notches of Stub Joist will sit down into Side Girder.

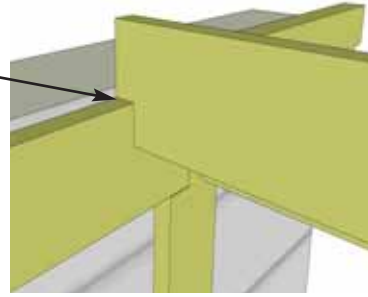
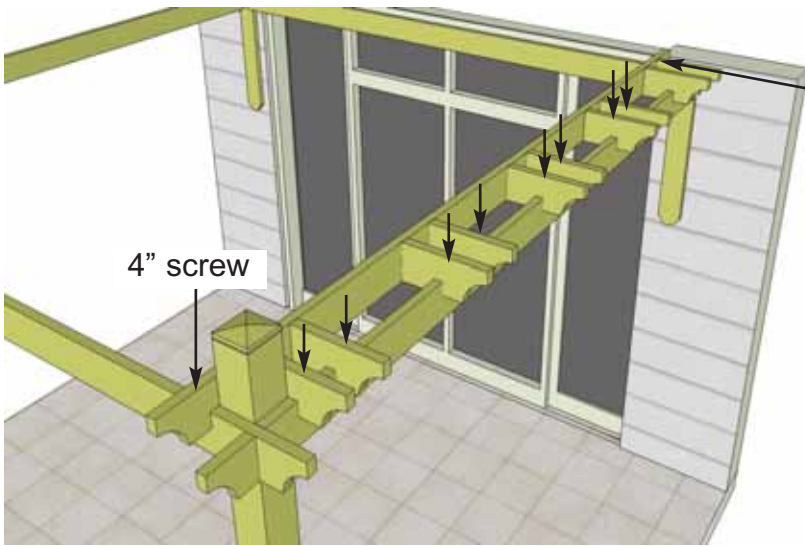


13. With Stub Joists positioned correctly on Joist, attach each Stub Joist with 2 - 2 1/2" screws. Stub Joists should be flush with top and bottom of Main Joist with all notches facing down.

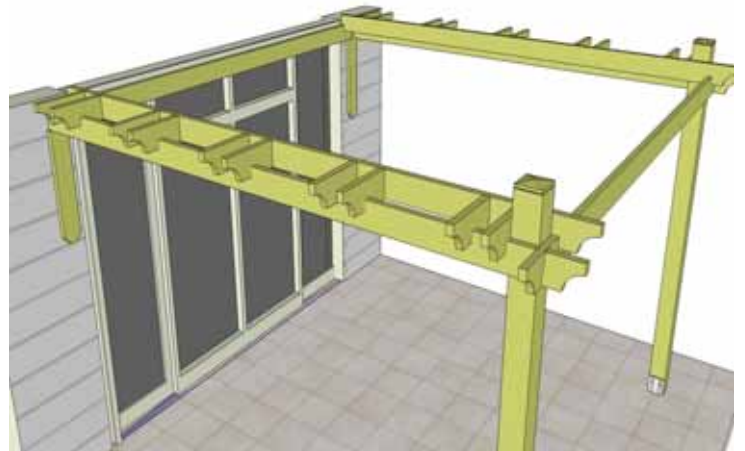
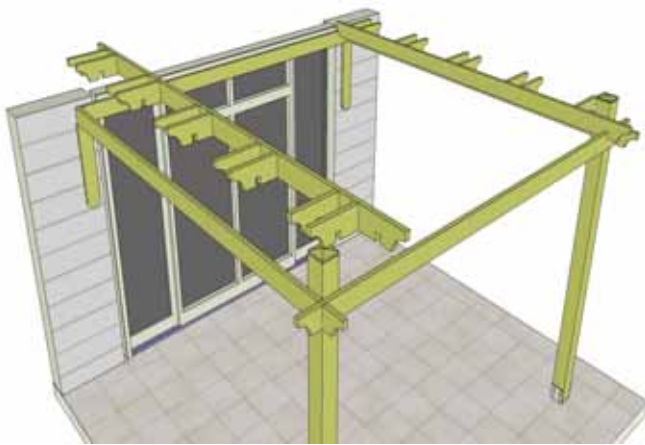


14. There are 2 Main Joist/ Stub Joist assemblies, complete both now. **Important-** There is a left and right configuration. Stub Joists are attached in the opposite direction as illustrated **Step 17**.

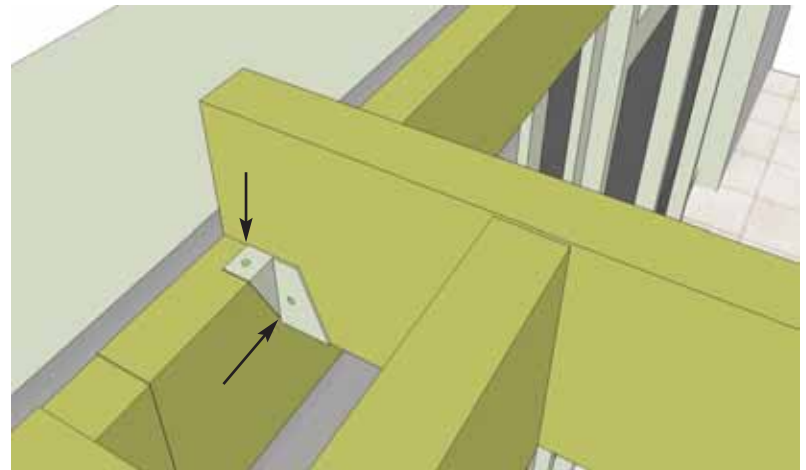
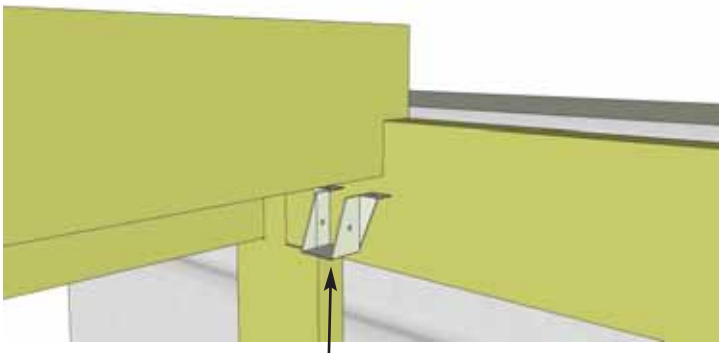




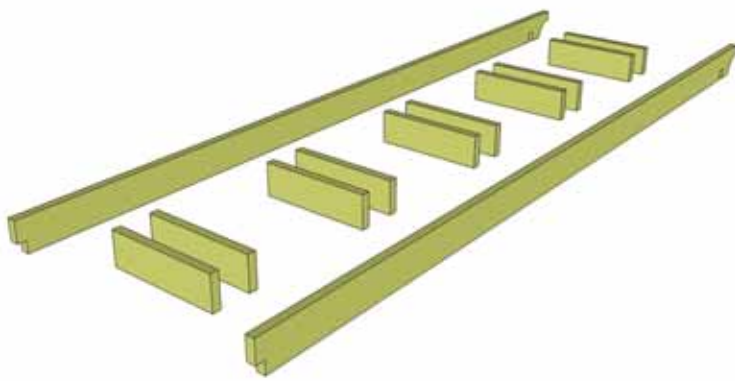
16. Attach all Stub Joists to Side Girder with 1- 4" screw per Stub Joist. Screw from the top down into girder. Where end of Main Joist sits on Wall Side Girder, a **Joist Mount Bracket (Q)** will be installed. See **Step 18** for installation of this hardware.



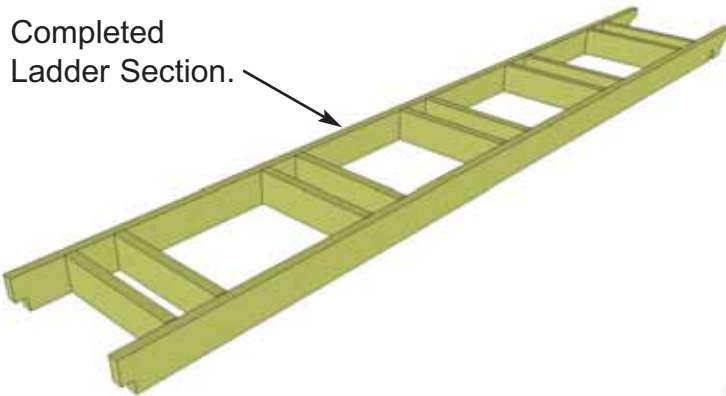
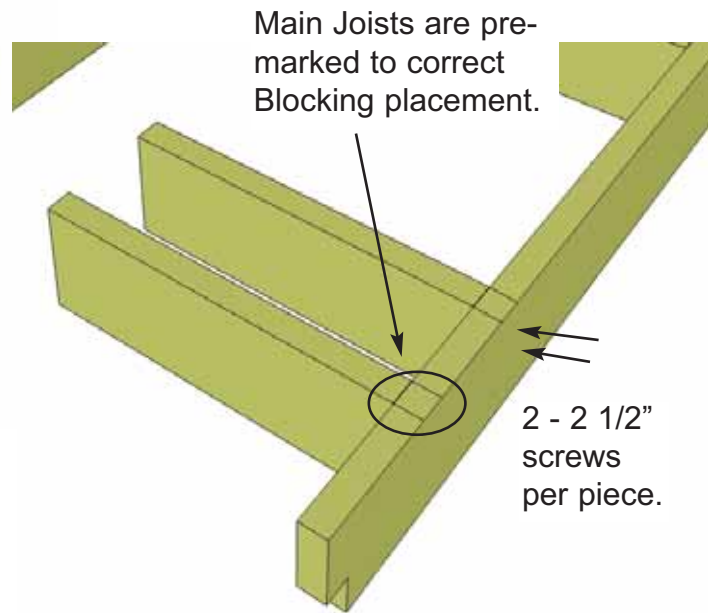
17. Lift and Place 2nd Stub Joist / Main Joist Assembly on other side of pergola. Follow same procedure as per **Steps 15-16**.



18. With Stub Joist / Main Joist Assembly positioned and partially attached. Complete by securing a Joist Mount Bracket . Start underneath and slide holder under the Main Joist and also so top flanges sit on Wall Side Girder. Attach with 4- 1 1/4" screws.

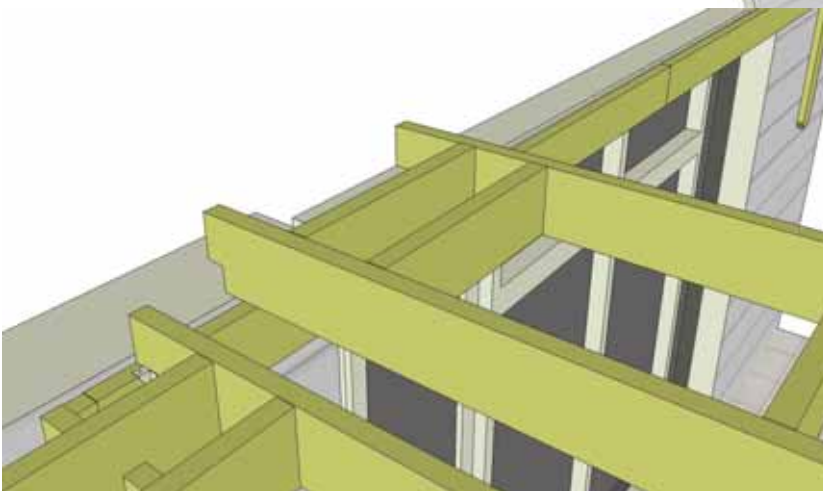
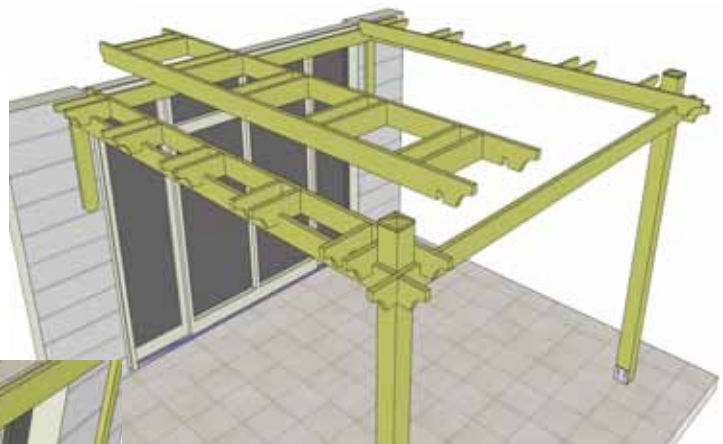


19. On a flat surface, position **Blocking (F)** where marked on Main Joist (D) and screw with 2- 2 1/2" screws per piece. Blocking should be flush with top and bottom of Main Joist with all notches facing down.

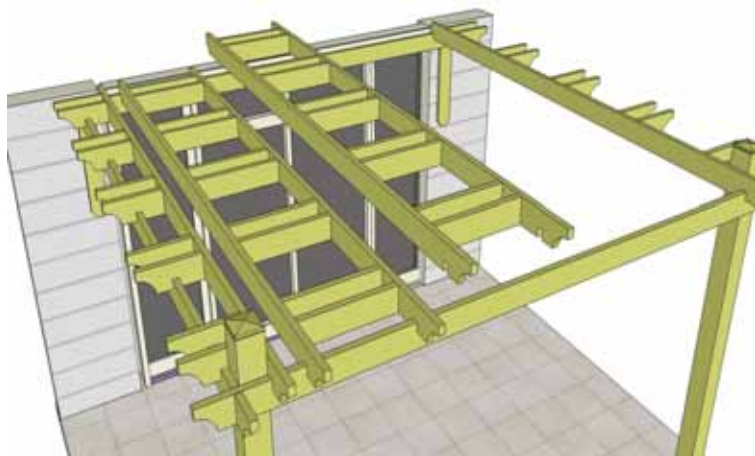
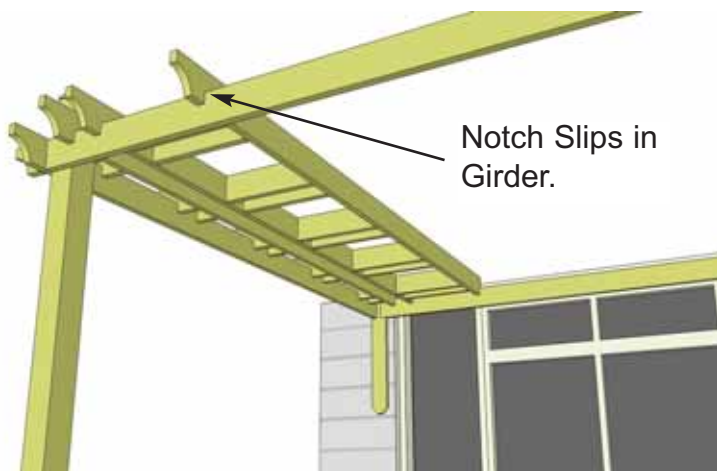


20. Complete all 4 Ladder Sections on the ground prior to moving to **Step 21**.

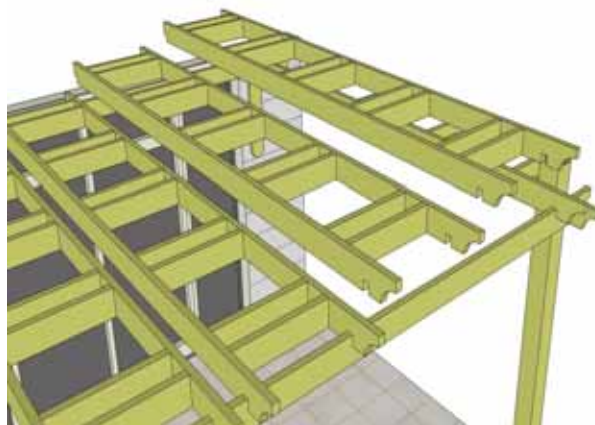
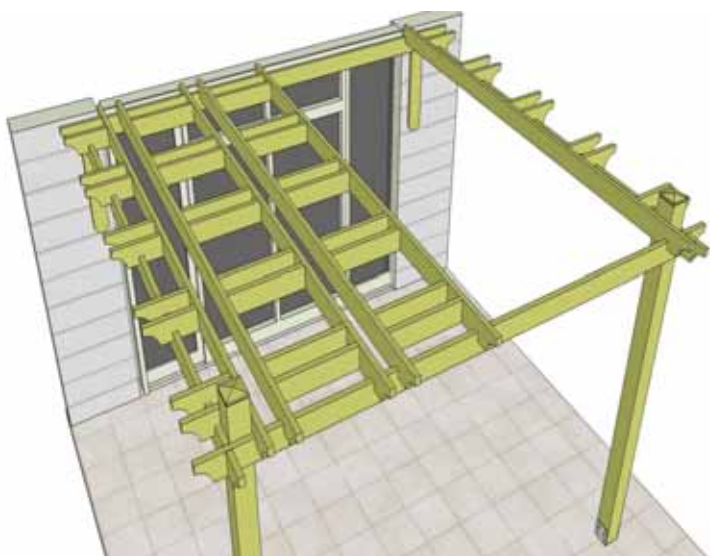
21. Carefully lift up one of the Ladder Sections and place between Front Girder and Wall Side Girder. You will require a helper to assist in lifting up the ladder section.



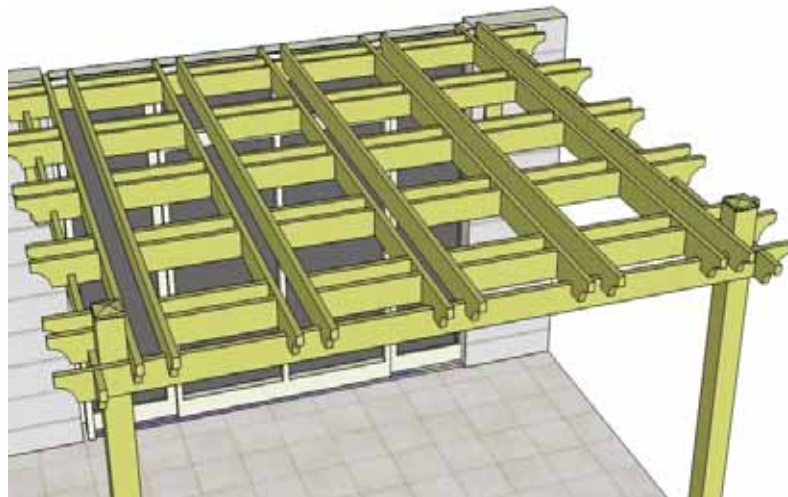
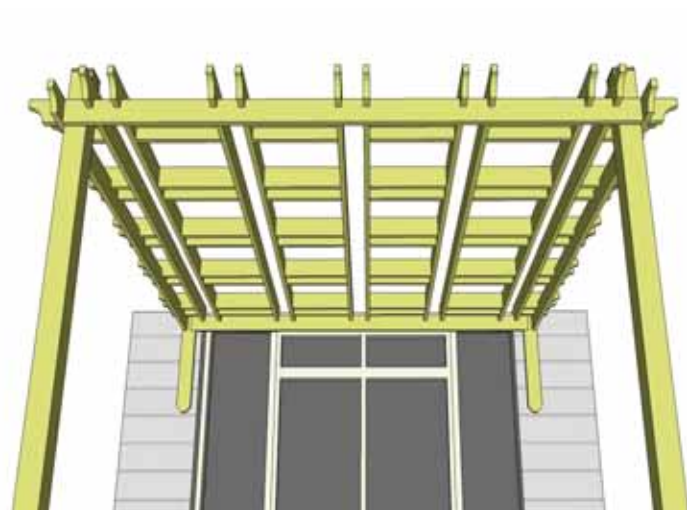
22. The notch of the Main Joist facing house will simply sit on the Wall Side Girder and will be attached later in **Step 27**.



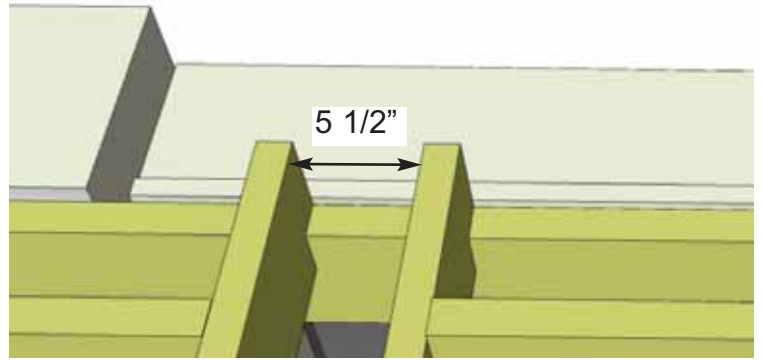
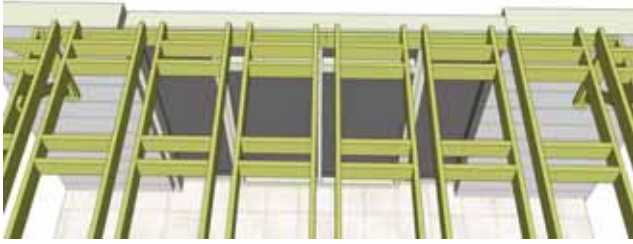
23. At the front, the notch of the Main Joist (D) will slip into the Front Girder (E). Space Ladder Section approximately 5 1/2" apart from adjacent Main Joist. Lift a 2nd Ladder Section up.



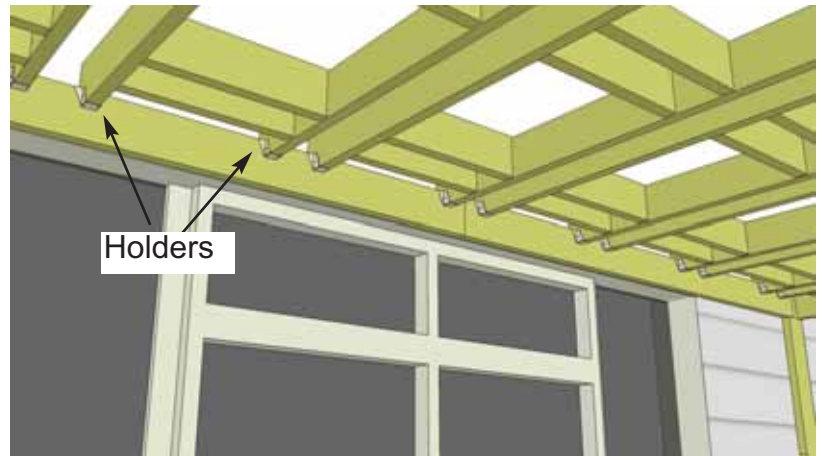
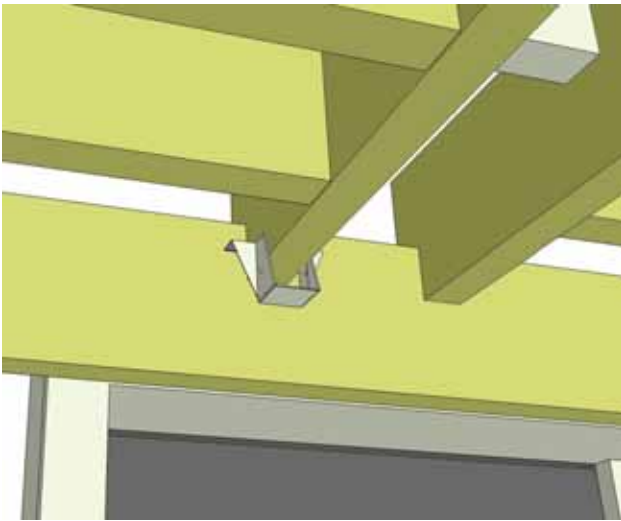
24. Place 2nd Ladder Section into position as per **Step 23**. Do not secure ladders to Girders until **Step 27-28**.



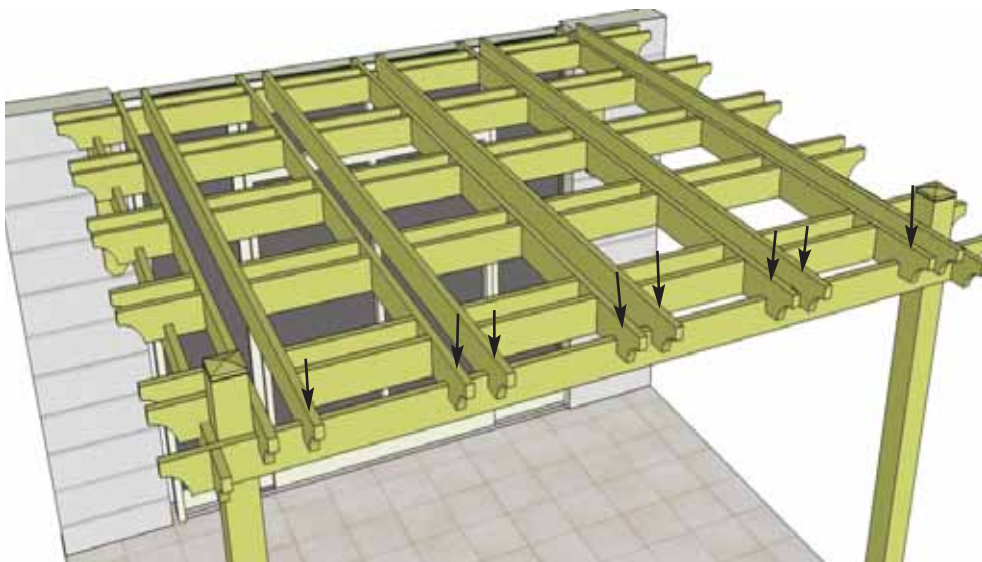
25. Lift and place final Ladder Section into position as per **Step 23**.



26. To complete Ladder Sections, first confirm Ladders are positioned correctly. Measure approximately 5 1/2" between each Ladder Section at both front and back of the pergola. **Important-** Ladder Sections may vary slightly, check for equal spacing before attaching.

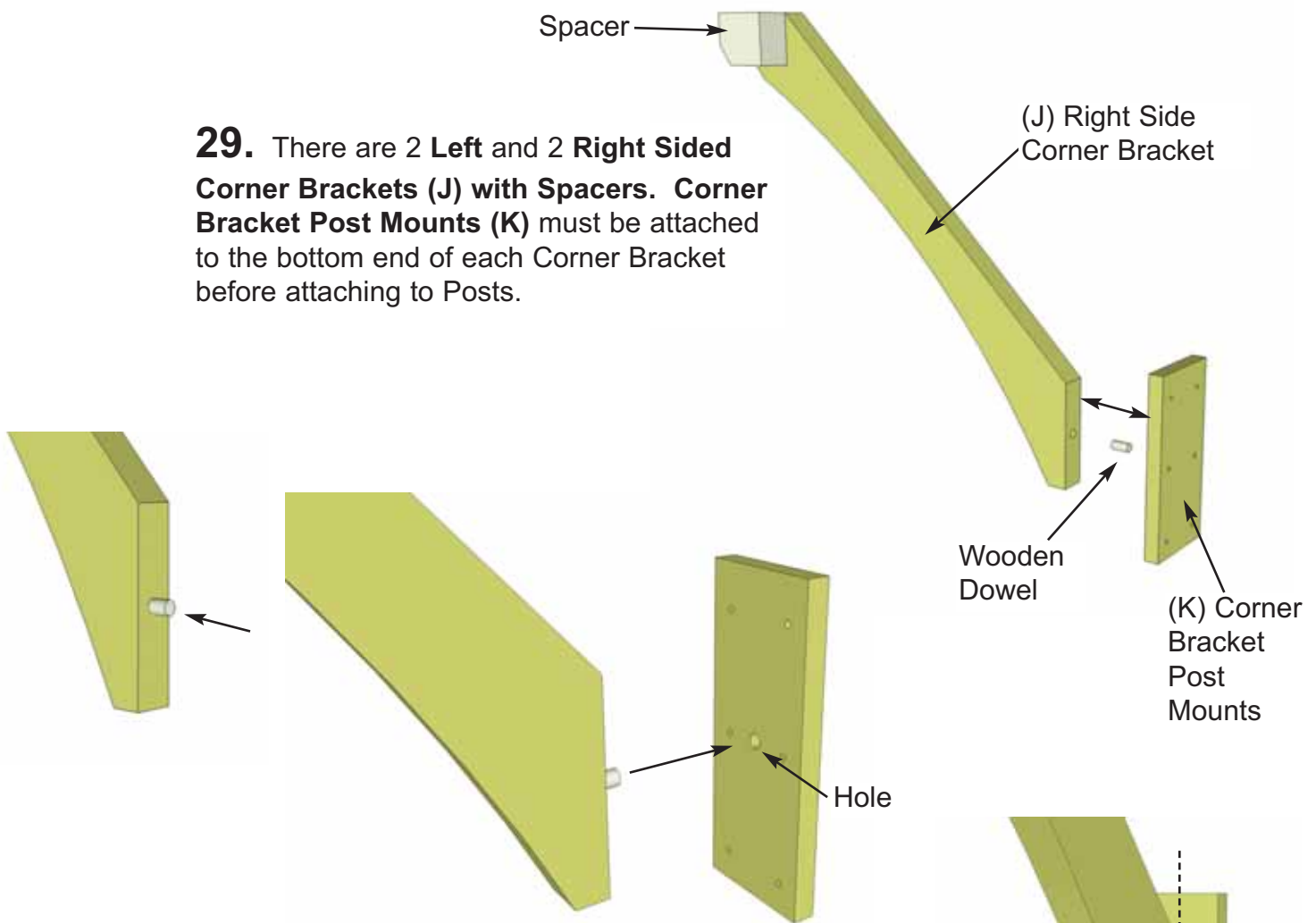


27. When comfortable with spacing, slide a Joist Mount Bracket under each Main Joist and attach as per **Step 18**.

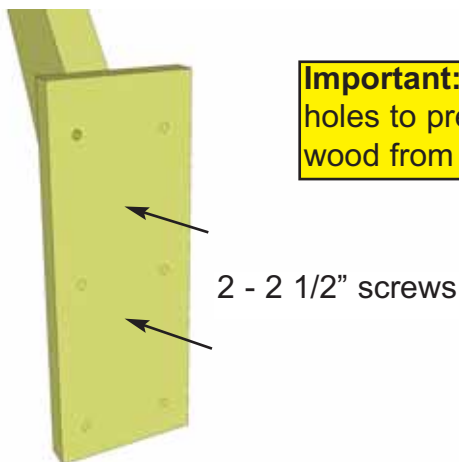
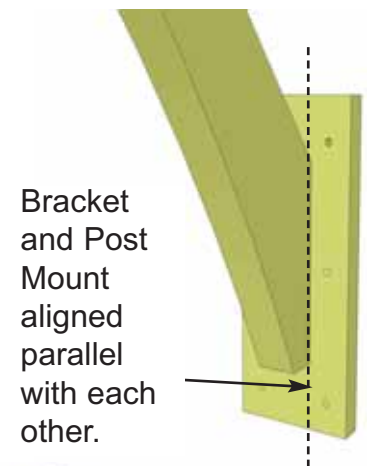


28. Attach the front of each Ladder Section to Front Girders (E) with 2 - 4" screw per Ladder. Screw from top down into girder.

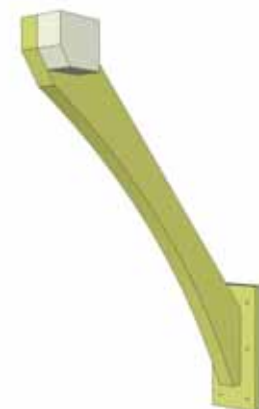
29. There are 2 **Left** and 2 **Right Sided Corner Brackets (J) with Spacers**. **Corner Bracket Post Mounts (K)** must be attached to the bottom end of each Corner Bracket before attaching to Posts.



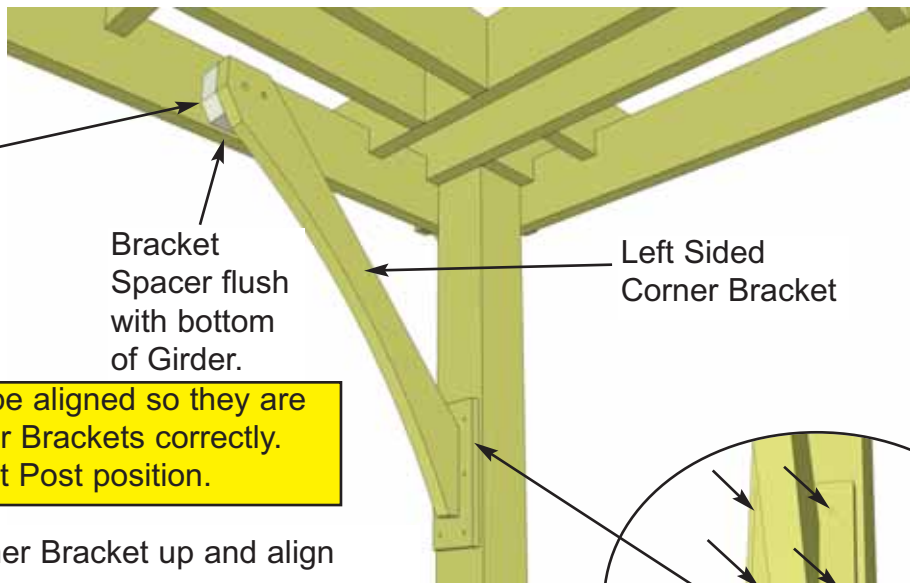
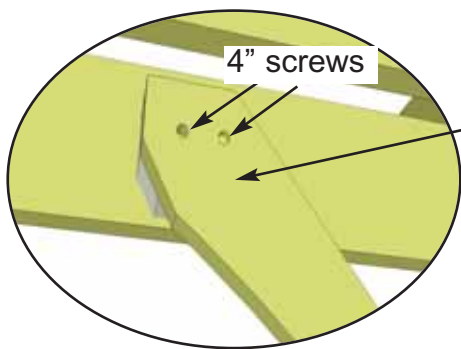
30. To assist you with Bracket and Post Mount alignment, both the end of the Bracket and Post Mount have been drilled for a **Wooden Dowel**. Wooden Dowels are found in the Hardware Kit Bag. Insert a Wooden Dowel in end of Corner Bracket first and then push Post Mount onto Dowel until Bracket and Post Mount are flush together. Align Post Mount parallel with Bracket.



Important:- Drill pilot holes to prevent wood from splitting.

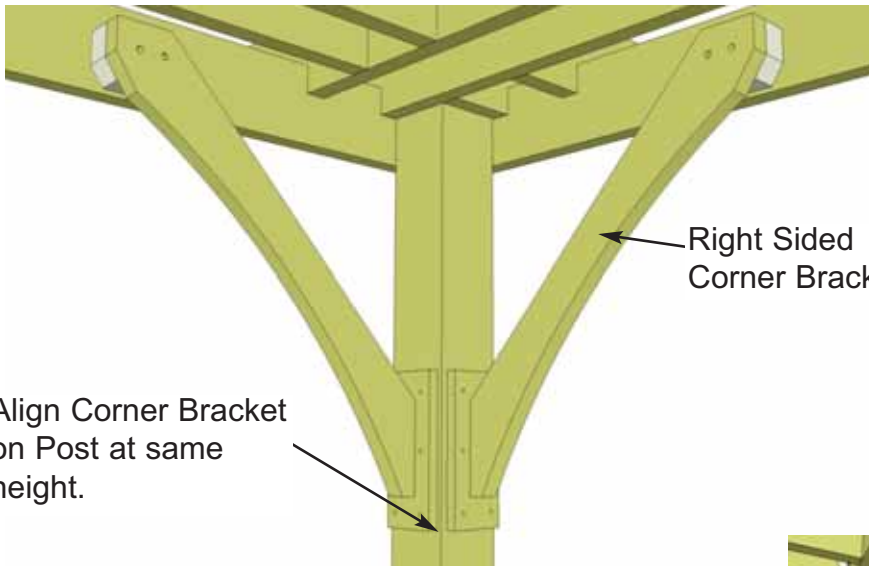
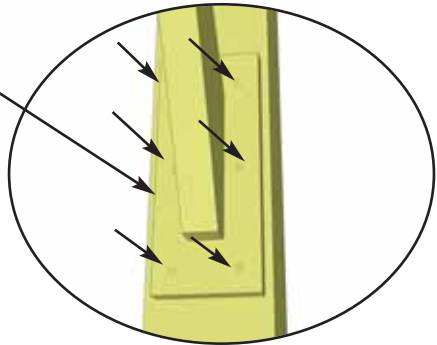


31. With Bracket and Post Mount correctly aligned, screw Post Mount to Bracket with 2 - 2 1/2" screws. **Important- Drill pilot holes in Post Mounts and Bracket to prevent wood from splitting!** Complete all remaining Brackets/Post Mount connections.

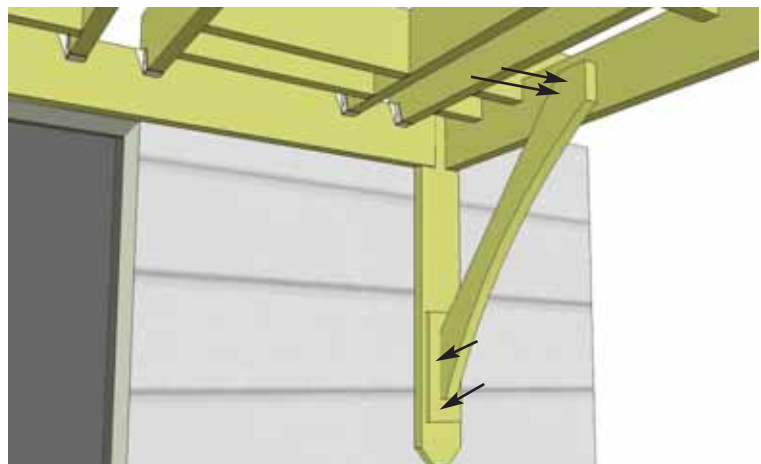
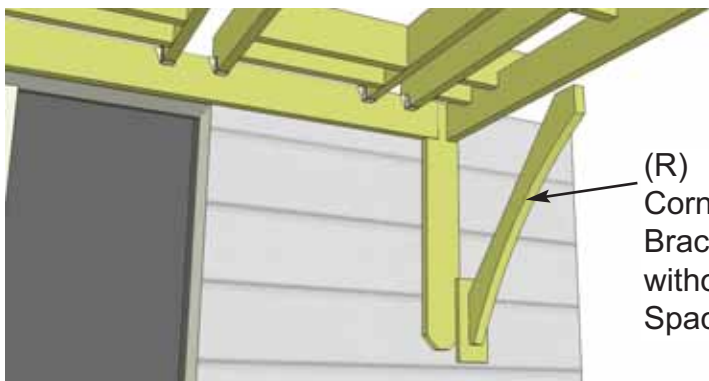


Important- Posts may need to be aligned so they are true and square to mount Corner Brackets correctly. Use a Level to determine correct Post position.

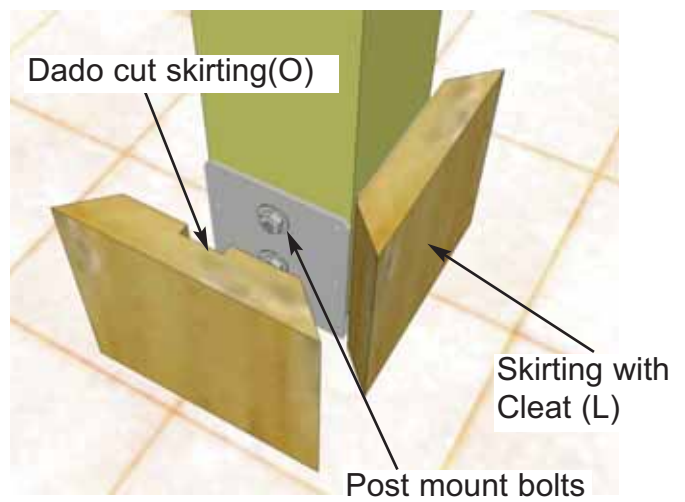
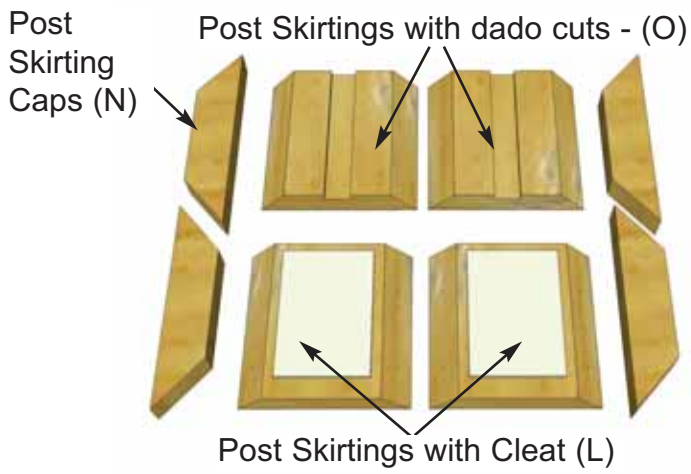
32. Lift completed Left Sided Corner Bracket up and align bottom of Bracket Spacer flush with bottom of Girder. At bottom of Corner Bracket, align Post Mount evenly and tight against Post. When correctly aligned, secure at top with 2 - 4" Screws. To secure Post Mount, use 6 - 2" Stainless Steel Screws. Note, Post Mount and Top of Bracket are pre-drilled.



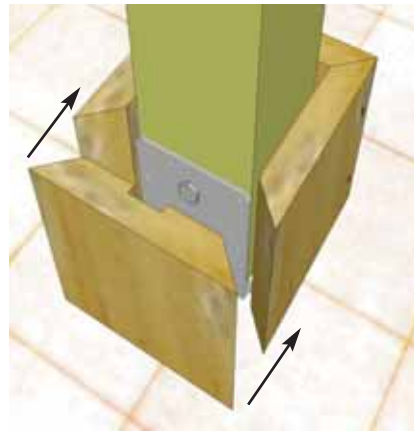
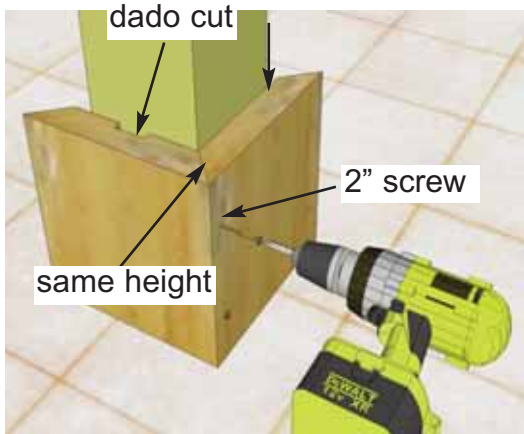
33. Align and attach a Right Sided Corner Bracket on Post as per **Step 32**. Make sure both Brackets are aligned on Post at the same height before attaching.



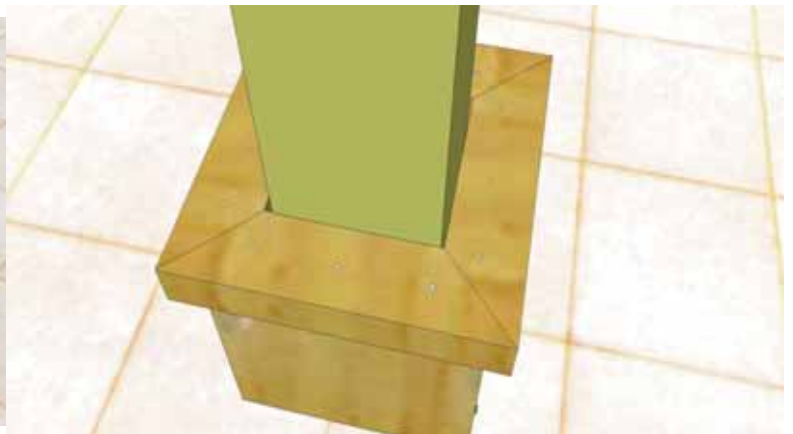
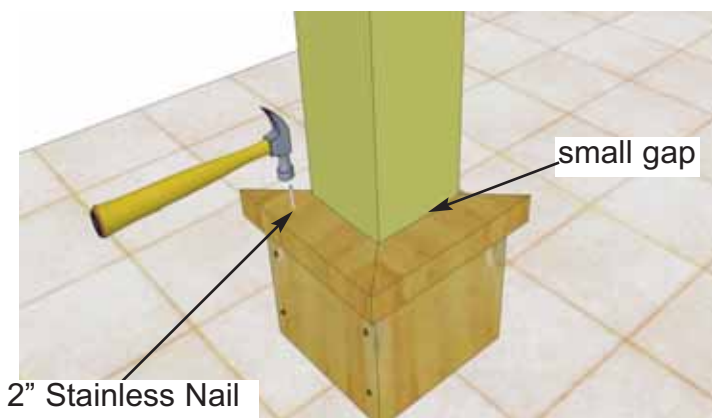
34. Lift and position the last 2 remaining Corner Brackets (without Spacers) centered on the Wall Mount Brackets (M) and at the top flush against the Side Girders (H). Attach the upper bracket to the Side Girder from the inside with 2 - 2 1/2" screws. Attach the Post Mount to the Wall Mount Bracket with 6 - 2" screws. Complete the other side to complete your attached Breeze.



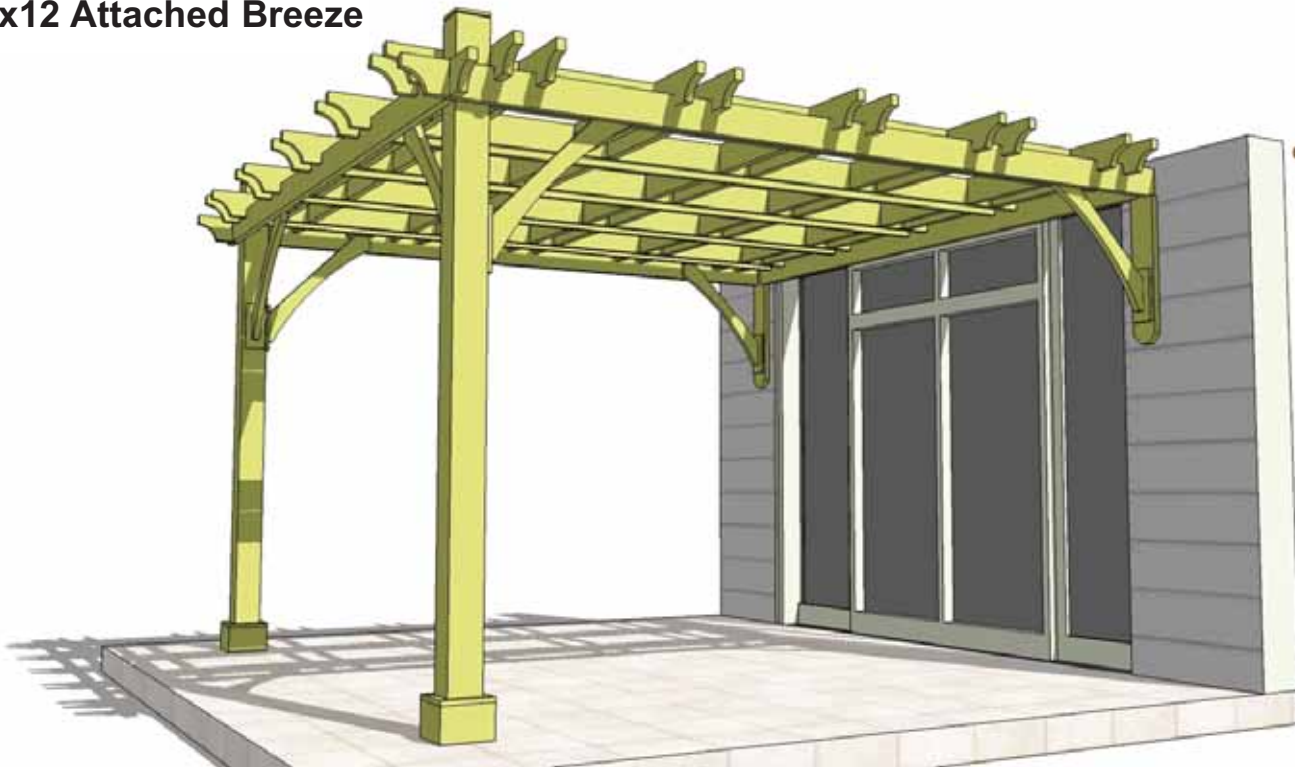
35. Locate all Post Skirting pieces. Position 2 post skirtings around the base of post as shown above. Use 1 **Post Skirting with Cleat - 1 1/2" x 9" x 10" (Part L)** and a **Post Skirting with Dado Cut - 1 1/2" x 9" x 10" (Part O)** initially. Cleat piece should be aligned opposite post mount hardware and dado piece aligned with post mount bolts (hardware).



36. With your helpers assistance, screw Part L & O pieces together with 2 - 2" screws at pre-drilled locations. Make sure pieces are aligned on edges and top and bottom. Cleated skirting piece are pre-drilled. Complete remaining skirting pieces around the post. Position skirting unit evenly around post. Secure to post by screwing 1 - 2 1/2" screw into the center of each cleated skirting piece (L).



37. Position **Post Skirting Caps - 1 1/2" x 2 1/2" x 10 5/8" (Part N)** on top of skirting unit and against post. Do a dry run first to confirm fit. There will be a small gap between post and inside of cap. Attach caps down into skirting tops with 3 - 2 1/2" **Stainless Steel Finishing Nails** per piece. Complete remaining post skirtings.



Congratulations and thanks for purchasing a Breeze Pergola!

Note; The Breeze Pergola is an unfinished product. If exposed to the elements, the western red cedar lumber will weather to a silvery-gray color. If you prefer to keep the cedar lumber looking closer to the original color, we suggest that you treat the wood with a good oil base wood stain. You may also wish to paint your new Pergola rather than stain it. In both cases we recommend that you consult with your local paint and stain dealer in your local area for their recommendations.

We value your feedback and would like to hear back from you on how well we are doing in the following areas:

1. Customer Service
2. On Time Shipping
3. Motor Freight Delivery
4. Quality of Materials
5. Assembly Manual
6. Overall Satisfaction.

Please call, write or email us at:

Outdoor Living Today

Canadian Address	United States Address
9393 287th Street	P.O. Box 96
Maple Ridge, British Columbia, Canada	Sumner, Washington, USA
V2W 1L1	98295



The materials contained in this Assembly Manual may be downloaded or copied provided that ALL copies retain the copyright and any other proprietary notices contained on the materials. No material may be modified, edited or taken out of context such that its use creates a false or misleading statement or impression as to the positions, statements or actions.