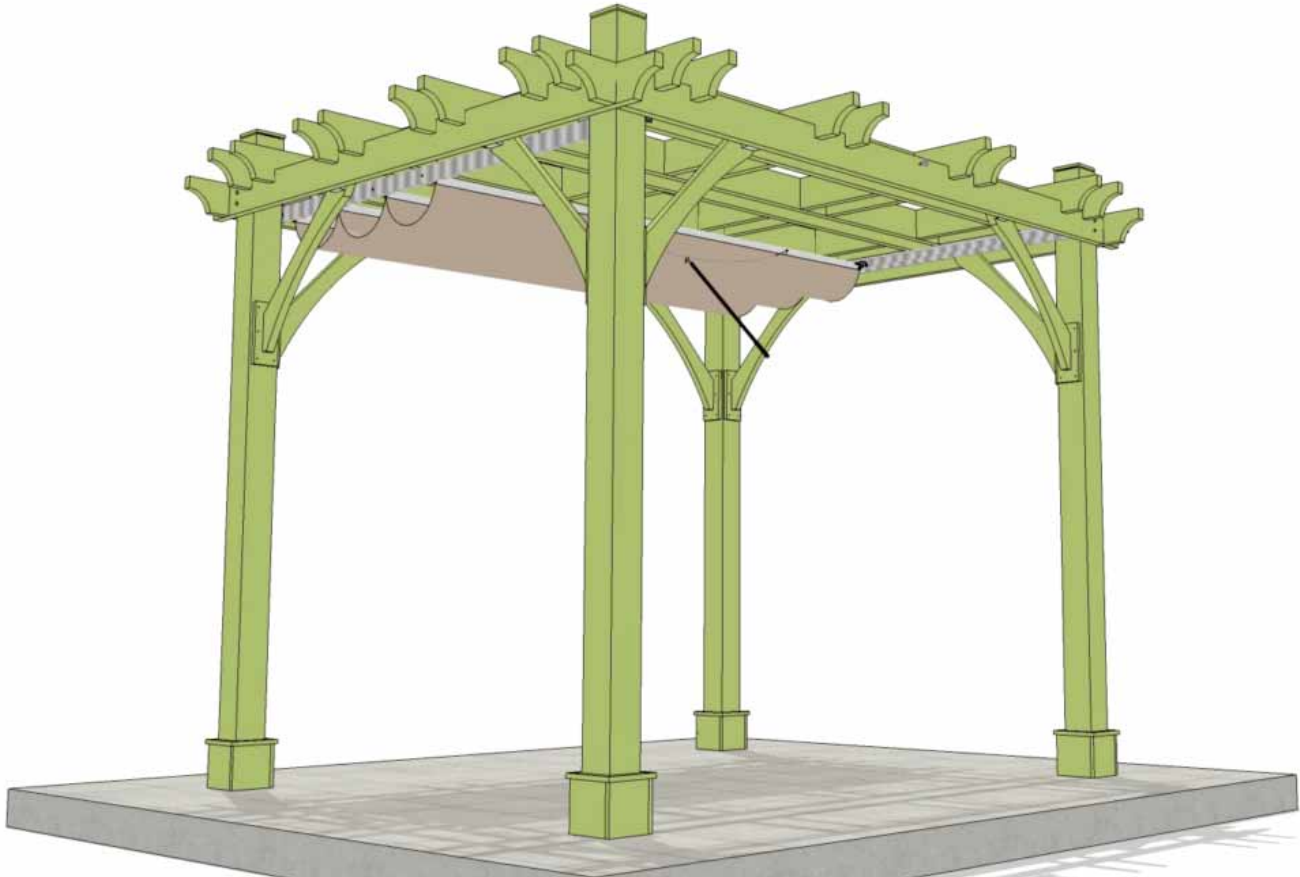


OLM Retractable Canopy for  
8X8 Spa Breeze Pergola  
by  
Outdoor Living Today



Revision 2  
May 14th /2020



**Care and Maintenance -**

Canopy should be removed in winter to reduce the chance of collapse during heavy snow falls. Never leave canopy extended during snow, heavy rains or serious wind storms. Reasonable care should be taken to remove accumulated dirt and debris in track. Lubrication (supplied in kit) of wing wheels and track should be done annually. Check Wheels, Axels, and all fasteners annually for wear and defect. Replace as required. Do not over-tighten fasteners attaching Track. Over torquing can break screw head off. Canopy Tracks may have sharp corners. Always use gloves when handling to prevent cuts. To keep the Harbor-Time canopy fabric looking clean and bright, wash periodically with a soft brush, warm water and mild soap. Do not use detergent. 5 year limited manufacturer's warranty on the Harbor-Time canopy fabric.

Customers agree to hold Outdoor Living Today and any Authorized Dealers free of any liability for improper installation, maintenance and repair of any Outdoor Living Today products.

In the event of a missing or broken piece, simply call the Outdoor Living Today Customer Support Line @ 1-888-658-1658 within 30 days of the delivery of your purchase. It is our commitment to you to courier replacement parts, free of charge, within 10 business days of this notification. Replacement parts will not be provided free of charge after the 30 day grace period.



**Once your pergola and retractable canopy have been correctly installed, do a water test to confirm water is draining properly from the canopy.**

**Please contact us immediately if large amounts of water remain in each fabric fold when extended. The Canopy is designed to hold several gallons of water per fold. If more than a gallon of water is collecting in each fold, keep the canopy closed until a solution is found. Failure to do so could void your warranty.**

## **Trouble Shooting**

### **Water Not Draining From Canopy**

#### **Possible Causes:**

- Canopy Fabrics needs more drop. If fabrics are too tight when extended, water will not drain properly. Try lowering anchor knobs on both ends to increase fabric drop.
- Slope of Canopy not steep enough. Pergola could be sloped the wrong direction. A deeper Lowering Cleat may be required.

### **Canopy Not Rolling Back and Forth Smoothly on Tracks**

#### **Possible Causes:**

- Tracks and Wheels need to be Lubricated.
- Check Track to confirm it is straight. Bend or move track to straighten if possible.
- Mounting Track fasteners are impeding wheels. Check and adjust if necessary.

# 8x8 Breeze Pergola Retractable Canopy Parts List

## Parts List



1 1/4" Brown Wood Screws -  
7 Pcs.



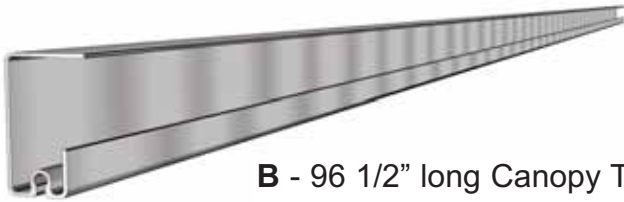
1 1/4" Torx Screws -  
12 Pcs.



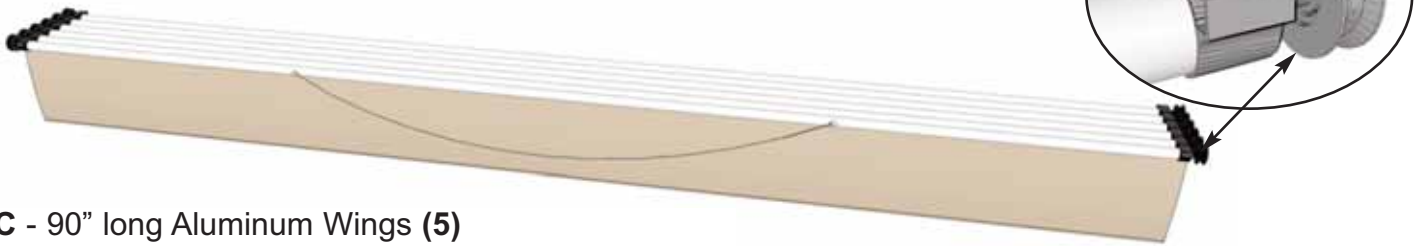
4" Torx Screws  
5 Pcs.



**A - Canopy Lowering Cleat - 2 Pcs.**  
- 1 1/2" x 1 1/2" x 28 5/8" x 2pcs



**B - 96 1/2" long Canopy Tracks - 2 Pcs.**



**C - 90" long Aluminum Wings (5)**  
(With Plastic Wheel attached to each Wing end.)

**4 Canopy Fabrics.**

(OEN\_EN\_EN\_OEN)

24.75" \_23.25" \_23.25" \_24.75"

Maximum Fabric Displacement = 94"

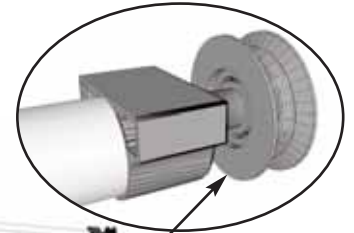
Actual Fabric Displacement = 96"

**(2" Drop)**

Actual Aluminum Wing Length - 87 1/4"

Actual Fabric Length - 87 1/2"

Non Cut Caps



Track Lubricant - 1 Pc.



**D - Aluminum Wing Stop**  
**4 1/4" Long- 2 Pcs.**  
2 drill holes.



**E - Wing Anchor Knobs**  
- 3 Pcs.



**F - Canopy Pull Handle**



Square Drive Bit  
1 Pc.



Torx Drive Bit  
1 Pc.



1/4" Drill Bit  
1 Pc.

## Tools and Safety Equipment Required (Not Provided)



Screw Gun/Drill



Level



Tape Measure



2 Ladders



Safety Glasses

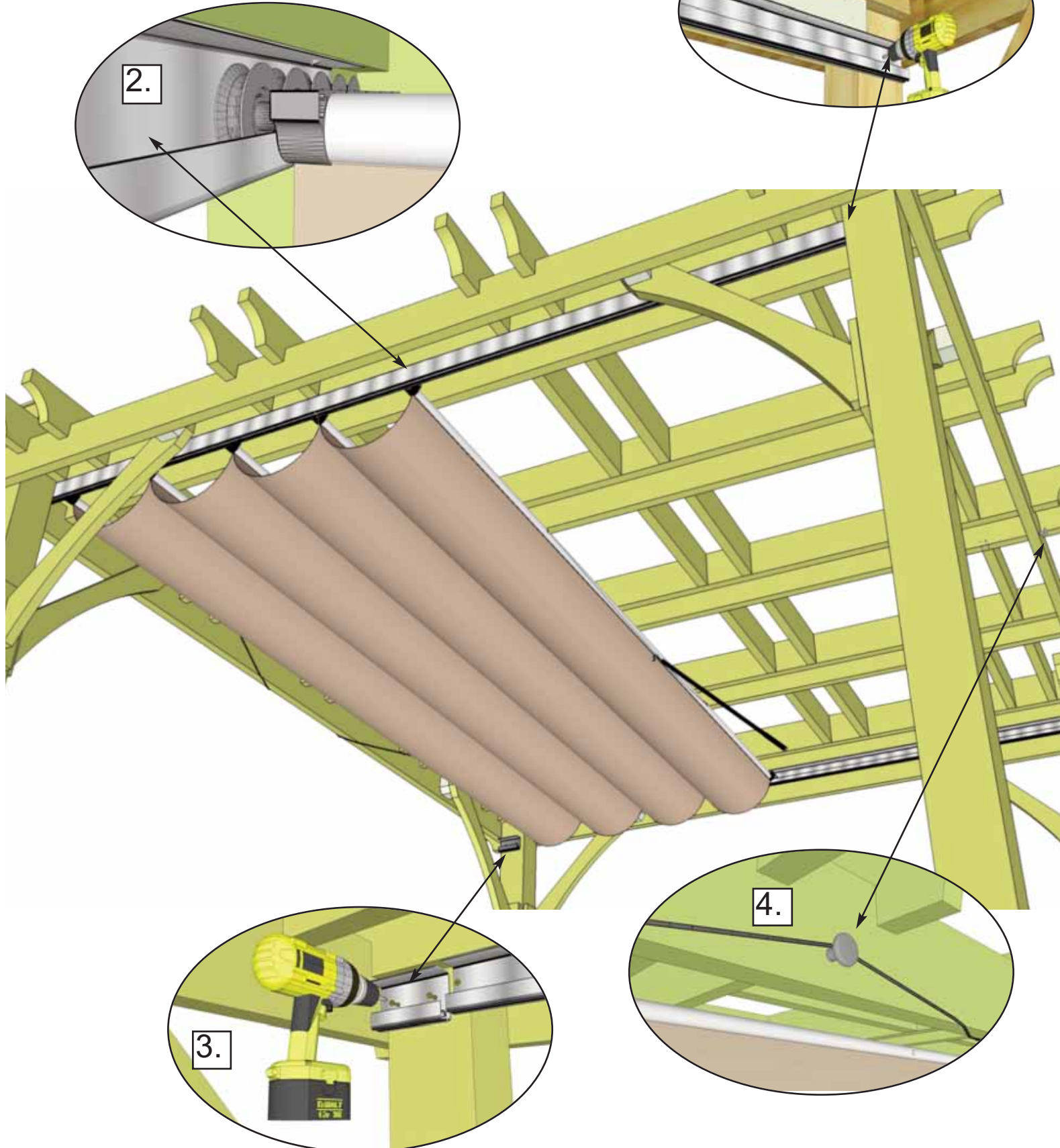


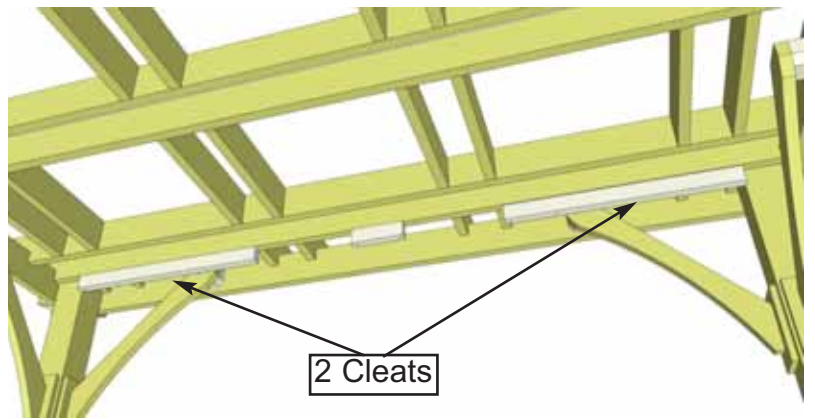
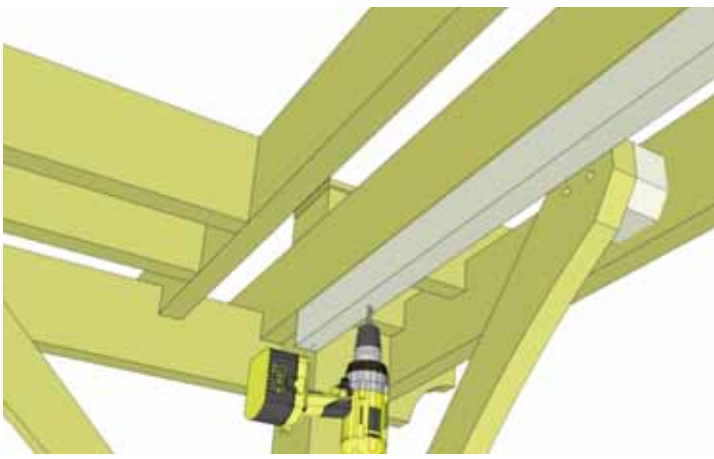
Work Gloves

# Installation of the OLM Retractable Canopy couldn't be easier. Just 4 Easy Steps!

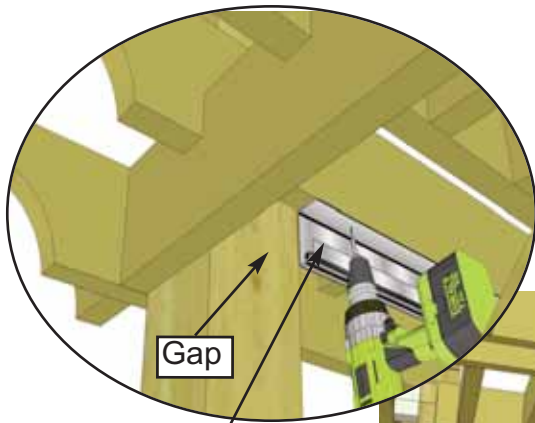
1. Attach lowering cleat and canopy tracks to pergola framing.
2. Lift aluminum wings with canopy and feed wheels into track.
3. Position aluminum wing stop and attach.
4. Install knobs to anchor both ends of your canopy.

Installation will require 2 people.

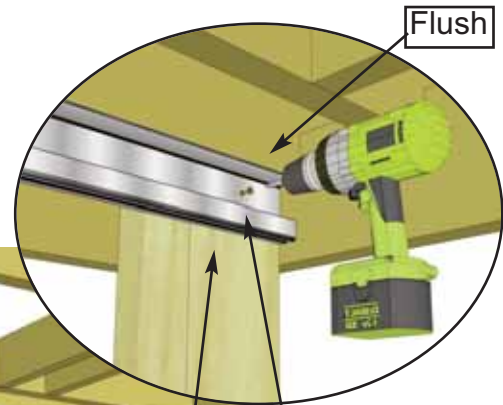




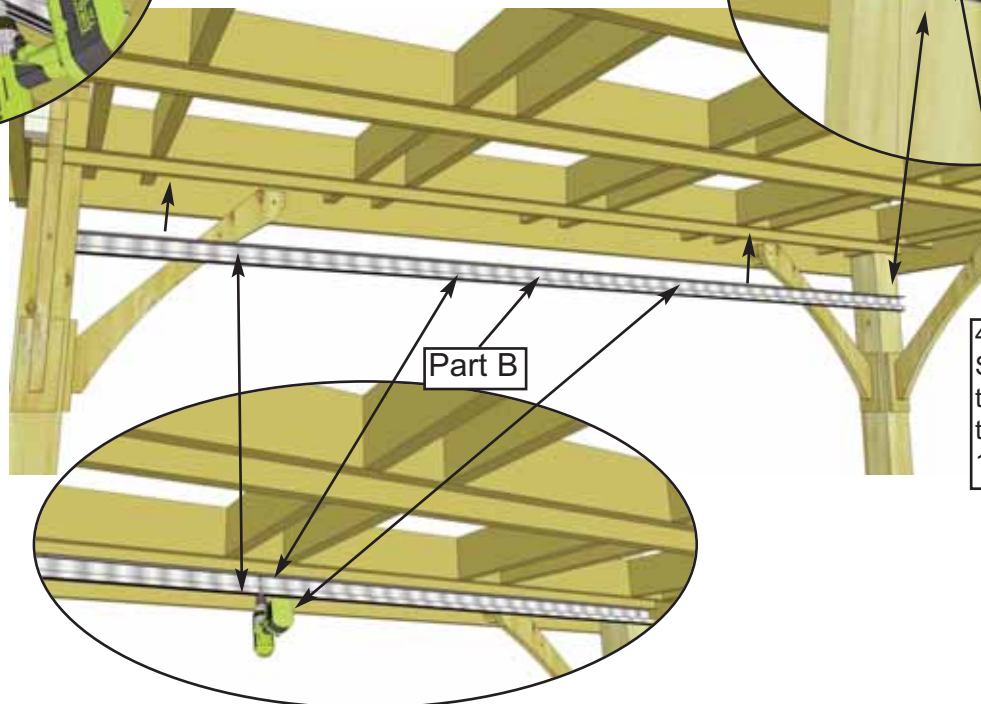
**1.** With a Step Ladder, install **Part A - Canopy Lowering Cleats - 2 pcs Total. (2 pcs. @ 1 1/2" x 1 1/2" x 28 5/8")**. Attach with **2-3 - 4" Torx Screws**. Cleats will lower the canopy on one side and drain water off the fabric so it doesn't collect excessively. Decide best side for water to drain for your situation. Position cleats underneath pergola joists or blocking as shown above and attach. Cleats are pre-drilled for Torx Screws.



Gap for Aluminum Wing Stop is generally the anchor end of canopy and where the fabric will bunch up.

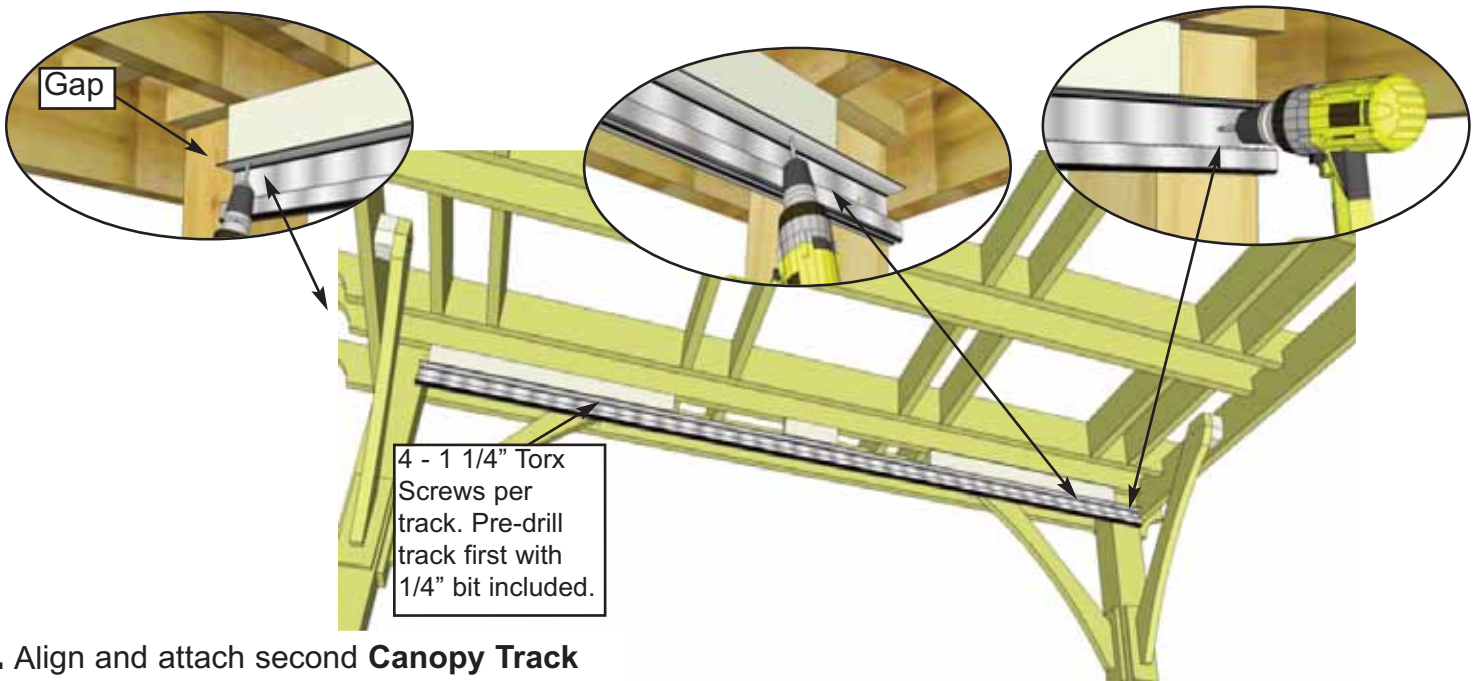


4 - 1 1/4" Torx Screws per track. Pre-drill track first with 1/4" bit included.

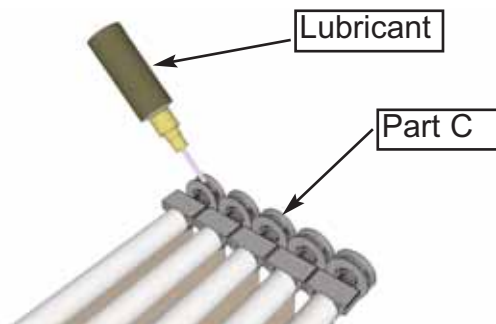
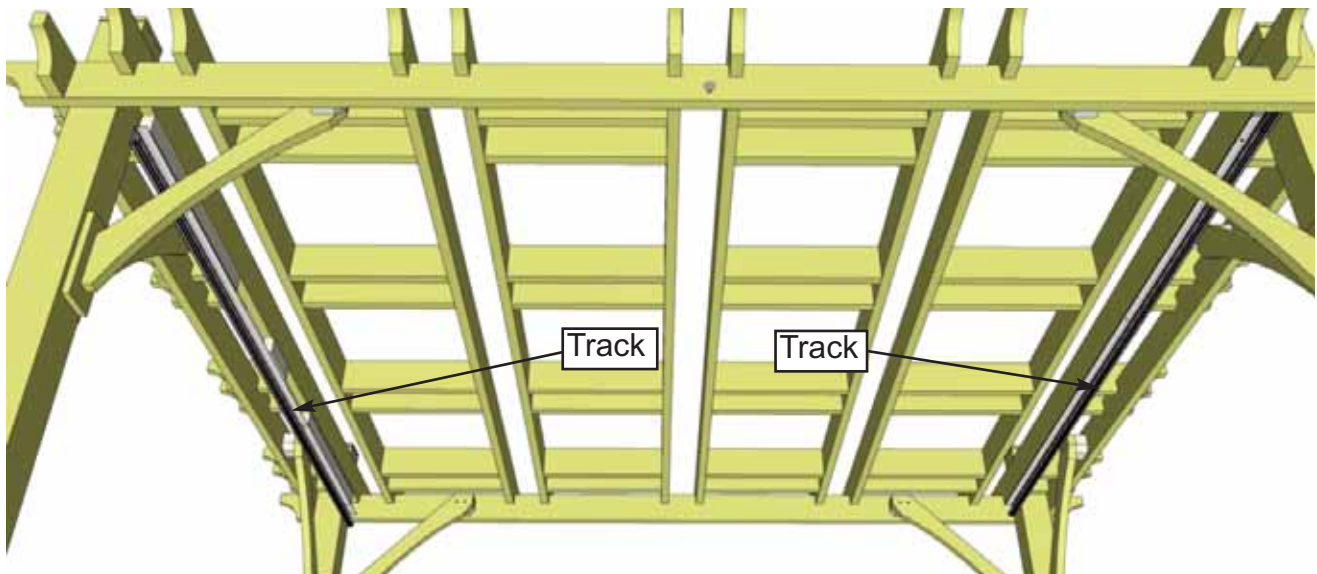


4 - 1 1/4" Torx Screws per track. Pre-drill track first with 1/4" bit included.

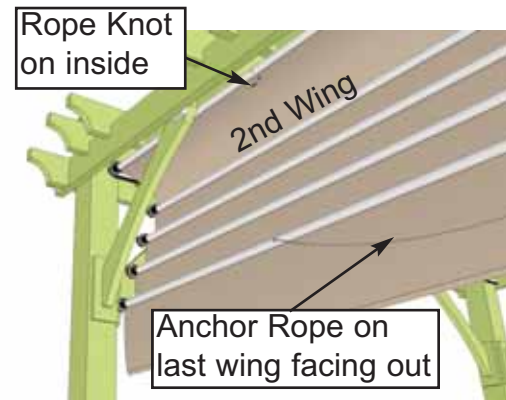
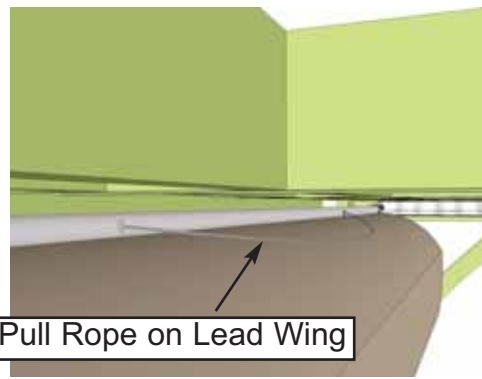
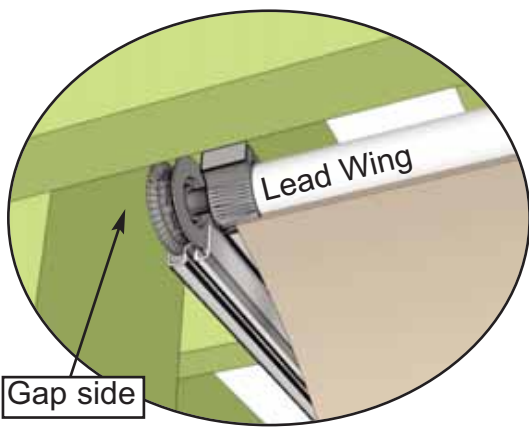
**2.** With Step Ladders and assistance, lift up **Part B - 96 1/2" long Canopy Track** and position against post and tight to the underside of pergola joist on side (use side without lowering cleats first). Align track against post. Attach track to post with 1 - 1/4" Torq Screw. Drill hole in track with 1/4" drill provided. On opposite end of track, screw 1 - 1 1/4" Torq Screw up through the track into bottom of wood joist. Attach 3 more 1 1/4" Torq Screws evenly spaced along the the track into the bottom of joist.



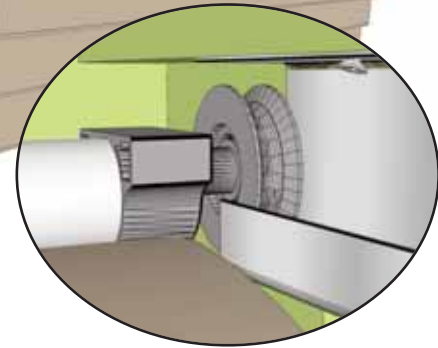
**3.** Align and attach second **Canopy Track** directly underneath lowering cleats as per Step 2. Position track end flush against post opposite to Wing Stop as illustrated above. Use 4 - 1 1/4" Torq Screws to secure. When screwing into track, drill with 1/4" bit first and angle screw into cleat.



**4.** Prior to feeding **Part C - Aluminum Wings and Canopy** into track, locate Lubricant in Hardware Pack and apply a small amount to top of each wheel. Spin wheel slowly to lubricate entire surface. Complete all wheels.

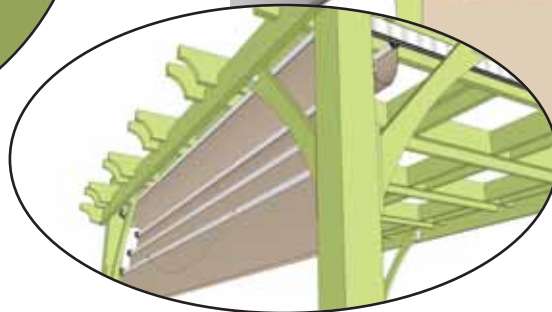
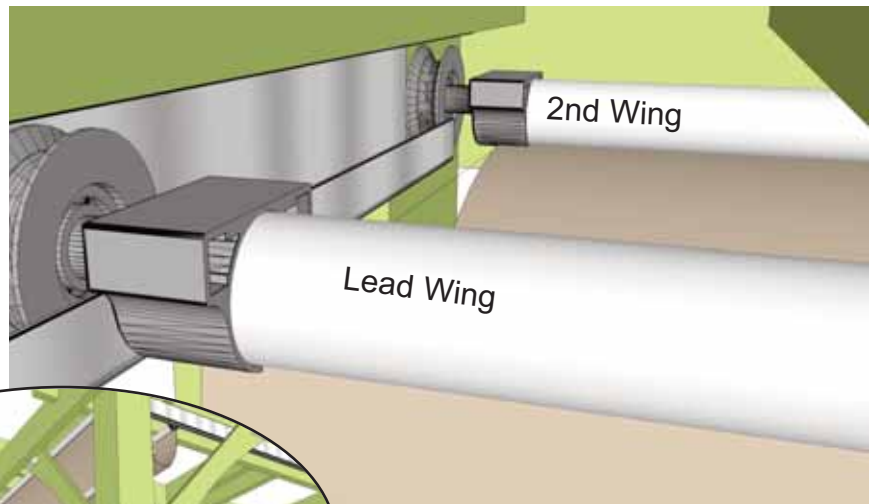
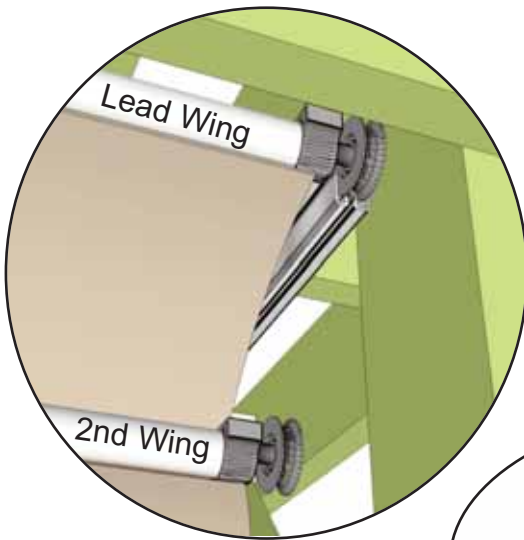


**5.** Before feeding **Part B - 90" long Aluminum Wings (5)** with **Canopy** into track, make sure canopy fabric is facing the correct direction. First, locate Lead and Anchor Wings in set. Both have a black pull rope attached. Make sure rope knots are facing to the inside and the pull rope is facing to the outside. Starting with the Lead Wing, feed the wing wheels onto the track as shown above. Wheels have springs and compress in and out slightly to fit. Feed wings in the track that is open on the end (gap side) first.

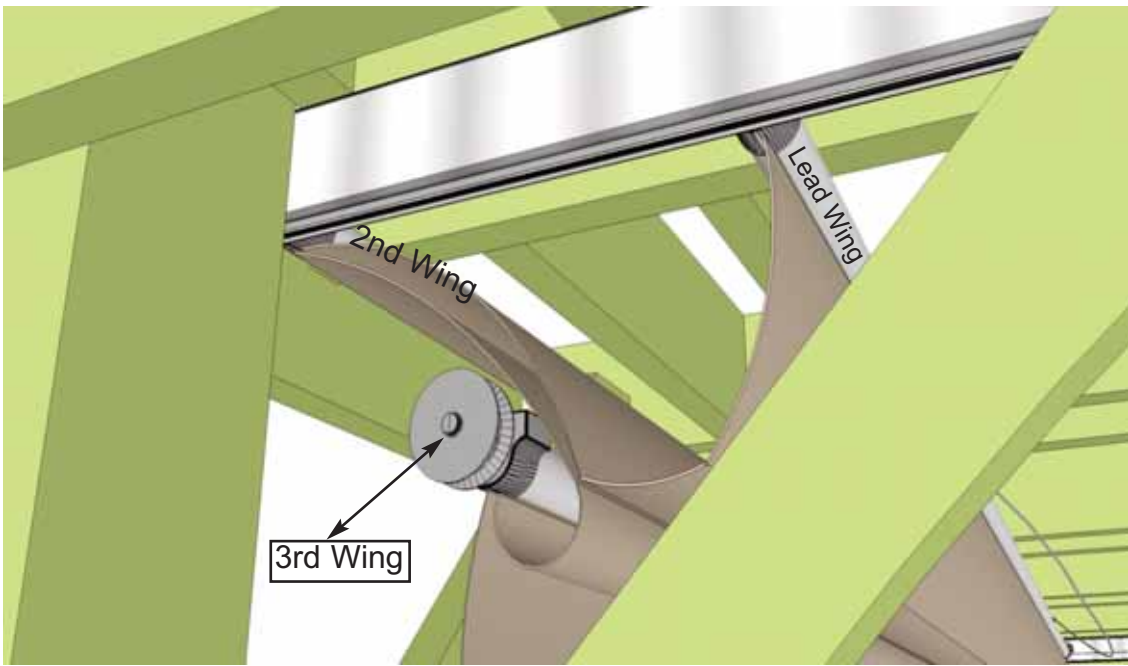


**Important-** Ensure rope knots are on the top side of the canopy, facing the center of the pergola so that pull rope is accessible.

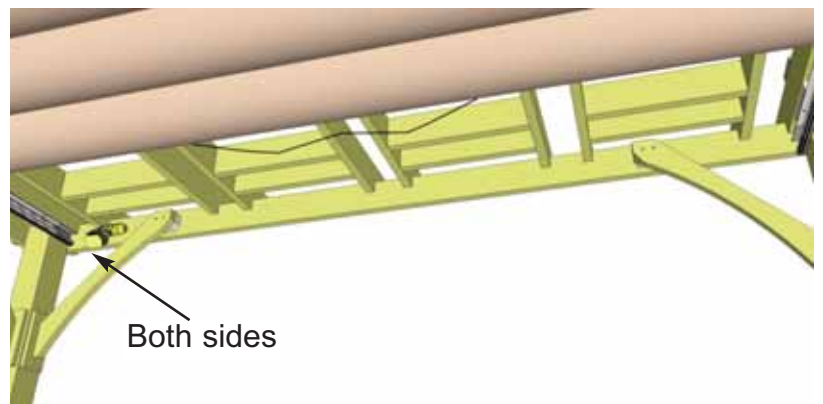
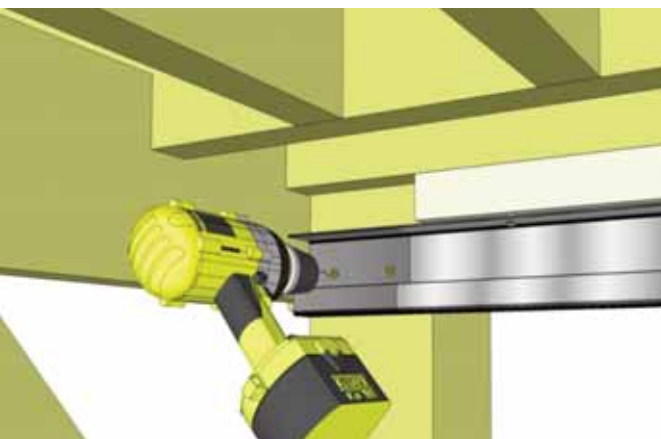
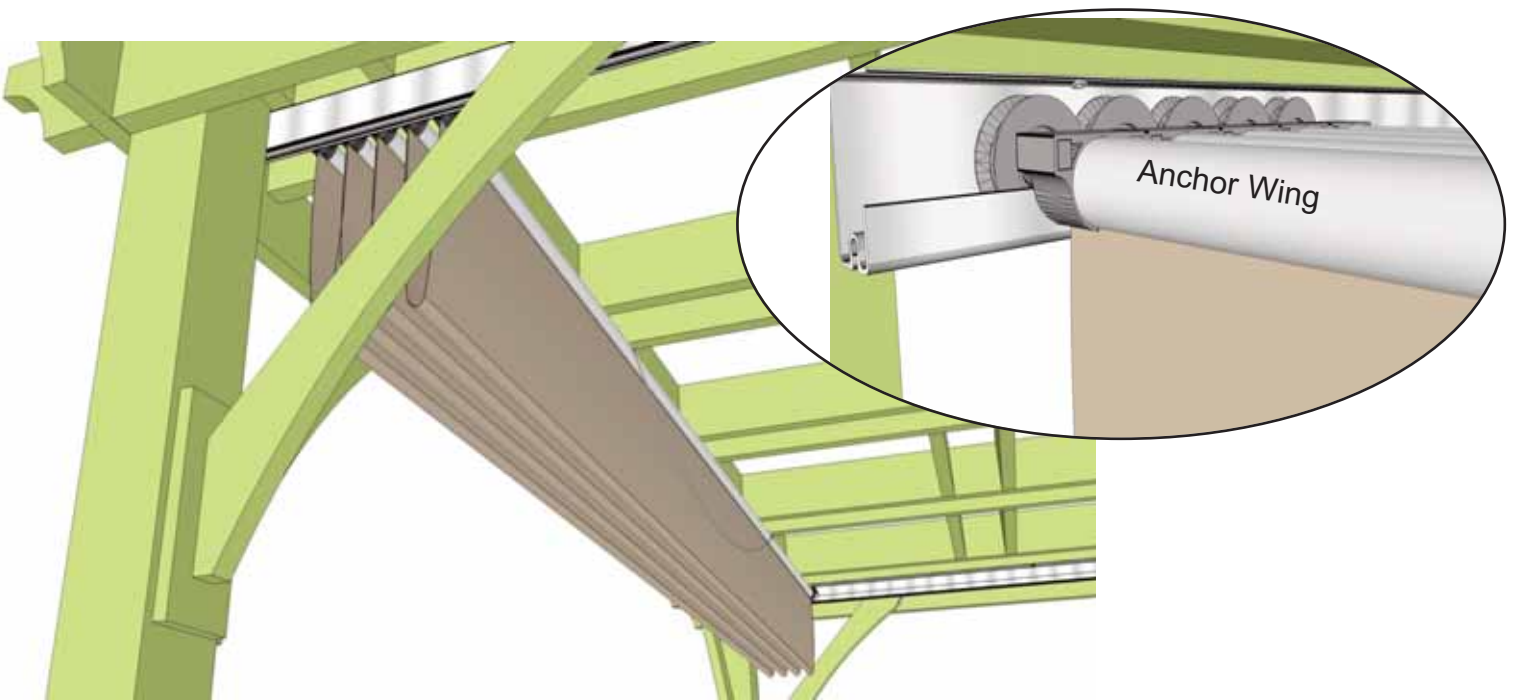
You will need 2 Ladders and a helper to feed the wings into track.



**6.** Push Lead Wing slightly ahead on track. Wings can roll out of track until **Part D - 4 1/4" long Aluminum Wing Stops** are installed so be careful. Lift and feed 2nd Wing into track and push wing slightly forward.

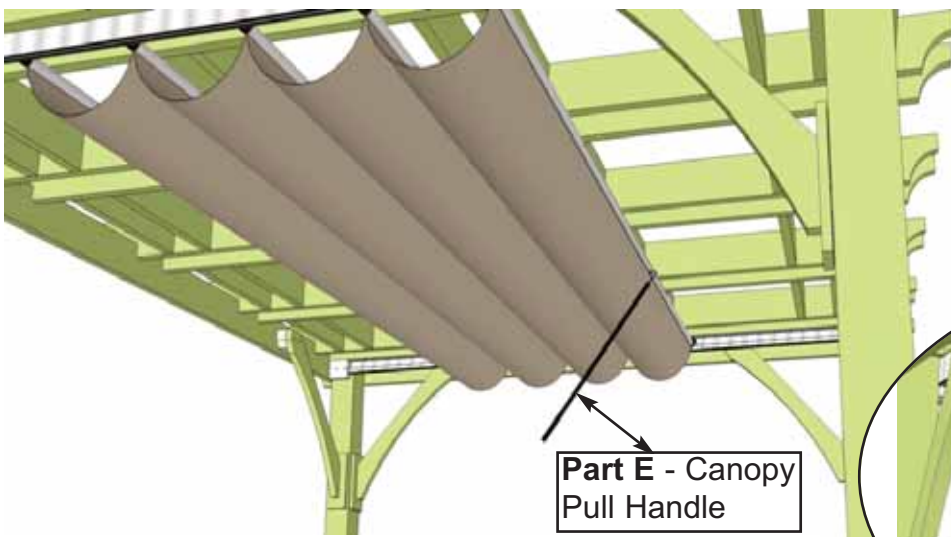


**7.** Continue to feed wings into the track until all wings are installed.

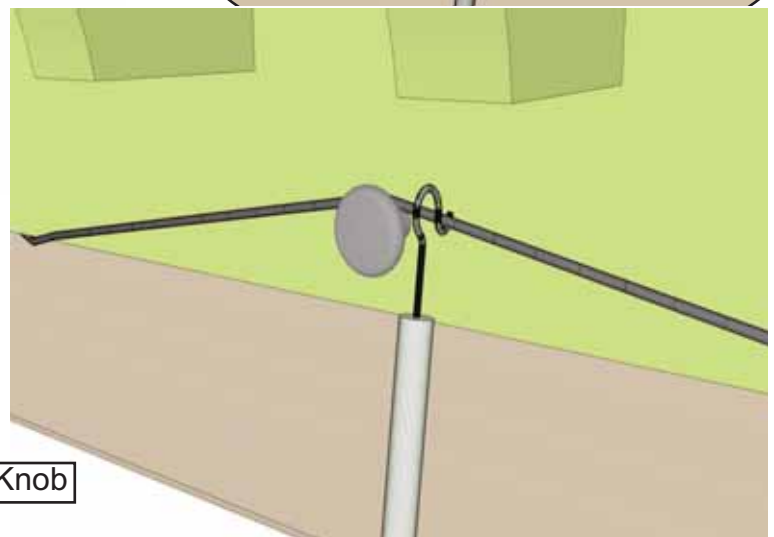
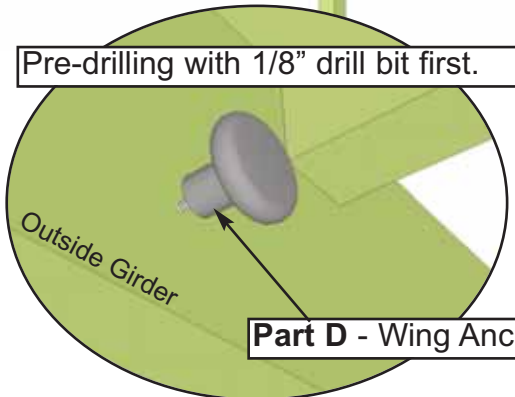
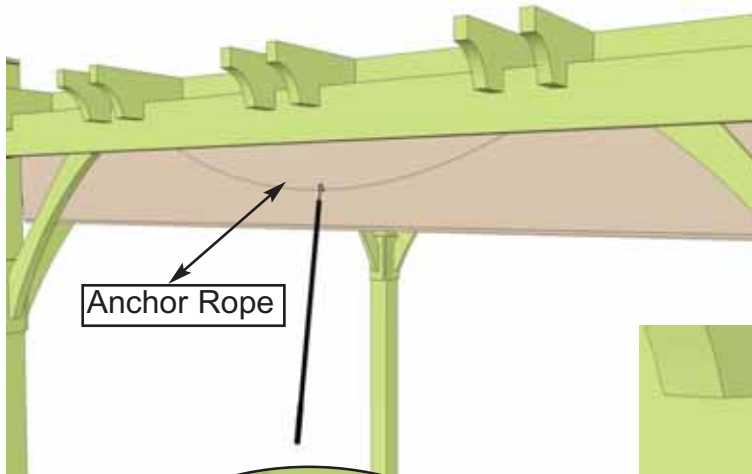
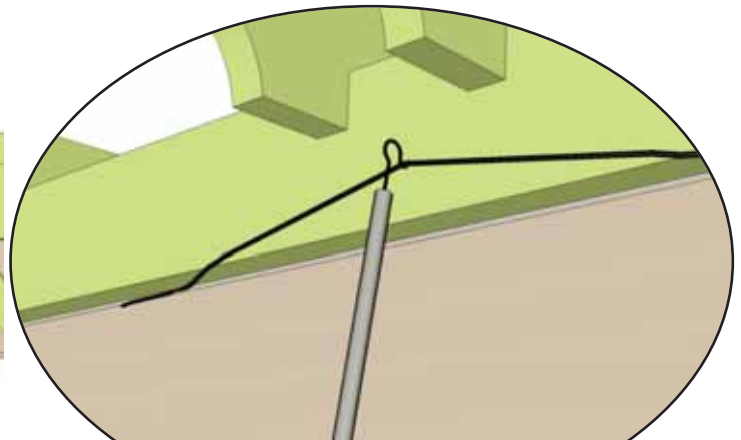
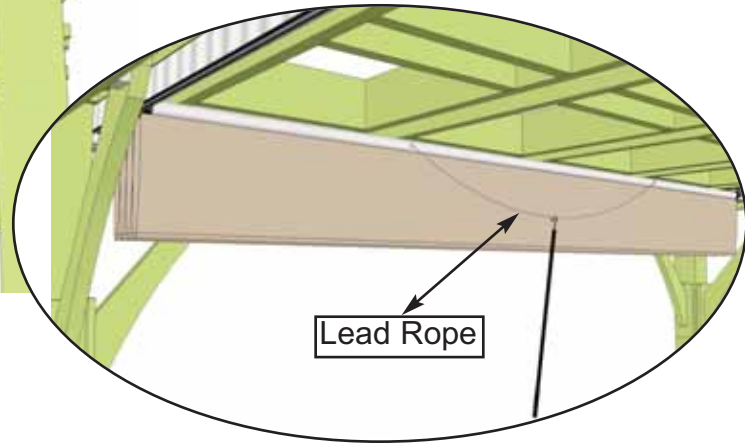


**8.** Install **Part D - 4 1/4" long Aluminum Wing Stops - 2 Pcs.** where track ends and gap exists. Use 2 - 1 1/4" brown screws per stop to install. When removing the wings and canopy in the future, simply remove wing stops and roll wing and canopy out carefully with a helper.

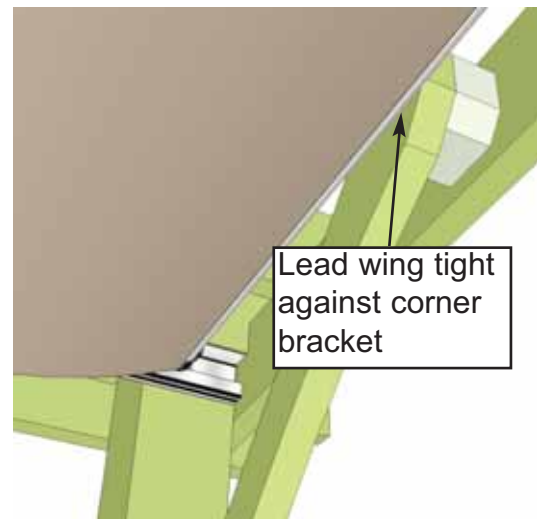
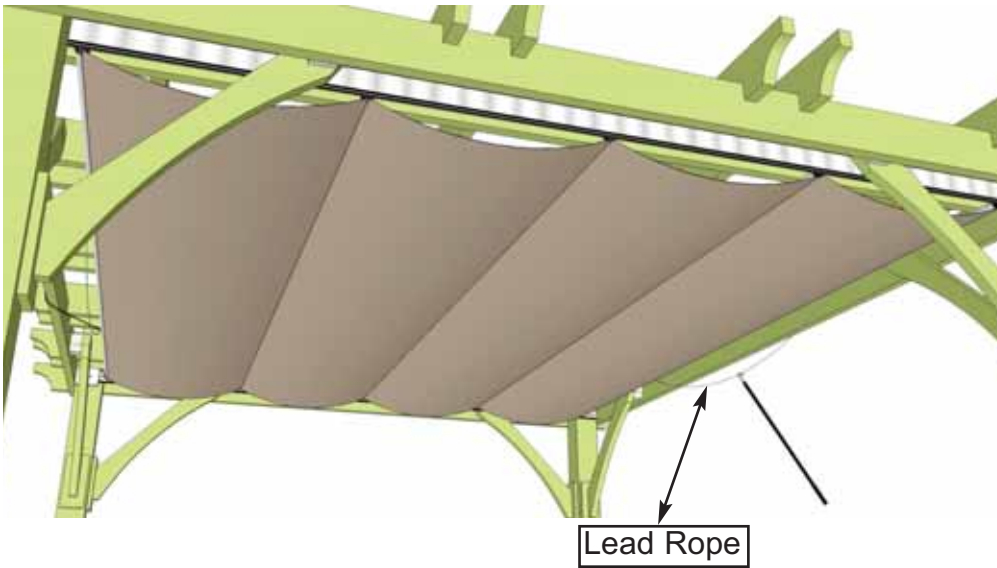




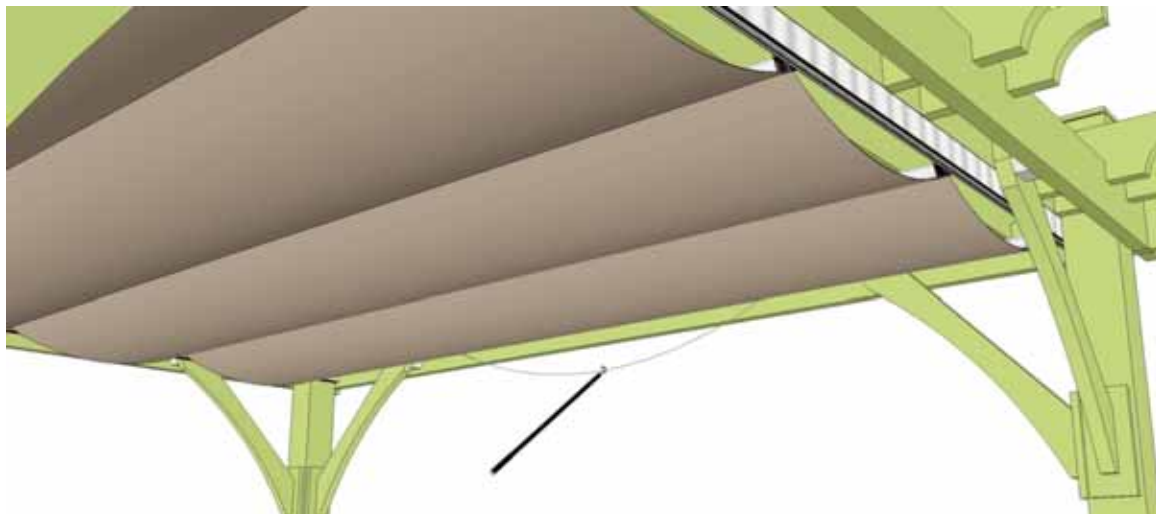
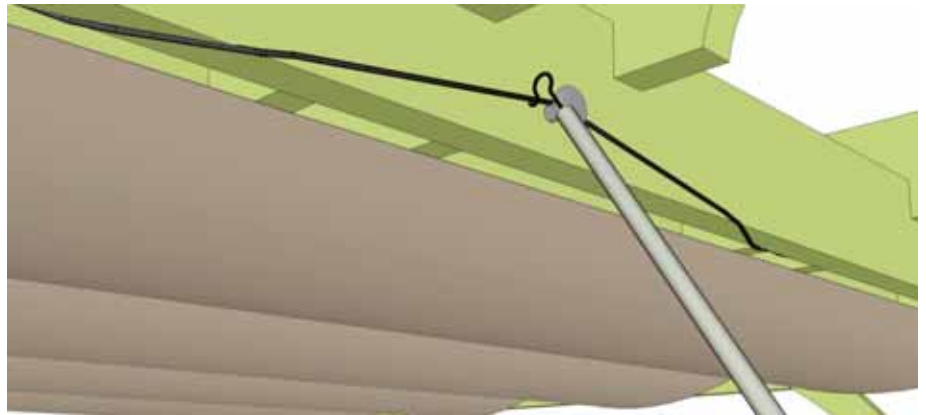
**9.** Using **Part E - Canopy Pull Handle**, pull canopy back and forth a few times to lubricate wheels and track. If wing binds, stop and pull forward until wings are straight and start again. When wings and canopy are tracking well, pull canopy to anchor side of pergola to install **Part D - Wing Anchor Knob**.



**10.** With canopy pull handle or on a ladder using your hand, pull anchor rope up tight so anchor canopy wing can't move. Confirm anchor wing wheel is against aluminum wing stops. Center Anchor Knob from side-to-side and mark. Before attaching, make sure anchor rope will be snug when slipped over knob. Screw wing anchor knob into outside girder. Pre-drilling with 1/8" drill bit may be helpful.

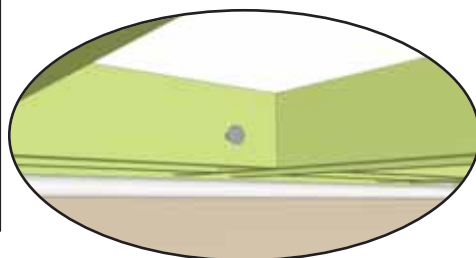
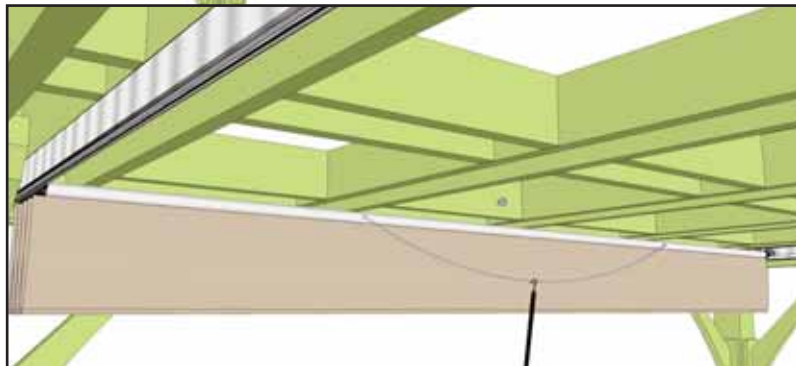


**11.** Pull canopy out using pull handle on lead rope. Fully extend canopy until outside lead wing contacts corner bracket or until canopy cannot extend further. Follow **Step 10** to position and attach wing anchor knob to outside girder.



**12.** Extend and contract the canopy several times with pull handle. When extending or contracting the canopy, **pull** firmly in one continuous motion to prevent wings from binding.

When your canopy is contracted, an optional 3rd wing anchor knob can be installed to keep canopy from opening in windy conditions. Follow **Steps 9 and 10** to install. Use any convenient joist to install knob.

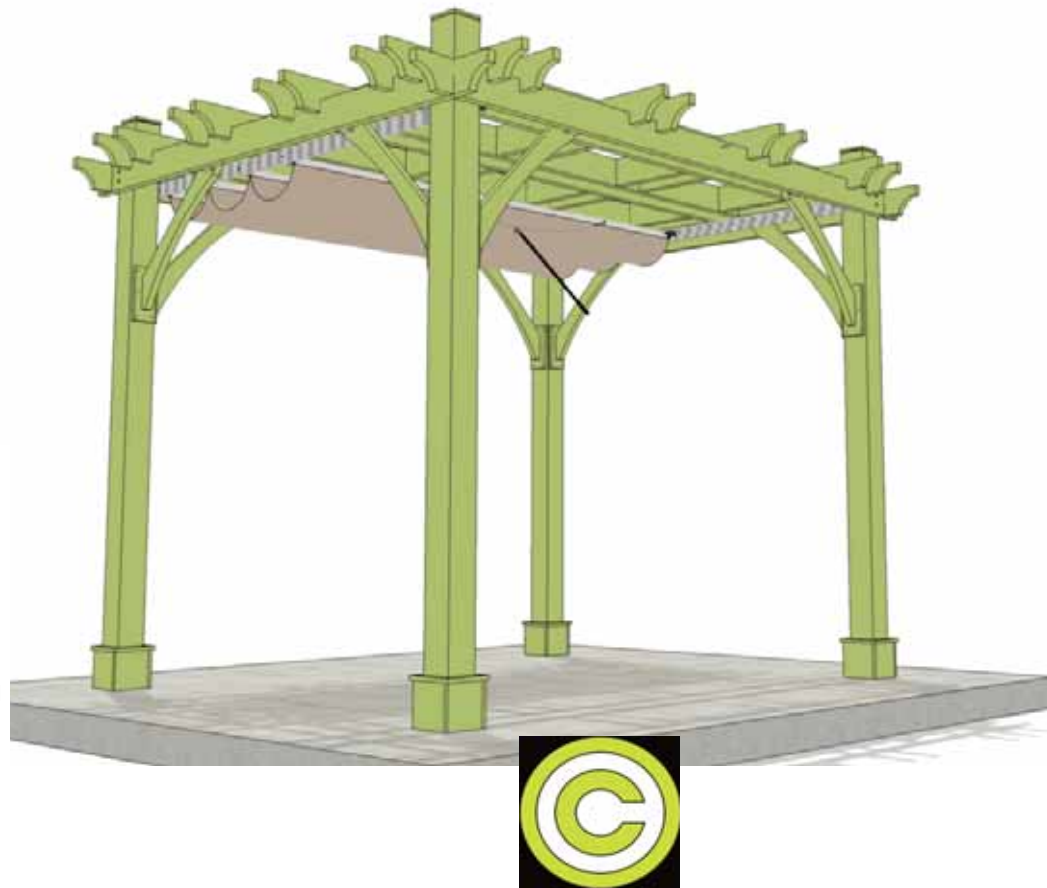


# Congratulations on installing your OLM Retractable Canopy from Outdoor Living Today.



## Care and Maintenance -

Canopy should be removed in winter to reduce the chance of collapse during heavy snow falls. Never leave canopy extended during snow, heavy rains or serious wind storms. Reasonable care should be taken to remove accumulated dirt and debris in track. Lubrication (supplied in kit) of wing wheels and track should be done annually. Check Wheels, Axels, and all fasteners annually for wear and defect. Replace as required. Do not over-tighten fasteners attaching Track. Over torquing can break screw head off. Canopy Tracks may have sharp corners. Always use gloves when handling to prevent cuts. To keep the Harbor-Time canopy fabric looking clean and bright, wash periodically with a soft brush, warm water and mild soap. Do not use detergent. 5 year limited manufacturer's warranty on the Harbor-Time canopy fabric.



We hope your experience assembling your OLM Retractable Canopy has been both positive and rewarding.

We value your feedback and would like to hear back from you on how well we are doing in the following areas:

1. Customer Service
2. On Time Shipping
3. Motor Freight Delivery
4. Quality of Materials
5. Assembly Manual
6. Overall Satisfaction.

Please call, write or email us at:

Outdoor Living Today

Canadian Address  
9393 287th Street  
Maple Ridge, British Columbia  
Canada V2W 1L1

United States Address  
P.O. Box 96  
Sumas, Washington  
USA 98295

The materials contained in this Assembly Manual may be downloaded or copied provided that ALL copies retain the copyright and any other proprietary notices contained on the materials. No material may be modified, edited or taken out of context such that its use creates a false or misleading statement or impression as to the positions, statements or actions.