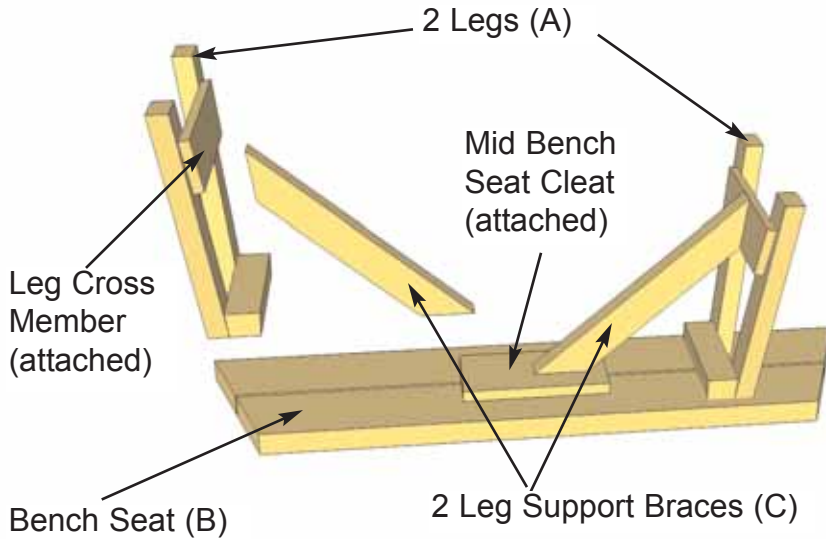


### Parts List for Gazebo Bench

**Important - If you receive a broken or missing part. Please contact our Customer Service Center immediately @ 1-888-658-1658 for assistance.**



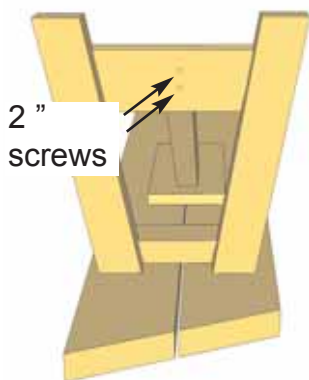
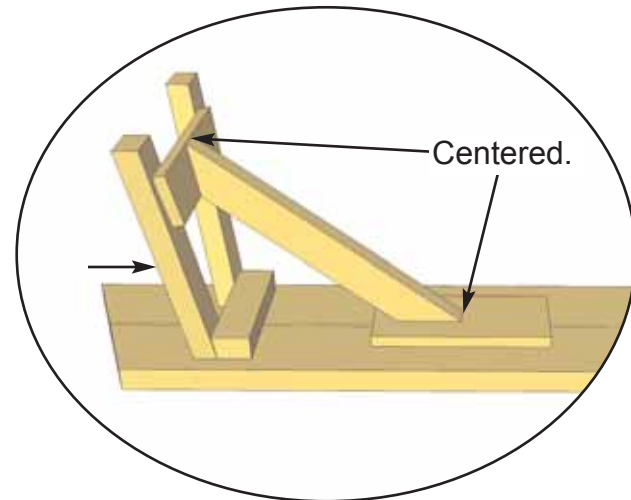
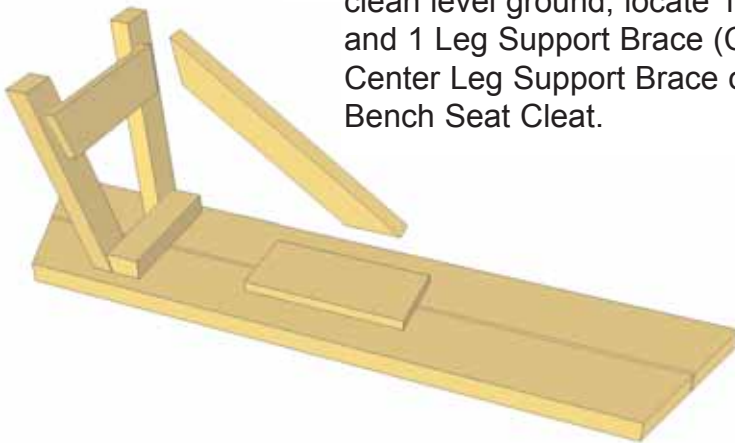
### Hardware List

2 1/2" Screws -  
Legs to Bench Seat Cleat  
Leg Support to Legs

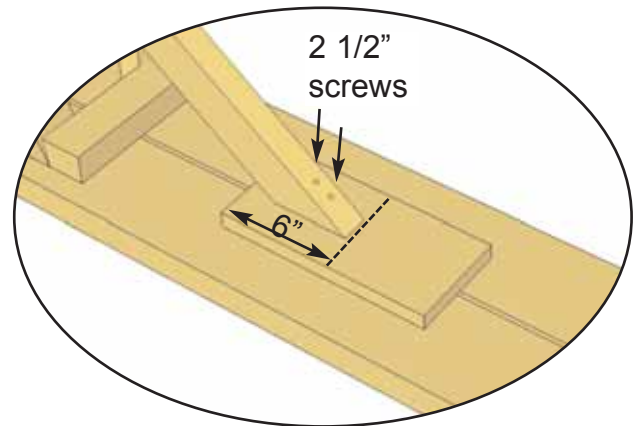
2" Screws -  
Leg Support to Bench Seat

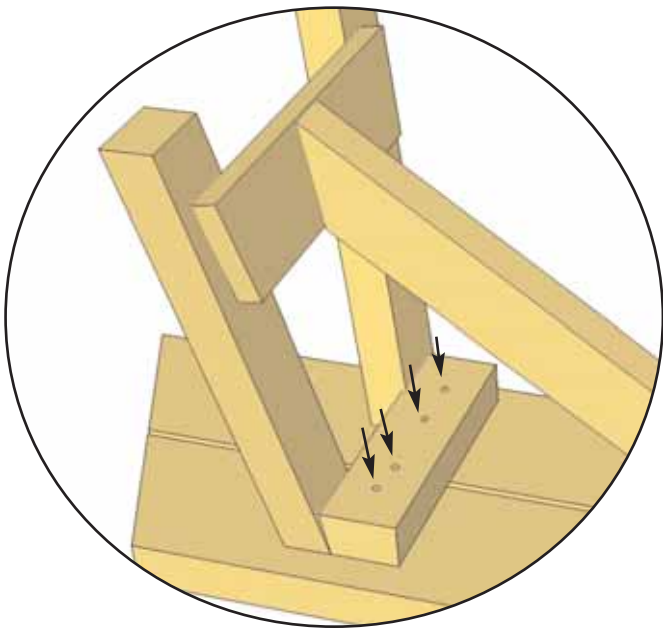
\* Use 1/8" Drill Bit for Pilot Holes to avoid splitting wood when inserting screws.

1. With Bench Seat (B) flipped over on clean level ground, locate 1 Leg (A) and 1 Leg Support Brace (C). Center Leg Support Brace on Mid Bench Seat Cleat.

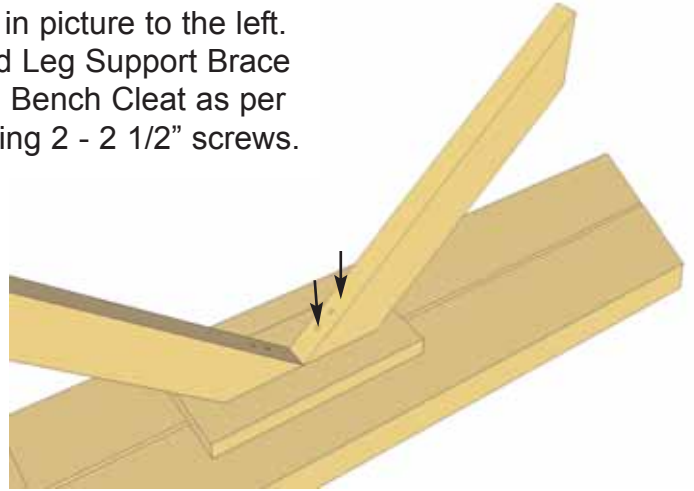


2. Once Leg Support Brace is centered on the Mid Bench Cleat and Leg Cross Member, secure to Cross Member with 2 - 2" screws. Secure to Mid Bench Cleat with 2 - 2 1/2" screws.

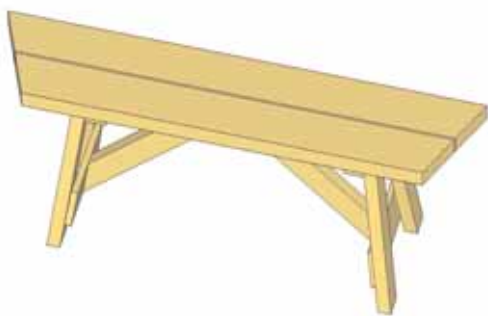
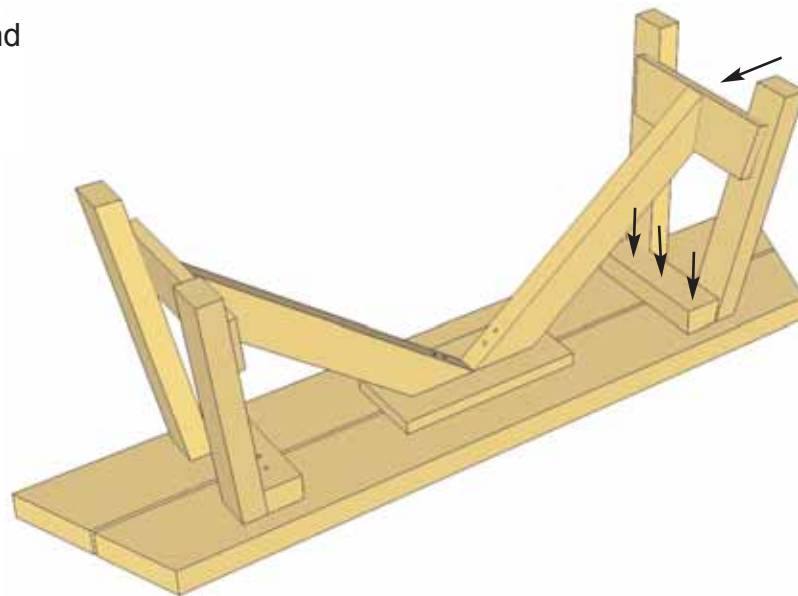




- 3.** Using 4 - 2 1/2" screws, attach Leg to underside of Bench Seat as shown in picture to the left. Attach 2nd Leg Support Brace (C) to Mid Bench Cleat as per **Step 2** using 2 - 2 1/2" screws.



- 4.** Complete attachment of 2nd Leg as per **Step 2**.



Flip completed Bench over and place inside gazebo against sidewall.

