



The added shelter allows you to use your outdoor space comfortably in various weather conditions, extending the usability of your garden or patio throughout the season.

Kit Includes:

- 120 Cubic Feet Of Space
- Optional Benches
- Optional Screen Kit
- Panelized For Quick Assembly
- Hardware Included (screws and nails)
- Western Red Cedar Construction

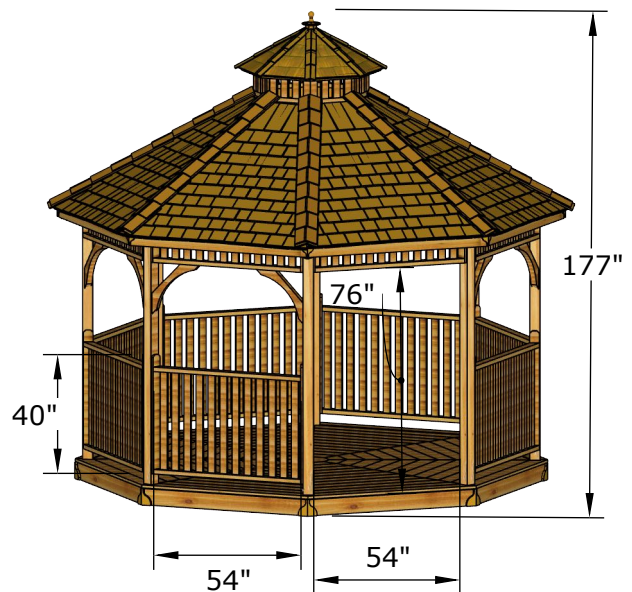
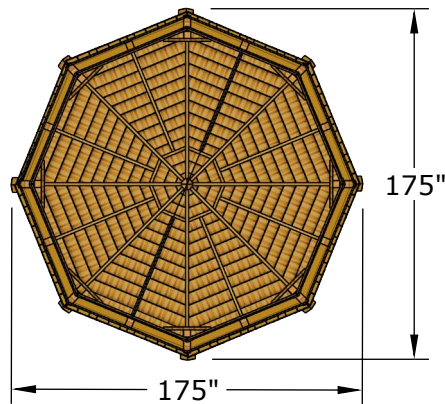


Item# BAY12

**Revised:
March 28, 2025**

SPECIFICATIONS

- A: Footprint = 175" w x 175" h
- B: Height = 177"
- C: Doorway = 76" h x 54" w
- D: Railing Height = 40"
- F: Railing Width = 54"



Shipping Size pkg#1: 52" w x 88" d x 39" h
Shipping Size pkg#2: 48" w x 92" d x 24" h
Shipping Weight pkg#1: 1165 lbs
Shipping Weight pkg#2: 890 lbs