



The added shelter allows you to use your outdoor space comfortably in various weather conditions, extending the usability of your garden or patio throughout the season.

### Kit Includes:

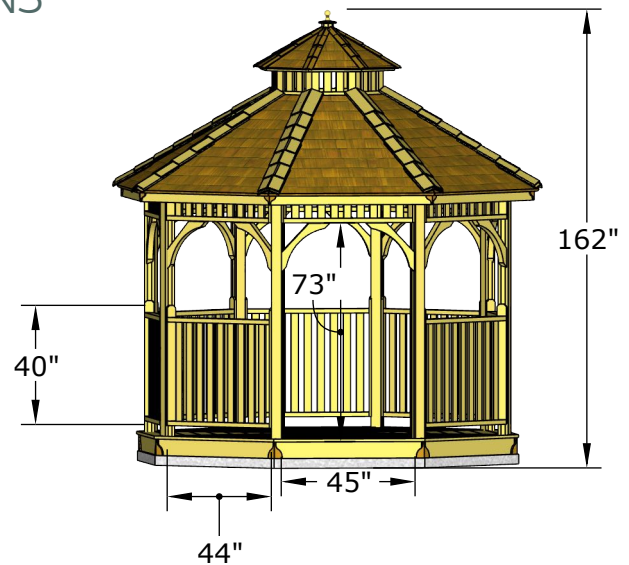
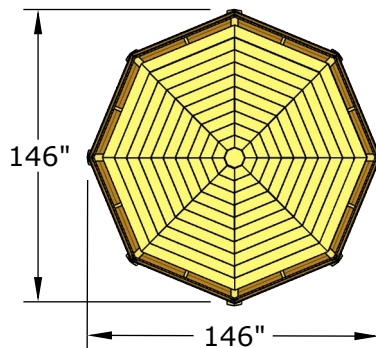
- 83 Cubic Feet Of Space
- Optional Benches
- Optional Screen Kit
- Panelized For Quick Assembly
- Hardware Included (screws and nails)
- Western Red Cedar Construction

Item# BAY10

Revised:  
March 28, 2025

## SPECIFICATIONS

- A: Footprint = 146" w x 146" h
- B: Height = 162"
- C: Doorway = 73" h x 45" w
- D: Railing Height = 40"
- E: Railing Width = 44"



**Shipping Size pkg#1:** 53" w x 88" d x 35" h  
**Shipping Size pkg#2:** 53" w x 89" d x 28" h  
**Shipping Weight pkg#1:** 970 lbs  
**Shipping Weight pkg#2:** 755 lbs